

PROMAX



USERS OPERATING MANUAL RG5410A-E

*Advanced Test Products
Lürriper Str. 62
41065 Mönchengladbach | Germany
Tel: +49 (0)2161 59906-0 Fax: +49 (0)2161 59906-16
www.atp-europe.de ✦ info@atp-europe.de*

TABLE OF CONTENTS

I) Safety precautions	
A) The safe way ist he only way!	1
B) Refrigerant gas recovery & containment	2
II) Important general information	3
III) Operational procedures	
A) Operating your RG5410A-E	4-6
Use of the Low Pressure Switch	6
B) Set-up procedures	7-9
C) Purging the non-condensable gases	10
IV) Diagrams	
A) Part list	11
B) Refrigerant flow diagram	12
C) Wiring diagram	13
V) Safety pressure switch	14
VI) Care and maintenance	15
VII) Technical data	16
VIII) Helpful hints	17-19
IX) Troubleshooting	20

Design specifications and material are subject to change without notice.
REV 08-2013

This manual may not be reproduced in any way, shape or form without express written consent of
Advanced Test Products.

THE SAFE WAY IS THE ONLY WAY!

NOTE! If you are not a qualified refrigerant service technician, do not use this equipment

1. The technician should always wear goggles and gloves when working on refrigeration systems.
2. Be sure that any room where you are working is thoroughly ventilated,
3. Always think before acting. Familiarity breeds carelessness and carelessness can be harmful to your health or, worse, result in death.
4. Read the Material Safety Data Sheets (MSDS) on all compounds with which you are likely to come in contact. Read MSDS on refrigerant and refrigerant oil. Obtain MSDS sheets from your refrigerant supplier.
5. Never use oxygen when testing for leaks. Any oil in contact with oxygen under pressure will form an explosive mixture.
6. Refrigerant systems are generally electrically driven and controlled. Be sure to disconnect the unit from the power source before servicing it.
7. Always store refrigerant containers in a cool, dry place.
8. Always open service and cylinder valves slowly. This allows quick control of the flow of gasses if there is any danger. Once it is determined that there is no danger, the valves may be opened fully.
9. Do not mix refrigerant in a system, a tank or anywhere else. Each type of refrigerant must have its own tank, filters, etc.
10. If moisture enters the refrigerant system, it is likely to cause considerable damage. Keep everything connected with the refrigeration system thoroughly dry and clean.
11. To reduce the risk of fire, avoid the use of extension cords as they may overheat. If you must use an extension cord it should be a minimum of 14 AWG and not longer than 25ft.
This equipment should be used in locations with mechanical ventilation providing at least four air changes per hour, or the equipment should be located at least 45cm (18") above the floor. Do not use this equipment in the vicinity of spilled or open containers of gasoline or any other flammable liquid.

REFRIGERANT GAS RECOVERY & CONTAINMENT

Safety comes first. Read all safety information for the safe handling of refrigerant including the Material Safety Data Sheet provided by your refrigerant supplier. Never operate unit in an explosive environment. Wear safety glasses and protective gloves. Work area must be well ventilated. This unit should only be operated by a qualified technician.

***** CAUTION: REFRIGERANT STORE CONTAINERS *****











Use only approved cylinders with a minimum of **41 bar** working pressure that serve the current regulations.

NOTE: Recovery cylinders are designed for different pressures. **Do not** exceed the working pressure of each cylinder.

Safety codes recommend that closed tanks not be filled over 80% of volume with liquid. The remaining 20% is called head pressure room.

NEVER TRANSPORT AN OVERFILLED CYLINDER.

Refrigerant expands when it gets warm and may cause a tank to explode if overfilled.

CYLINDER TEMP.	16 °C	21 °C	38 °C	54 °C	66 °C
STARTING WITH CYLINDER 80% FULL BY VOLUME					
SPACE OCCUPIED BY LIQUID	80 %	81%	83%	90%	94%
STARTING WITH CYLINDER 90% FULL BY VOLUME					
SPACE OCCUPIED BY LIQUID	90%	92%	96%	100%	EXPLOSION

IMPORTANT GENERAL INFORMATION

Before operating the RG5410A-E recovery unit, read the following:

1. Always isolate large amounts of refrigerant and close off valves after use so if a leak should develop anywhere in the system the refrigerant does not escape.
2. Storage cylinders sometimes have valves that are not properly seated when manufactured. Keeping caps on these valves will guard against refrigerant leakage.
3. Always operate the unit on a flat level surface.
4. Your RG5410A-E has one internal high-pressure shut-off switch. If the pressure inside the system should go above 38,5 bar (550 psi), the system will automatically shut itself off.

CAUTION

The 38,5 bar (550 psi) switch does not prevent tank overflow. If your system shuts off on high pressure and is connected to your tank, you may have overfilled your tank and created a very dangerous situation! Take immediate measures to relieve any high pressure and/or tank overflow.

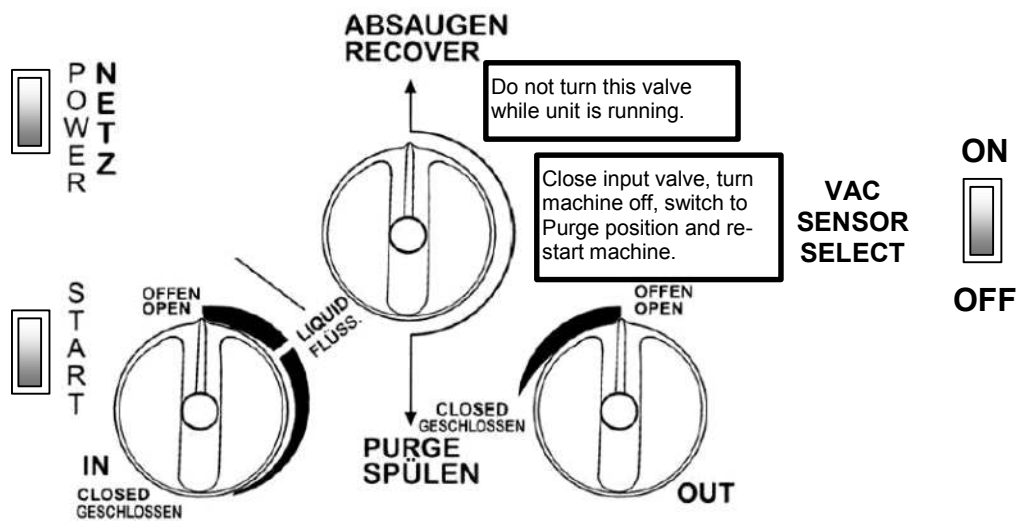
5. **WARNING!** Never overfill storage tanks. Overfilling may cause tanks to explode.
6. A scale must be used to avoid overfilling the storage tank.
7. Tanks and filters should be designated for one refrigerant only. Before using a tank previously used for another refrigerant, completely empty the tank, evacuate it, purge the tank using dry nitrogen, and re-evacuate it.
8. Special care should be taken when recovering from a burned-out system. Use two high acid capacity filters, in series. Alco type EK-162-F or Sporlan type C-162-F are recommended.
9. When you have finished recovering from the system, flush your RG5410A-E with a small amount of refrigerant oil and a small amount of clean refrigerant to purge off any foreign substances left in the unit.
10. Always empty refrigerant from the unit into a storage tank; see Self Purge/Auto Evacuate procedure. Liquid refrigerant left in the condenser may expand, causing damage to components.

OPERATING YOUR RG5410A-E

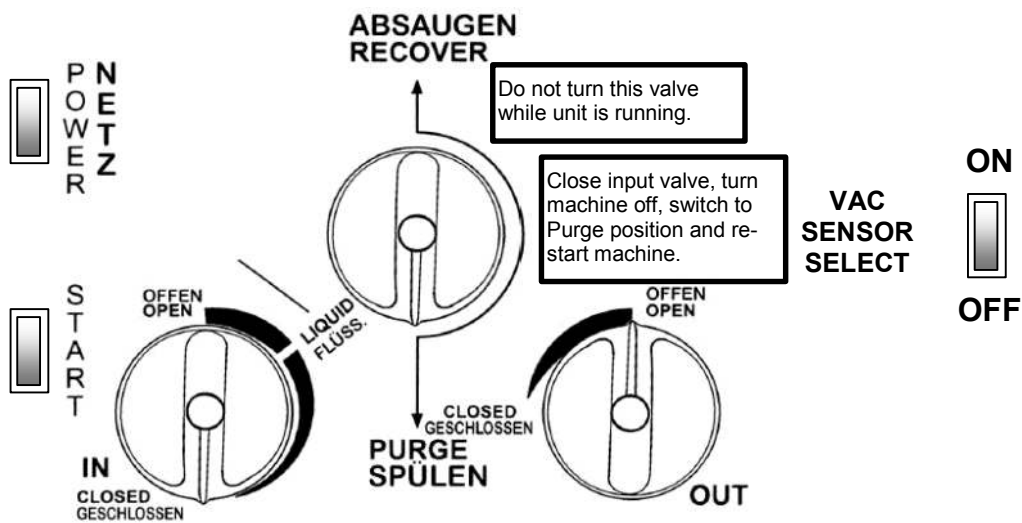
Connect your RG5410A-E to a 230 V outlet. Switch the main power switch to the ON position. You should hear the fan running. Press the compressor start switch. This "momentary" switch will start the compressor. It may be necessary, under certain circumstances, to press this switch more than once to start the compressor.

OPERATIONAL PROCEDURES

NORMAL RECOVERY



SELF PURGE / AUTO EVACUATE



NOTE: To change from Recovery mode to Purge: Close the Input port, turn the unit off (to prevent high pressure shutoff), switch to Purge position and restart the unit.

OPERATING YOUR RG5410A-E

Procedure for Normal System Recovery

1. Inspect the RG5410A-E thoroughly to insure that it is in good operating condition.
2. Make sure all connections are correct and tight.
3. Open the liquid port of the recovery cylinder (always open valves slowly to check hoses and connections for leaks).
4. Make sure the Recover/Purge valve is set on Recover.
5. Open the output port of the RG5410A-E.
6. Open the liquid port on the manifold gauge set; opening the liquid port will remove the liquid from the system first, greatly reducing the recovery time (after the liquid has been removed, open the manifold vapor port to finish evacuating the system).
7. Connect your RG5410A-E to a 230 V outlet.
 - a) Switch the main power switch to the ON position. You should hear the fan running.
 - b) Press the compressor start switch. This "momentary" switch will start the compressor (it may be necessary, under certain circumstances, to press this switch more than once to start the compressor).
8. Slowly open the input port on the RG5410A-E.
 - a) If the compressor starts to knock, slowly throttle back the input valve until the knocking stops.
 - b) If the input valve was throttled back, it should be fully opened once the liquid has been removed from the system (the manifold vapor port should also be opened at this time).
9. Run until minimum EPA required vacuum is achieved.
 - a) Close the manifold vapor and liquid ports.
 - b) Close the RG5410A-E input port.
 - c) Shut unit off and proceed with the Self Purge procedure on the next page.
10. Always purge the RG5410A-E after each use. Failure to purge the remaining refrigerant from the RG5410A-E could result in the acidic degradation of internal components, ultimately causing premature failure of the unit.

CAUTION

When pumping liquid, do not allow the RG5410A-E to operate with the input valve too far open, causing the compressor to knock. Doing so may stall the compressor.

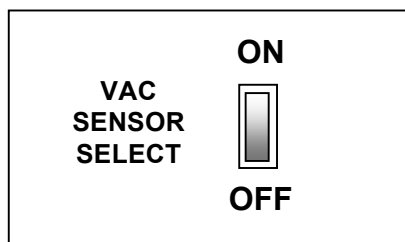
OPERATING YOUR RG5410A-E

Procedure for Purging Remaining Refrigerant From the RG5410A-E

1. Close the ports of the system being serviced that are connected to the input port of the RG5410A-E.
2. Close the input port on the RG5410A-E.
3. Turn off RG5410A-E.
4. Turn the Recover/Purge valve to the purge position.
5. Restart the RG5410A-E.
6. Run until desired vacuum is achieved.
7. Close the ports on the recovery tank and the RG5410A-E.
8. Turn the RG5410A-E off.
9. Return the Recover/Purge valve to the recover position.
10. Disconnect and store all hoses.
11. Replace the in-line filter on your RG5410A-E after every time excessive contaminant is encountered.

The use of the Low Pressure Switch

The RG5410A-E is equipped with a low pressure switch which is selectable ON/OFF (VAC SENSOR SELECT). When the low pressure switch is switched ON the unit will automatically switch off at 0,45 bar absolute. When the Low pressure Switch is switched OFF the unit will continue to pump down the system even when the vacuum stage has been reached.



RG5410A-E REFRIGERANT RECOVERY ADDITIONAL INFORMATION

To achieve the deepest final vacuum, use the tank cooling method to lower the head pressure on the recovery tank. Repeat as necessary to achieve the desired vacuum level.

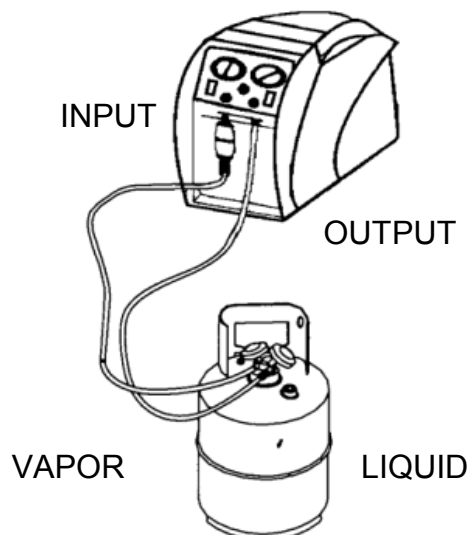
NOTE: If there is no liquid in the recovery tank, then the cooling method will not work. In this case, use an empty tank that has been fully evacuated to achieve the final vacuum level required.

To maximize recovery rates use the shortest possible length of 3/8" or larger hose. A hose no longer than 3'0" is recommend. Always remove all unnecessary hose core depressors and Schrader valves from port connections (using the proper valve core tool) for maximum throughput. Deformed rubber seals and core depressors in hoses and faulty or unnecessary Schrader valves can restrict flow by up to 90%.

If the tank pressure exceeds 31,5 bar, use the tank cooling procedure to reduce the tank pressure. When recovering large amounts of liquid, use the "PUSH/PULL" method of recovery (see diagram below).

CAUTION: When using the "PUSH/PULL" method, you must use a scale to prevent overfilling the storage tank. Once the "PUSH/PULL" siphon is started, it can continue and overfill the storage tank even if the tank is equipped with a float level sensor. The siphon can continue even when the machine is turned off. You must manually close the valves on the tank and the unit to prevent overfilling the recovery tank.

SET-UP DIAGRAM FOR TANK PRE OR SUB COOLING PROCEDURE



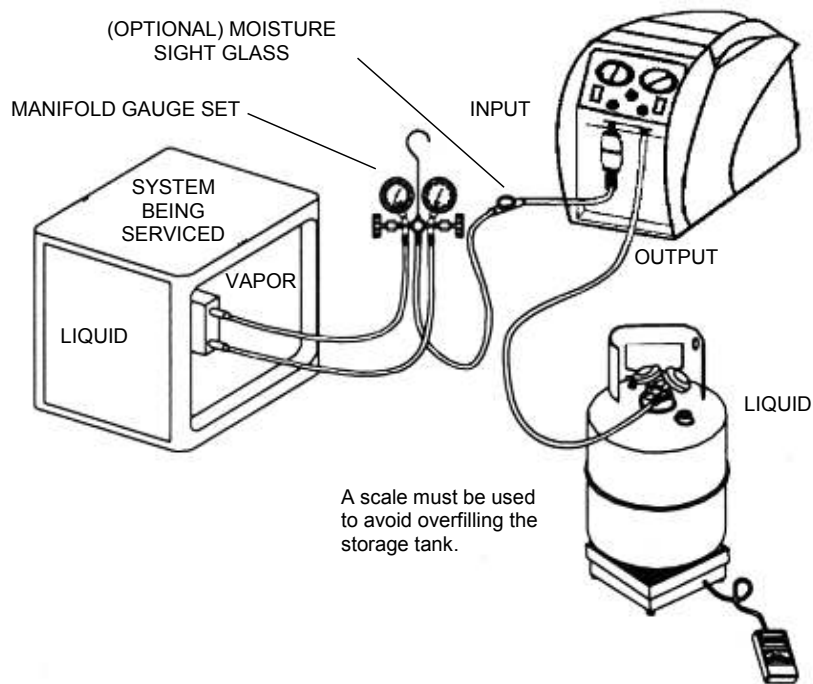
To start you must have a minimum of 2,5 kg of liquid refrigerant in the tank.

Throttle the output valve so that the output pressure is 7 bar (100 psi) greater than the input pressure, but never more than 31,5 bar (450 psi).

Run until the tank is cold.

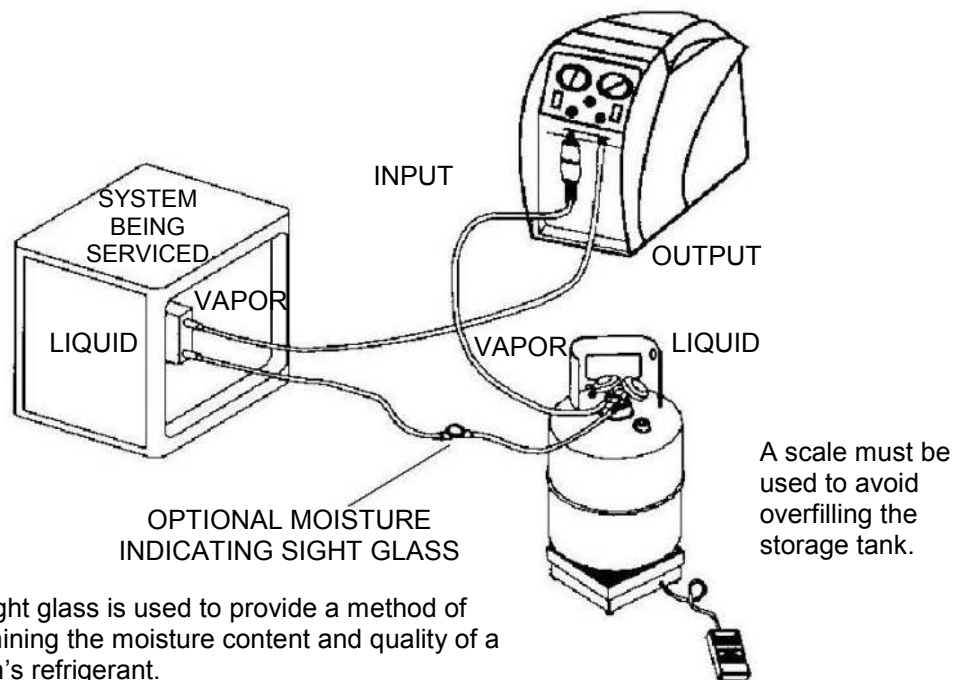
SET-UP DIAGRAM FOR REFRIGERANT RECOVERY

This method is the fastest method for recovering vapor refrigerant.

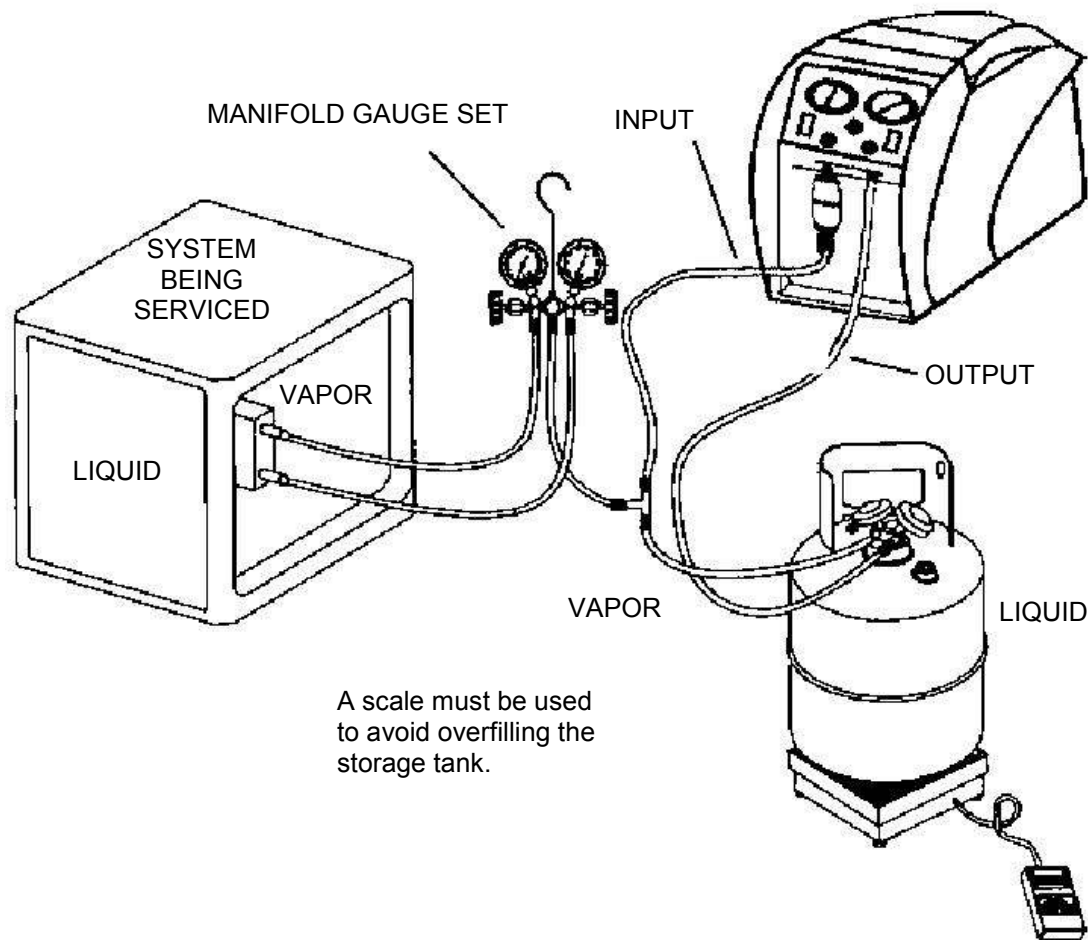


SET-UP DIAGRAM FOR “PUSH/PULL” METHOD

Push pull only works with large systems where the liquid is readily accessible. Do not use this method on systems that contain less than 15 pounds as it may not work.



OPTIONAL RECOVERY / TANK PRE OR SUB COOLING FOR FIXED HOSE SET UP

**Normal recovery:**

Tank Vapor valve is closed.

Tank pre or sub cooling:

Tank Vapor valve is open and both Manifold Gauge Set valves are closed. Follow above procedure.

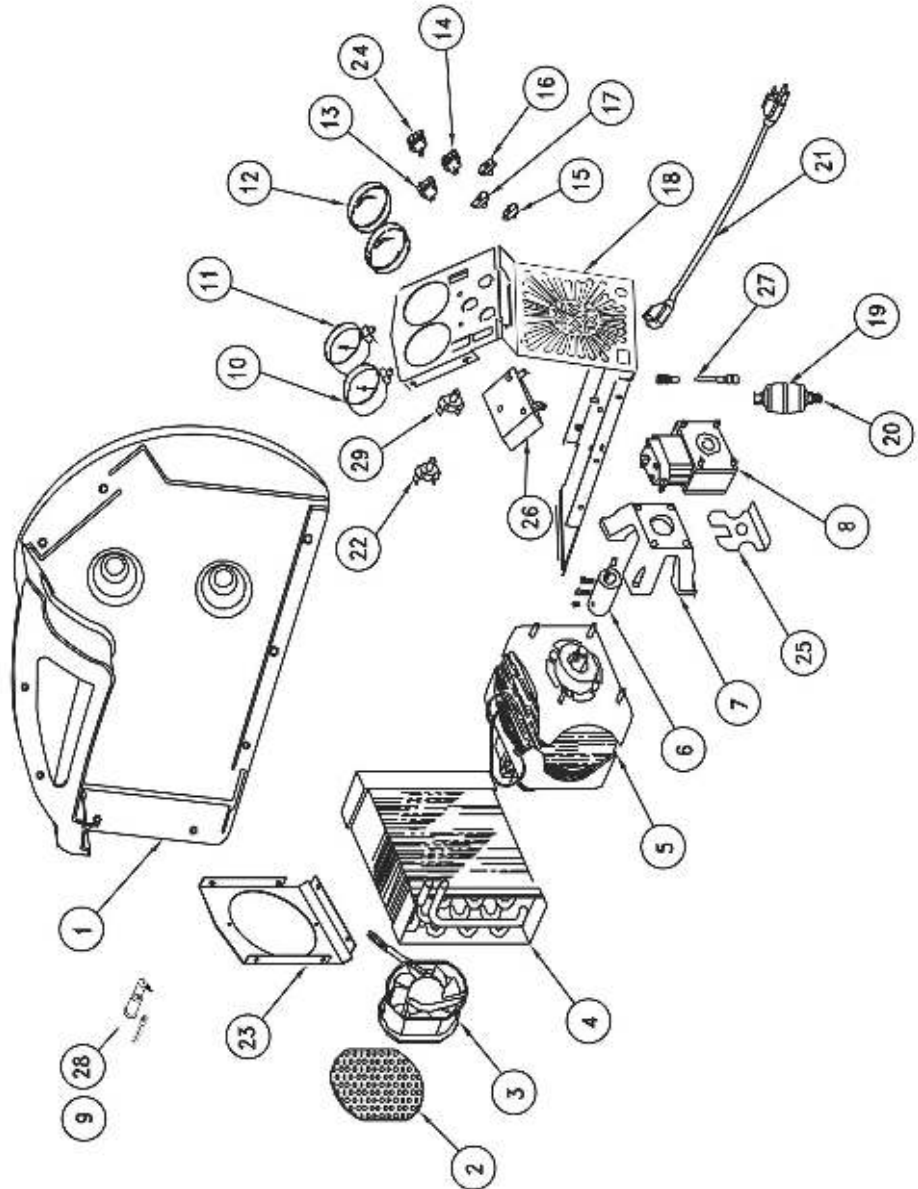
RG5410A-E RECOVERY

Purging the non-condensable gasses from identified refrigerant in a tank

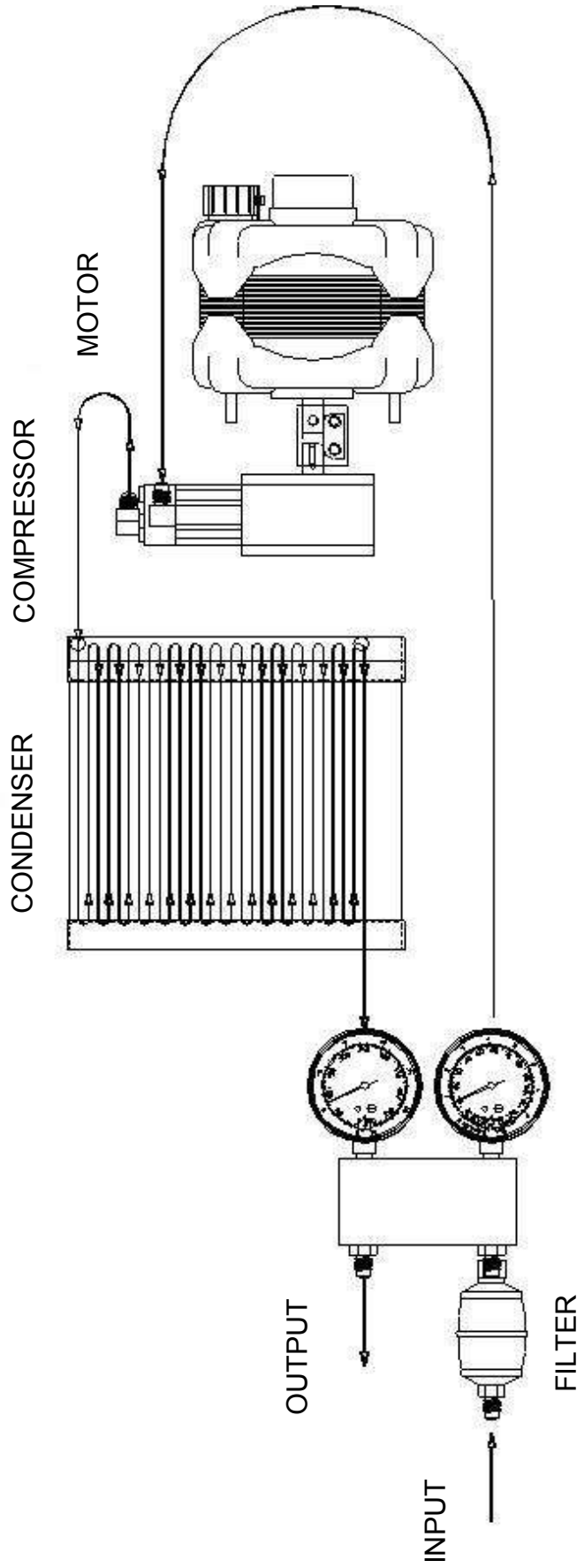
1. Allow the tank to sit undisturbed for 24 hours. (This allows the air to rise to the top).
2. Connect a manifold to the tank and read the amount of pressure in the tank by looking at the output pressure gauge.
3. Determine the ambient temperature in the room.
4. Refer to a Refrigerant pressure/temperature chart. Find the temperature on the chart and look across to the corresponding pressure for the type of refrigerant in the tank. Determine how that relates to the reading on the gauge.
5. If the pressure reading is higher than the pressure shown on the chart, very slowly (so as not to cause turbulence inside the tank) crack open the vapor port valve. Watch the pressure on the gauge decrease. To prevent venting, add 0,3 - 0,35 bar (4 - 5 psi) to the pressure shown on the chart. When the gauge corresponds to that pressure, close the vapor port valve.
6. Allow the tank to sit for 10 minutes and check the pressure again.
7. Repeat the process again if necessary.

PARTS LIST RG5410A-E

Pos.	Description	Part No.
1	Plastic case	100134 L&R
2	Fan grill	100505
3	Axial fan	EL1818
4	Condenser	CD1201
5	Motor	EL1822
6	Coupler	525209
7	Bell housing	CP1001
8	Compressor	CP1320
9	Fuse – 5x20mm	110-200347-001
10	Input gauge	GA1500
11	Output gauge	GA0800
12	Gauge lens	GA1000
13	ON/OFF switch	EL1310
14	Start switch	EL1309
15	Blue knob	100123
16	Red knob	100124
17	Black knob	100122
18	Frontpanel	110-200395-001
19	Filter	100343
20	Flare cap	NB6501
21	Powercord	135-200341-001
22	High Pressure switch	100339
23	Rear panel	100318
24	Select Switch	105-200396-001
25	Compressor Bracket	100207
26	Manifold	535395ASM
27	Hose 4"	100345
28	Fuse holder	100419
29	VAC Sensor	113726



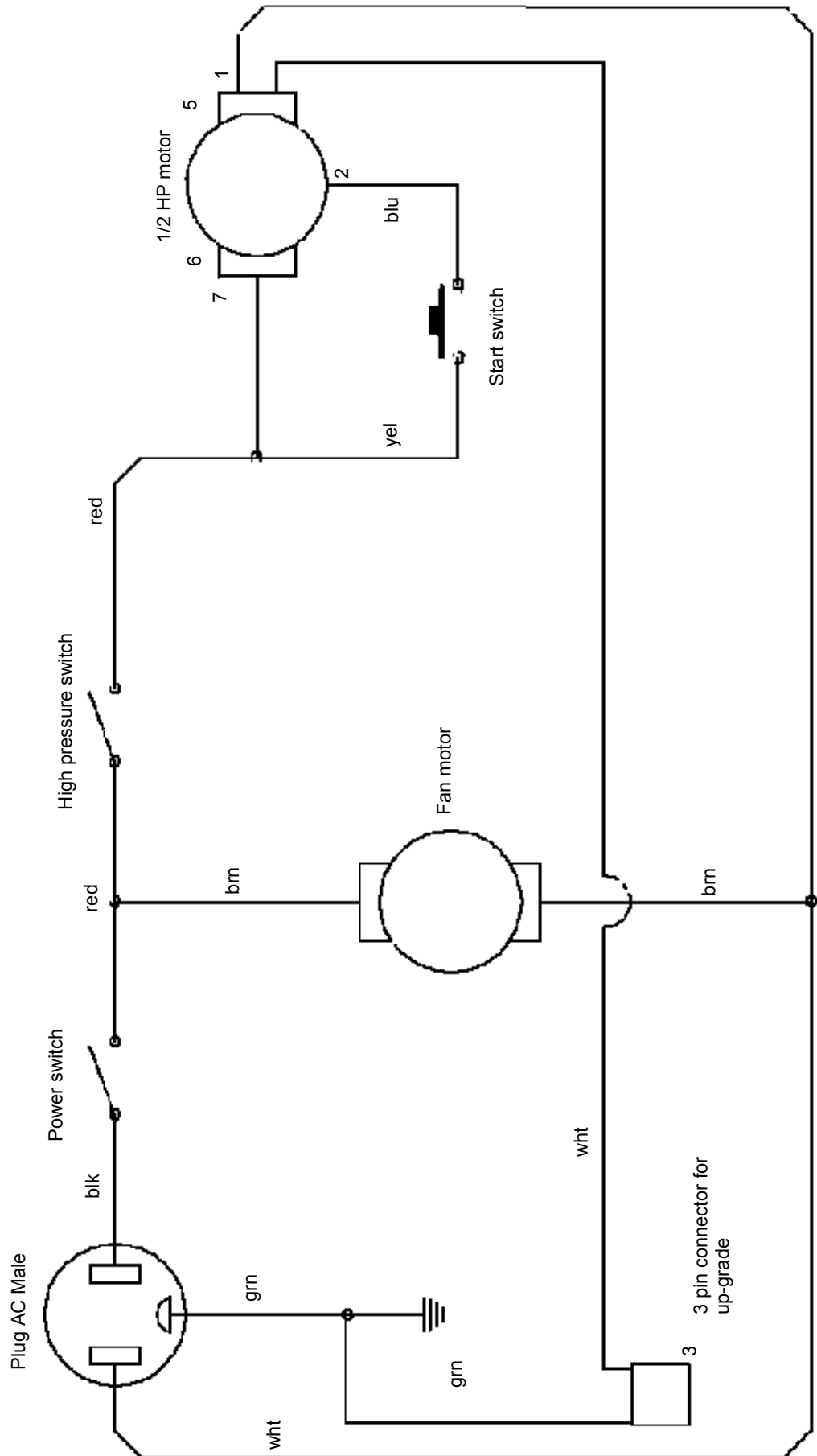
REFRIGERANT FLOW DIAGRAM



NOTE: A filter must always be used. Failure to use a filter will invalidate your warranty. The use of a filter will greatly reduce the risk of damage to your RG5410A-E by preventing foreign material from entering the unit.

Special consideration for filtration must be given when you know you are servicing a machine that has "Burned Out". We recommend the use of two size 162 filter driers, in line, to be used for that job and that job only.

RG5410A-E WIRING DIAGRAM



SAFETY PRESSURE SWITCH (WITH MANUAL RESET FUNCTION)

The RG5410A-E is equipped with an internal Safety Pressure Switch. If the pressure inside the system exceeds 38,5 bar, the system is switched off automatically.

If the Safety Pressure Switch is activated automatically whilst filling a bottle, it could be caused by the bottle becoming overfilled.

This is a very dangerous situation! You should take steps immediately to reduce the overpressure and/or to eliminate the overfilling of the bottle.

If the Safety Pressure Switch switches the unit off...

The following precautions should be taken if the Safety Pressure Switch is activated:

a) Suspected overfilling of the recovery bottle

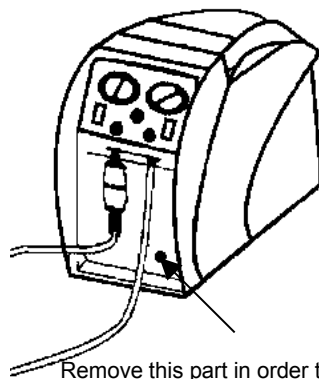
Connect the recovery bottle to another bottle with spare capacity so that the pressure is reduced to a safe level. This action should also reduce the pressure in the output line from the RG5410A-E. Proceed as normal after resetting the Safety Pressure Switch (see below).

b) Cause of activation of Safety Pressure Switch unknown

- 1) Check that the recovery bottle is not overfilled.
- 2) Close the system valves, recovery bottle valves and RG5410A-E valves.
- 3) Disconnect RG5410A-E from flexible pipes.
- 4) Disconnect RG5410A-E from the power supply.
- 5) Open the input and output valves very slowly.
- 6) Investigate the reason for the failure.

Once activated the Safety Pressure Switch has to be reset manually as follows:

- I) Remove the black protection cover to reveal the reset button (see picture below).
- II) Reset by pushing the reset button with a tool such as a screwdriver.
- III) Replace the cover.



CARE AND MAINTENANCE OF YOUR RG5410A-E

A filter must always be used and should be replaced frequently. Failure to use a filter will invalidate your warranty. The use of a filter will greatly reduce the risk of damage to your RG5410A-E by preventing foreign material from entering the unit.

Special consideration for filtration must be given when you know the machine you are servicing has "burned out". We recommend the use of two size 162 filter driers, in line, to be used for that job and that job only. We also recommend that a clean filter be used for every service job. Each filter should be labeled and used exclusively for one type of refrigerant only.

Do not use this unit in the vicinity of spilled or open containers of gasoline or other combustible liquids

Avoid the use of extension cords. If you must use an extension cord it should be a minimum of 14 AWG and not longer than 25 ft. Not using an extension cord will greatly reduce the risk of fire.

Always purge the unit of any refrigerant left after completing a service job. Refrigerant left in the machine can expand and may cause damage to components.

If the unit is to be stored or not used for any length of time, we recommend that it be completely evacuated of any residual refrigerant and purged with dry nitrogen.

Whenever you perform any type of maintenance work on your RG5410A-E, insure that it is disconnected from the power supply before you begin.

TECHNICAL SPECIFICATIONS

Type	RG5410A-E
Application	Refrigerant recovery Gas or Vapor
Suitable refrigerants	R12, R22, R134A, R401A, R401B, R401C, R402A, R402B, R404A, R406A, R407A, R407B, R407C, R407D, R408A, R409A, R410A, R411A, R411B, R412A, R500, R502, R507, R509
Power Source	230V / 50 Hz
Power	380 W
Dimensions	330 x 229 x 483 mm
Weight	14,5 kg
RPM's	1437 U/min
Max. working pressure	550 p.s.i. (38,5 bar)
Fuse	5x20mm, slow blow, 8A 250V
Safety Device	Safety pressure switch type P100 DA with manual reset (550 p.s.i. / 38,5 bar)

ATTENTION

The RG5410A-E should not be used with inflammable gases nor with gases containing ammonia.

HELPFUL HINTS FOR REFRIGERANT RECOVERY

Refrigerant recovery has come a long way in a few short years.

On the surface it's simply the process of taking refrigerant out of a system and putting it into a tank. However, this simple process can quickly become problematic if a few items are overlooked. The following are some tips and pointers we've accumulated over the last few years that can save you time and make the process go smoother.

First you need to identify the refrigerant type and quantity in the system you are servicing.

If you determine it's a burnout, you need a special tank (a tank that's identified as containing burnout or other unidentified gases), and you need to use extra filtration prior to recovery.

If, on the other hand, you know the gas in the system is relatively clean or new, then a new tank should be used. If you're planning on putting the refrigerant back into the same system after you have finished the service or if the refrigerant is going to be reclaimed, then use a tank that has the same refrigerant in it. A word of caution about the Environmental Protection Agency (EPA): If you use a variety of refrigerant gasses in your service work - as evidenced by your refrigerant purchases - and you only own one tank, you are asking for trouble. You would be well advised to own at least one tank for every refrigerant type serviced, plus an extra for burnouts and other unknowns.

Planning Ahead

Knowing the quantity of refrigerant is important for planning storage requirements, as well as planning for the actual recovery. For instance, any system with more than 5lbs. of refrigerant is likely to have areas where the liquid can get trapped.

The key to a quick recovery procedure is to get the liquid out first, and then get the remaining vapor out. However most systems are not "recovery friendly." That is they don't have access ports at their lowest points. If some units you're servicing are on maintenance contracts, you would save significant time by installing access ports at all of the lowest points in the system, where liquid is likely to accumulate. Since most systems don't have these ports you need to be prepared to boil off the trapped liquid with a heat gun, when ever it's found. An indicator of trapped liquid in a system is frost or condensation forming on the plumbing or components where the liquid is trapped. The trapped liquid may be in an area that is not visible. In all cases trapped liquid in a system during recovery causes the recovery process to slow down, regardless of the size or type of machine

If you are unable to locate the trapped liquid (but you know it's there, because the recovery job is taking "forever"), turn on the system compressor (if it's operable) for a few seconds. This will get the refrigerant moving to another part of the system and in.

HOSES AND VALVES

Hoses and Schrader valves have a large impact on recovery speed. In general, the larger the hose, the less friction on the flow of refrigerant and the quicker the recovery time. Many contractors are now using 3/8" lines for the input to the recovery machine, even if those lines originate out of 1/4" fittings.

Schrader valves must be removed from the connection prior to an expedient recovery. Most wholesalers sell a tool for removing these cores, while keeping the connection sealed. The core depressor, in the end of the hose, should also be removed. These two items can turn a 20 minute job into one that goes on for hours. So, be sure to remove Schrader valves and core depressors before every recovery job.

Another hose consideration is the little rubber grommet at the end of the hose that makes a seal with the flare fitting. We've seen these seals so worn and deformed that when the hose is connected to the flare fitting the grommet virtually seals off the the connection. This is probably never noticed in charging, because the pressure opens the grommet, but during recovery (or with suction) the deformed grommet severely restricts the flow of refrigerant.

Refrigerant Recycling

Current regulations state that used refrigerant shall not be sold, or used in a different owner's equipment, unless the refrigerant has been laboratory analyzed and found to meet the requirements of ARI 700 (latest edition). As a result, recycling and verifying ARI 700 conformance isn't economically justified in most cases. It's still a great idea to do as much cleaning of refrigerant going back into the same system (or owners system) as possible. We recommend using the largest, high-acid capacity filter that are economically feasible. Put these filters on the suction or inlet side of the recovery unit. Change filters often.

The recovery of large amounts of liquid refrigerant can sometimes carry with it large quantities of oil, if the system being serviced doesn't have an adequate oil separator installed. If this recovered refrigerant isn't going to be liquid charged back into the same system, you might want to separate the refrigerant from the oil in order to measure the oil (to know how much oil to charge back into the system). However refrigerant sent back for reclaim does not need to have the oil removed. One of the simplest and most cost effective ways to achieve this is to use a 30 or 50 lb. tank in line with your recovery machine. Connect the the system to the liquid port of the tank then from the vapor port of the tank connect to the input of your recovery machine a second tank, for storing refrigerant, should then be connected to the output of the recovery machine. If you encounter large amounts of liquid you will need to put a band heater around the first tank.

When the recovery job is complete the oil can be removed, from the first tank, by applying a small amount of pressure, using nitrogen, to one of the ports and expressing the oil from the other. If you are going to remove the oil from the vapor port you will need to turn the tank upside down. Always wear safety glasses when performing this operation as the oil may be acidic and could cause severe burning.

KEEPING THE DIRT OUT

During the recovery process your recovery machine can be exposed to debris that can, potentially, damage it. Including brazing spatter and copper and brass slithers. Further contamination can be introduced from the refrigerant storage tanks. To prolong the life of your recovery machine always use an in-line filter. Whenever you are charging a system from a recovery cylinder it is a good idea to use an in-line filter to protect the system from contamination. Again, change your in-line filters often.

Getting the Liquid Out (See “Push/Pull-Method”)

Push-pull is a method of removing bulk liquid from a system using the pressure differential created by the recovery machine. Push-pull will generally not work on smaller systems because there is no bulk liquid reservoir to create a siphon from. Push-pull is mostly used on systems with a receiver tank or those with greater than 20 lbs. of refrigerant, or when transferring from one tank to another. The rate of liquid transfer is very much dependent on hose size, with larger hoses providing much better throughput.

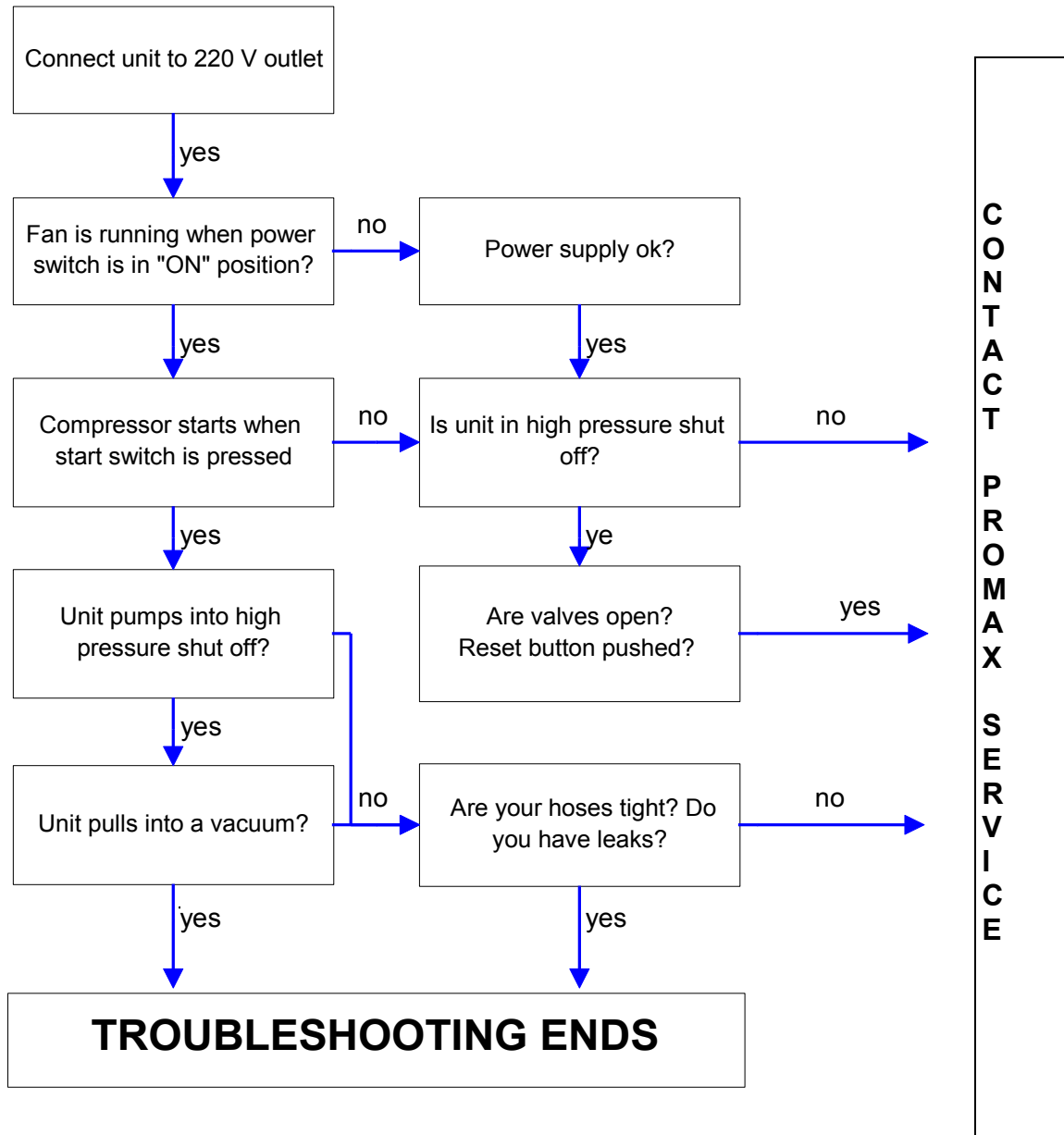
Another trick is to chill the tank, if it's partially filled, prior or during recovery. This operation will lower the pressure in the storage tank and therefore speed up recovery. There must be a minimum of 5 lbs of liquid refrigerant in the tank you wish to chill. This operation can be performed prior to or during the recovery. See the two set up diagrams and procedures on page 8 of this manual.

There is nothing magic here, you are simply using your recovery machine to make a refrigerator where the tank is the evaporator. By throttling the output valve, you're effectively creating a capillary tube or an expansion device, but you need to adjust the backpressure to suit the conditions and the refrigerant. Five to ten minutes of chilling can produce some very dramatic tank cooling, depending on the conditions. If there are any non-condensable in the tank this process will not work. Also the greater the quantity of refrigerant in the tank the longer the process will take.

TROUBLESHOOTING YOUR RG5410A-E

The safe way is the only way

Read and understand all safety information contained in this manual before servicing the unit.



PROMAX



BENUTZERHANDBUCH RG5410A-E

INHALTSVERZEICHNIS

I) Sicherheitshinweise	
A) Sicherheit ist oberstes Gebot	1
B) Kältemittelabsaugungs- und Serviceverfahren	2
II) Wichtige allgemeine Informationen	3
III) Betriebsverfahren	
A) Betrieb des RG5410A-E	4-6
Gebrauch des Niederdruckschalters	6
B) Aufbau / Anschluss	7-9
C) Evakuierung der nicht kondensierbaren Gase	10
IV) Pläne und Listen	
A) Teileliste	11
B) Kältemittel-Flussdiagramm	12
C) Schaltplan	13
V) Sicherheitsdruckbegrenzer (SDBK)	14
VI) Pflege und Wartung	15
VII) Technische Daten	16
VIII) Nützliche Hinweise zur Kältemittelabsaugung	17-20
IX) Störungssuche	21
X) Garantie	22

Irrtum sowie Änderungen der technischen Daten und Materialien ohne vorherige Ankündigung vorbehalten.

Dieses Handbuch darf ohne ausdrückliche schriftliche Genehmigung von ADVANCED TEST PRODUCTS auf keinerlei Weise und in keiner Form vervielfältigt werde.

SICHERHEIT IST OBERSTES GEBOT

HINWEIS: Nur sachkundige, im Umgang mit Kältemitteln geschulte Personen dürfen dieses Gerät bedienen.

1. Bei Arbeiten an Kälteanlagen sind stets Schutzbrille und Handschuhe zu tragen.
2. Die Räume, in denen das Gerät betrieben wird, müssen gut belüftet sein, vor allem bei Verdacht auf ein Leck. Kältemitteldämpfe sind gesundheitsschädlich und möglicherweise tödlich.
3. Zuerst denken, dann handeln! Vertrautheit mit einem Gerät verführt zu Unaufmerksamkeit, und Unaufmerksamkeit kann zu Gesundheitsschäden oder gar zum Tode führen.
4. Lesen Sie die Sicherheitsdatenblätter sämtlicher Verbindungen durch, mit denen Sie in Kontakt kommen können. Lesen Sie die Sicherheitsdatenblätter des Kältemittels und Kältemaschinenöls. Sicherheitsdatenblätter können Sie von Ihrem Kältemittellieferanten anfordern.
5. Verwenden Sie niemals Sauerstoff zur Prüfung auf Lecks. Jede Art von Öl, die in Kontakt mit unter Druck stehendem Sauerstoff gelangt, ergibt eine explosive Mischung.
6. Kälteanlagen werden im allgemeinen elektrisch betrieben und gesteuert. Trennen Sie die Anlage vor der Ausführung von Wartungsarbeiten vom Netz.
7. Kältemittelbehälter sind stets an einem kühlen, trockenen Ort aufzubewahren.
8. Service- und Flaschenventile sind stets langsam zu öffnen. Besteht eine Gefahr, kann der Gasfluß schnell unterbunden werden. Steht fest, daß keine Gefahr besteht, können die Ventile vollständig geöffnet werden.
9. Unterschiedliche Kältemittel dürfen weder in Anlagen noch in Flaschen noch sonstwo gemischt werden. Für jedes Kältemittel ist eine eigene Flasche, ein eigener Filter usw. erforderlich.
10. Tritt Feuchtigkeit in eine Kälteanlage ein, kann dies beträchtliche Schäden verursachen. Sämtliche Teile der Kälteanlage sind stets trocken und sauber zu halten.
11. Um das Risiko von Bränden zu verringern sollten Sie keine Verlängerungskabel verwenden, da sich diese überhitzen können. Sollte es jedoch unumgänglich sein, ein Verlängerungskabel zu verwenden, so sollte dieses ein Minimum von 14 AWG besitzen (Querschnittsfläche Kabel: 2 mm²) und nicht länger als 7,5m sein. Dieses Gerät darf in Räumen eingesetzt werden, bei denen durch mechanische Lüftungsmaßnahmen mindestens vier Luftwechsel in der Stunde gewährleistet sind, oder das Gerät muß sich mindestens 45 cm oberhalb des Bodens befinden. Dieses Gerät darf nicht in der Nähe von verschüttetem Benzin oder offenen Behältern mit Benzin oder anderen brennbaren Flüssigkeiten eingesetzt werden.

RG5410A-E

KÄLTEMITTELABSAUGUNGS- UND SERVICEVERFAHREN

Sicherheit steht an erster Stelle. Lesen Sie alle Sicherheitsinformationen zur sicheren Handhabung von Kältemitteln sowie die Sicherheitsblätter Ihres Kältemittellieferanten durch. Der Betrieb des Gerätes in explosionsgefährdeten Umgebungen ist unzulässig. Tragen Sie stets Schutzbrille und Schutzhandschuhe. Das Gerät darf nur in gut belüfteten Räumen betrieben werden. Nur sachkundige, im Umgang mit Kältemitteln geschulte Personen dürfen dieses Gerät bedienen.

*** VORSICHT: KÄLTEMITTELFLASCHEN ***




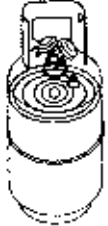
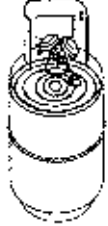


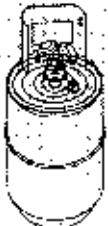
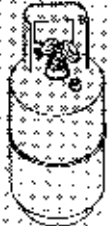

Nur zugelassene und geprüfte, den relevanten Normen entsprechende Flaschen mit einem zulässigen Betriebsdruck von mindestens **41 bar** dürfen verwendet werden.

HINWEIS: Kältemittel- und Recyclingflaschen sind für unterschiedliche Drücke ausgelegt. Der Arbeitsdruck der Flaschen darf **nicht** überschritten werden.

Die Sicherheitsvorschriften empfehlen, geschlossene Flaschen zu nicht mehr als 80% ihres Volumens mit Flüssigkeit zu füllen. Die restlichen 20% werden als Kopfraum bezeichnet.

DER TRANSPORT ÜBERFÜLLTER KÄLTEMITTELFLASCHEN IST UNZULÄSSIG.

Kältemittel dehnen sich bei Erwärmung aus – überfüllte Flaschen können bersten.

FLASCHENTEMP.	16 °C	21 °C	38 °C	54 °C	66 °C
AUSGANGS-FÜLLUNG 80 VOL%					
FLÜSSIGKEITS-FÜLLGRAD	80 %	81 %	83 %	90 %	94 %
AUSGANGS-FÜLLUNG 90 VOL%					
FLÜSSIGKEITS-FÜLLGRAD	90 %	92 %	96 %	100 %	

WICHTIGE ALLGEMEINE INFORMATIONEN

Vor Betrieb des Absaugerätes RG5410A-E sind unbedingt folgende Informationen durchzulesen:

1. Große Kältemittelmengen sollten isoliert werden, und nach Gebrauch sollten die Ventile geschlossen werden, so daß im Falle eines Lecks in der Anlage kein Kältemittel austreten kann.
2. Neue Kältemittelflaschen werden in einigen Fällen mit nicht richtig sitzenden Ventilen geliefert. Kappen auf solchen Ventilen können das Austreten von Kältemittel verhindern.
3. Das Gerät ist stets auf einer ebenen Fläche zu betreiben.
4. Das RG5410A-E ist mit einem internen Sicherheitsdruckbegrenzer ausgerüstet. Überschreitet der Druck im System 38,5 bar, wird das System automatisch abgeschaltet.

ACHTUNG

Auch ein Sicherheitsdruckbegrenzer (SDBK) kann die Überfüllung der Flasche nicht verhindern. Wird das System bei hohen Drücken abgeschaltet und ist mit einer Flasche verbunden, wurde die Flasche möglicherweise überfüllt. Dies ist ein äußerst gefährlicher Zustand ! Maßnahmen zum Abbau des Überdrucks und/oder zur Beseitigung der Überfüllung sind sofort zu treffen.

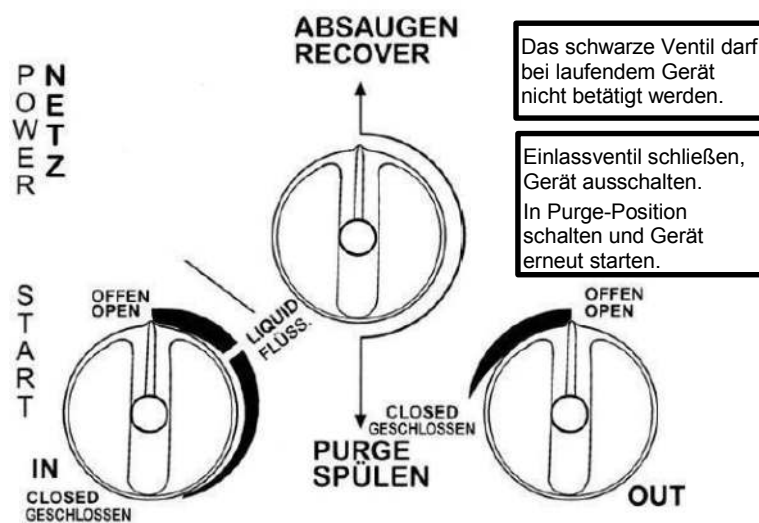
5. **WARNUNG!** Kältemittelflaschen dürfen niemals überfüllt werden. Überfüllung kann zum Bersten der Flaschen führen.
6. Während des Absaugvorganges müssen Kältemittelflaschen gewogen werden um ein Überfüllen der Flaschen auszuschließen.
7. Flaschen dürfen nur für jeweils ein Kältemittel verwendet werden. Bevor Sie eine Flasche verwenden, die zuvor für ein anderes Kältemittel verwendet wurde, ist die Flasche vollständig zu entleeren und zu evakuieren. Anschließend ist die Flasche mit trockenem Stickstoff zu spülen und erneut zu evakuieren.
8. Bei der Absaugung einer ausgebrannten Anlage ist besondere Vorsicht geboten. In solchen Fällen sind zwei in Serie geschaltete Filter mit hoher Säurekapazität zu verwenden. Empfohlen werden Filter des Typs C-162-F von Sporlan. (Promax Teil Nr. FL-1201)
9. Nach beendigter Absaugung ist das RG5410A-E mit einer geringen Menge Kältemaschinenöl und einer geringen Menge sauberen Kältemittels zu spülen, um im Gerät verbliebene Fremdstoffe zu entfernen.
10. Kältemittel ist stets aus dem Gerät in eine Flasche zu pumpen. Im Verdichter verbleibendes Kältemittel kann sich ausdehnen und das Gerät beschädigen.

BETRIEB DES RG5410A-E

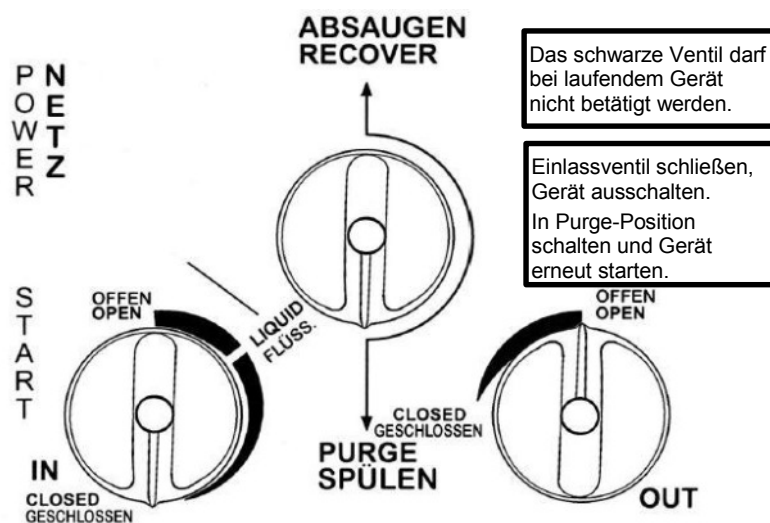
Schließen Sie das RG5410A-E an eine 230 V-Steckdose an. Schalten Sie den Netzschalter ein (ON-Position). Der Lüfter läuft. Drücken Sie zum Starten des Kompressors den Kompressor-Starttaster. In manchen Fällen ist es eventuell erforderlich, diesen Taster mehrmals zu drücken, um den Kompressor zu starten.

BETRIEBSARTEN

NORMALES ABSAUGEN



SELBSTSPÜLUNG / AUT. EVAKUIERUNG



HINWEIS: Wechsel vom Absaug- zum Spülmodus:

Einlaßventil schließen, **Gerät ausschalten** (um Hochdruckabschaltung zu vermeiden), auf Spülposition (PURGE) umschalten und Gerät erneut starten.

BETRIEB DES RG5410A-E

Betriebsart RECOVER: („normales Absaugen von Kältemittel“)

1. Vergewissern Sie sich, daß das RG5410A-E keine äußeren Schäden aufweist.
2. Stellen Sie sicher, daß alle Anschlüsse und Verbindungen korrekt und fest angeschlossen sind.
3. Stellen Sie sicher, daß das „Recover/Purge“ Ventil auf Recover eingestellt ist.
4. Öffnen Sie die Ventile des zu wartenden Systems langsam.
5. Öffnen Sie das Flüssigkeitsventil der Manometerventil.
6. Stellen Sie das Einlaßventil am RG5410A-E auf die Position „Liquid“ (flüssig).
7. Stellen Sie das Auslassventil am RG5410A-E auf die Position „OPEN“ (offen).
8. Öffnen Sie das Flüssigkeitsventil der Kältemittelflasche.
9. Schließen Sie das RG5410A-E an eine 230V Spannungsquelle an.
 - a) Stellen Sie den Netzschalter des RG5410A-E in die Position „ON“, dadurch wird zunächst nur der Ventilator aktiviert.
 - b) Drücken Sie nun den Kompressor-Starttaster um das RG5410A-E in Betrieb zu setzen.
10. Nachdem Sie sich überzeugt haben das alles ordnungsgemäß funktioniert, sollten Sie das Einlaßventil des RG5410A-E langsam in die Stellung „OPEN“ drehen, jedoch nur soweit, dass kein lautes Schlagen (Klopfen) auftritt. Dieses Schlagen bzw. Klopfen des Kompressors tritt nur dann auf, wenn der Verdichter zu viel Flüssigkeit pumpt.
11. Betreiben Sie das RG5410A-E bis das erforderliche Vakuum erreicht wird.
12. Nach der Beendigung der Kältemittelabsaugung sollte auch das RG5410A-E vom Kältemittel befreit werden (siehe Funktion „Selbstentsorgung /Purge“).

ACHTUNG

Beim Absaugen von flüssigem Kältemittel sollte das Einlaßventil nicht zu weit geöffnet werden da es sonst zu lauten Schlägen (Klopfen) des Kompressors kommen kann. Dieses Schlagen bzw. Klopfen des Kompressors tritt nur dann auf wenn der Verdichter zu viel Flüssigkeit pumpt, dadurch kann der Motor abgewürgt werden.

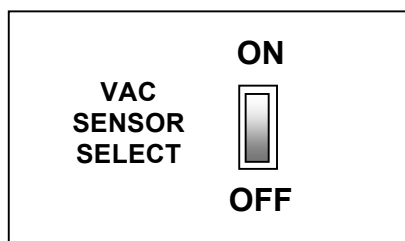
BETRIEB DES RG5410A-E

Betriebsart PURGE : („Evakuierung verbliebener Kältemittelreste im RG5410A-E“)

1. Schließen Sie die Ventile des zu wartenden Systems welches am Einlaßventil des RG5410A-E angeschlossen ist.
2. Schließen Sie das Einlaßventil am RG5410A-E (Position „CLOSED“).
3. Schalten Sie das RG5410A-E aus.
4. Stellen Sie nun das „Recover/Purge“ Ventil auf Position PURGE.
5. Starten Sie nun das RG5410A-E.
6. Betreiben Sie das RG5410A-E bis das gewünschte Vakuum erreicht ist.
7. Schließen Sie das Flüssigkeitsventil der Kältemittelflasche.
8. Schließen das Auslassventil am RG5410A-E (Position „CLOSED“).
9. Schalten Sie das RG5410A-E ab.
10. Stellen Sie nun das „Recover/Purge“ Ventil wieder auf Position RECOVER.
11. Entfernen Sie alle Zuleitungen vom RG5410A-E.
12. Wechseln Sie nach jedem Absaugen stark verschmutzter Kältemittel immer den Einlassfilter am RG5410A-E.

Die Bedienung des Niederdruckschalters

Das RG5410A-E ist mit einem Niederdruckschalter ausgerüstet, den man bei Bedarf ein- bzw. ausschalten kann (ON/OFF VAC SENSOR SELECT). Bei aktiviertem Niederdruckschalter schaltet das Gerät bei einem Druck von 0,45 bar absolut ab. Ist der Niederdruckschalter ausgeschaltet, saugt das Gerät auch nach Erreichen dieses Druckniveaus kontinuierlich weiter.



VORBEREITUNG FÜR KÄLTEMITTELABSAUGUNG

Um den maximalen Endunterdruck zu erreichen, ist mit Hilfe des Flaschenkühlungsverfahrens der Kopfdruck in der Absaugflasche zu verringern. Wiederholen Sie dieses Verfahren, bis der gewünschte Unterdruck erreicht ist.

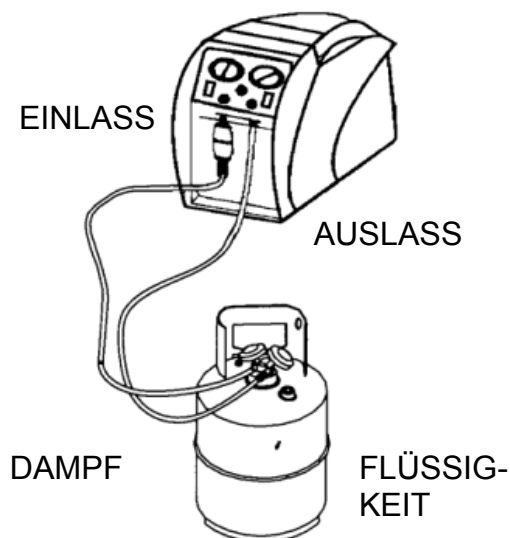
HINWEIS: Enthält die Absaugflasche keine Flüssigkeit, funktioniert dieses Kühlverfahren nicht. In diesem Falle kann zum Erreichen des erforderlichen Endunterdrucks eine vollständig evakuierte leere Flasche verwendet werden.

Zur Maximierung der Absauggeschwindigkeit sollten möglichst kurze Schläuche mit einem Durchmesser von mindestens 3/8" verwendet werden. Eine maximale Schlauchlänge von ca. 90 cm wird empfohlen. Um den maximal möglichen Durchsatz zu erreichen, sind alle unnötigen Tuyau abaisse de base und Schraderventile unter Verwendung geeigneter Ventileinsatzwerkzeuge von den Anschlüssen zu entfernen. Verformte Gummidichtungen und Kerndrucker in Schläuchen oder defekte oder unnötige Schraderventile können den Fluß um bis zu 90% vermindern.

Wenn der Druck in der Flasche den Wert 31,5 bar überschreitet, müssen Sie die Flasche kühlen. Benutzen Sie hierfür den Aufbau für die Vor- oder Nachkühlung der Flasche. Wenn Sie größere Mengen an flüssigem Kältemittel absaugen benutzen Sie die unten angeführte „DRUCK-ZUG-METHODE“.

ACHTUNG: Bei Verwendung der „DRUCK-ZUG-METHODE“ ist eine Waage erforderlich, um das Überfüllen der Flasche zu vermeiden. Wurde der "DRUCK-ZUG-SIPHON" erst einmal eingeleitet, kann er sich fortsetzen und die Flasche auch dann überfüllen, wenn diese mit einem Schwimmer-Füllstandssensor ausgerüstet ist. Die Siphonwirkung kann sich sogar bei abgeschaltetem Gerät fortsetzen. Sie müssen die Ventile an der Flasche und am Gerät von Hand schließen, um das Überfüllen der Flasche zu verhindern.

AUFBAU FÜR VOR- ODER NACHKÜHLUNG DER FLASCHE



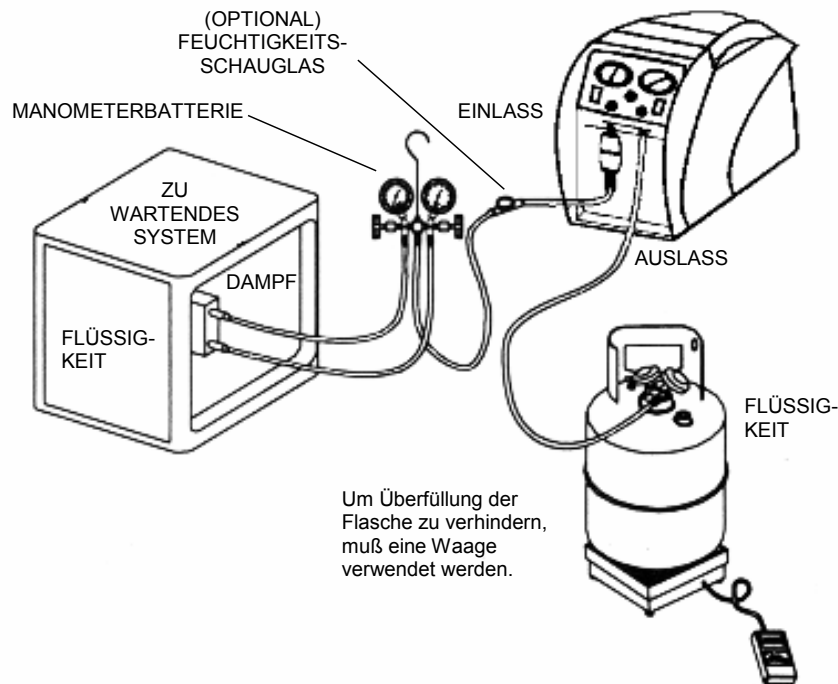
Zu Beginn dieses Verfahrens muß die Flasche mindestens 2,5 kg flüssiges Kältemittel enthalten.

Drosseln Sie das Auslassventil, so daß der Ausgangsdruck 7 bar höher als der Einlaßdruck ist. Er darf jedoch in keinem Falle 31,5 bar überschreiten.

Betreiben Sie das Gerät mit diesem Aufbau, bis die Flasche kalt ist.

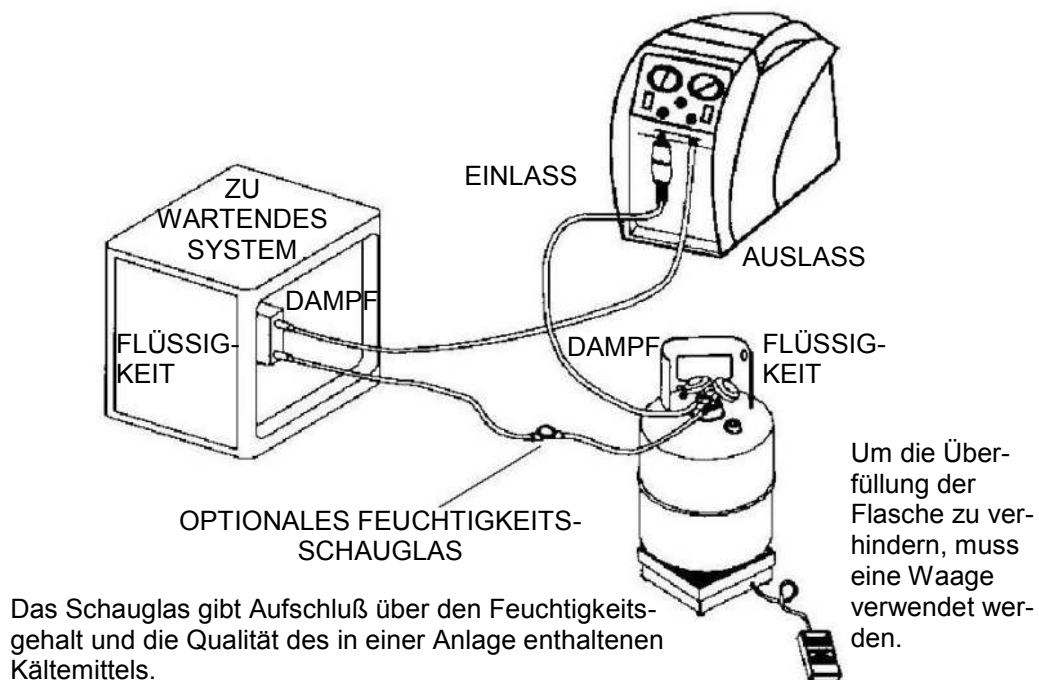
AUFBAU FÜR KÄLTEMITTELABSAUGUNG

Dies ist das schnellste Verfahren zur Absaugung von gasförmigen Kältemitteln.



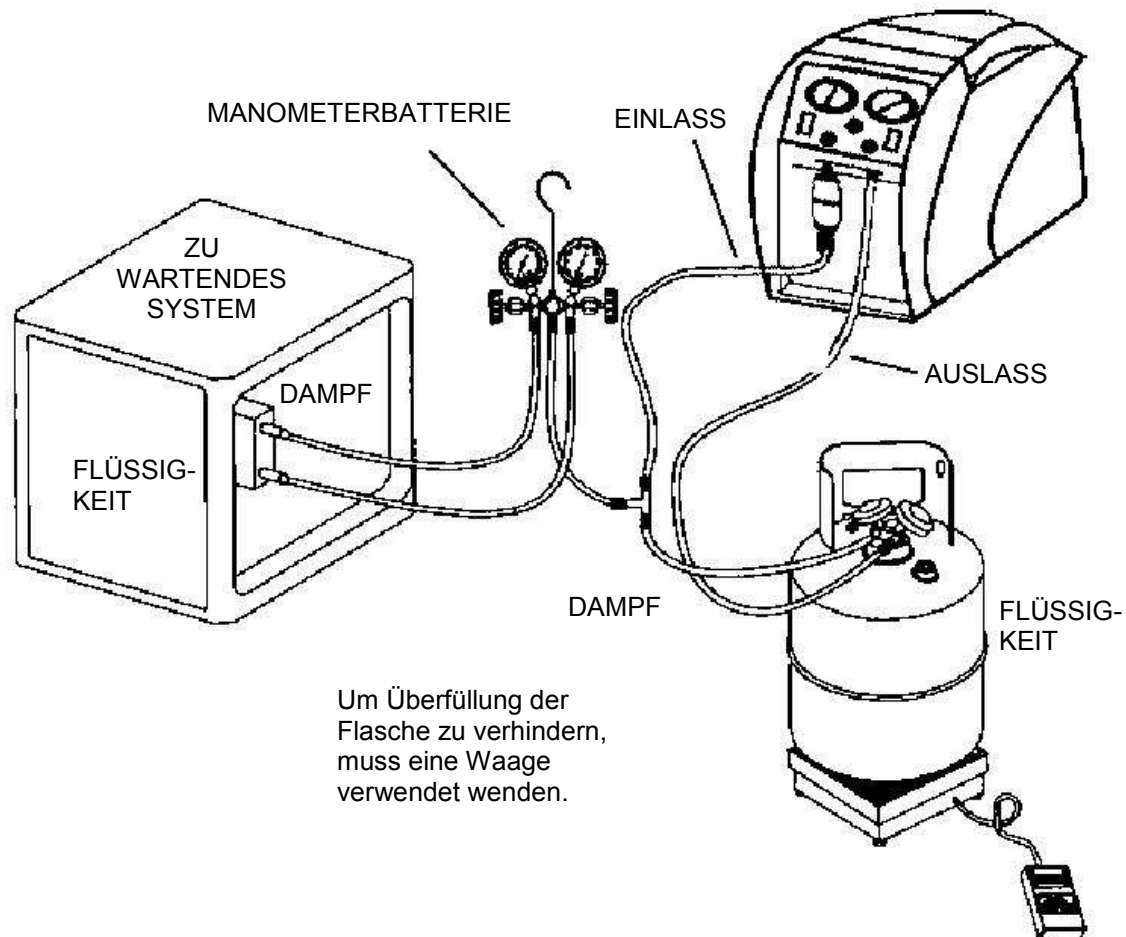
AUFBAU FÜR "DRUCK-ZUG-METHODE"

Die Druck-Zug-Methode funktioniert nur bei großen Anlagen, bei denen die Flüssigkeit gut zugänglich ist. Diese Methode sollte bei Anlagen, die weniger als 7 kg enthalten, nicht angewandt werden, da sie dann eventuell nicht funktioniert.



OPTIONALE ABSAUGUNG / FLASCHENKÜHLUNG FÜR FESTE SCHLAUCHSYSTEME

Aufbau für Absaugung mit betriebsbereitem Flaschenkühlschlauch



Normale Absaugung:

Dampfventil der Flasche ist geschlossen.

Vor- oder Nachkühlung der Flasche:

Dampfventil der Flasche ist offen und beide Ventile der Manometerventil sind geschlossen; siehe Kühlungsverfahren auf Seite 7.

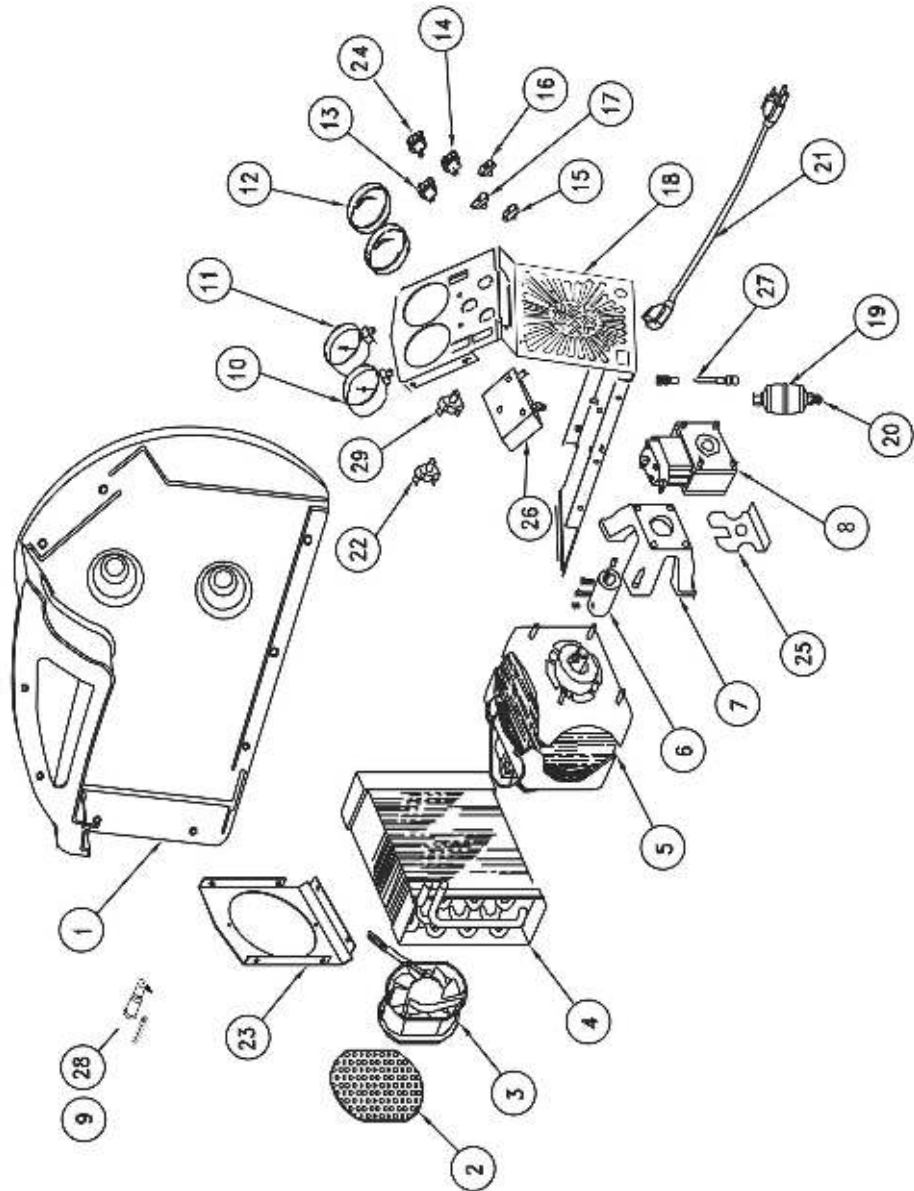
ABSAUGEN MIT DEM RG5410A-E

Evakuierung der nicht kondensierbaren Gase aus einem Kältemittel in einer Flasche

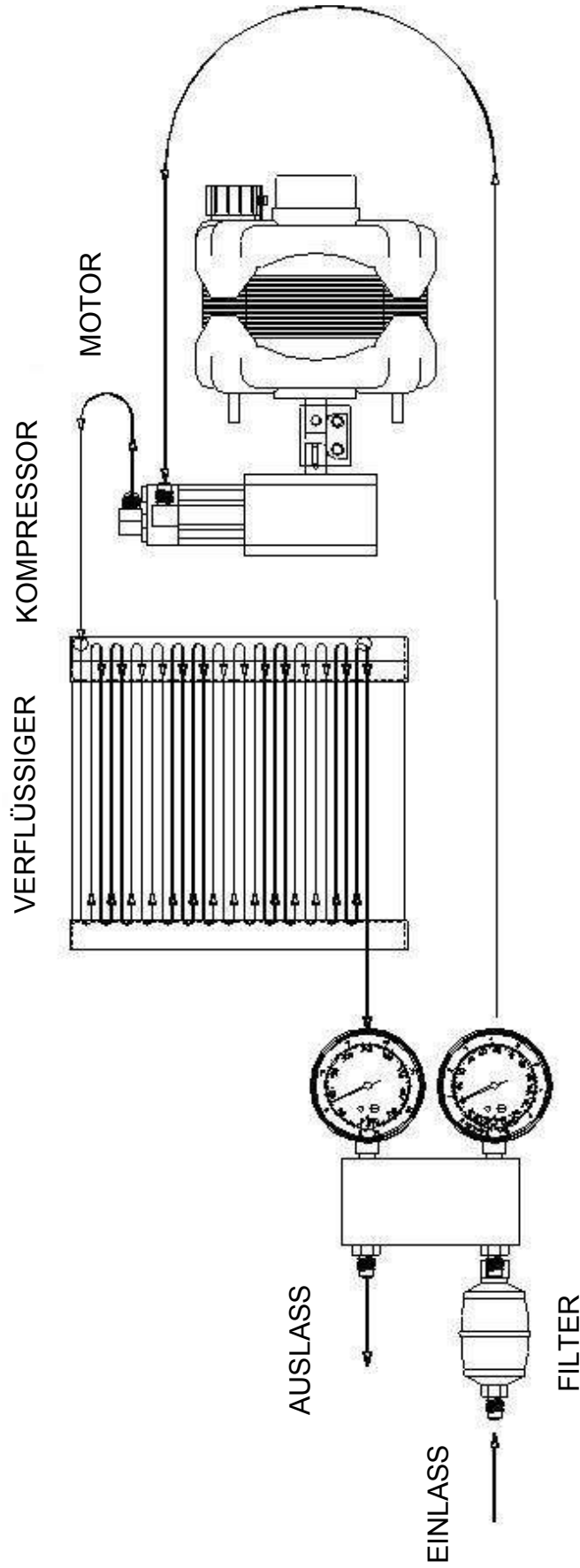
1. Lassen Sie die Flasche 24 Stunden lang ungestört stehen. Hierdurch können die nicht kondensierbaren Gase nach oben steigen.
2. Schließen Sie die Manometerventil an die Flasche an und lesen Sie den Druck in der Flasche ab.
3. Bestimmen Sie die Umgebungstemperatur im Raum.
4. Vergleichen Sie die Temperatur mit dem Druck des betreffenden Kältemittels. Verwenden Sie hierfür die zugehörigen Temperatur- und Drucktabellen.
5. Wenn der abgelesene Druck höher ist als der angegebene Druck in der Drucktabelle, öffnen Sie langsam das Ventil für Dampf. Führen Sie dies sehr langsam aus, um Turbulenzen in der Flasche zu vermeiden. Beobachten Sie, wie der Druck am Manometer abfällt. Addieren zu dem Druck der in den Drucktabellen angegeben ist 0,3 bis 0,35 bar. Schließen Sie das Ventil für den Dampfanschluss an der Flasche wenn die Manometeranzeige mit diesem Druck übereinstimmt.
6. Lassen Sie die Flasche 10 Minuten lang ruhig stehen und messen Sie den Druck erneut.
7. Wenn nötig wiederholen Sie den oben beschriebenen Vorgang.

TEILELISTE RG5410A-E

Pos.	Bezeichnung	Teilnr.
1	Kunststoffgehäuse	100134 L&R
2	Lüftergitter	100505
3	Axiallüfter	EL1818
4	Verflüssiger	CD1201
5	Motor	EL1822
6	Kupplung	CP1315
7	Flansch	CP1001
8	Kompressor	CP1320
9	Sicherung 5x20mm	100406
10	Einlassmanometer	GA1500
11	Auslassmanometer	GA0800
12	Manometerglas	GA1000
13	Netzschalter	EL1310
14	Startschalter	EL1309
15	Einlassknopf	100123
16	Auslassknopf	100124
17	Modusumschalter	100122
18	Frontplatte	110-200395-001
19	Filter	100343
20	Kappe	NB6501
21	Netzkabel	135-200341-001
22	Hochdruckschalter	EL2802
23	Rückplatte	100318
24	Niederdruckschalter	105-200396-001
25	Kompressorhalter	100207
26	Verteiler	700009
27	Schlauch 4"	100345
28	Sicherungshalter	100419
29	Niederdrucksensor	113726



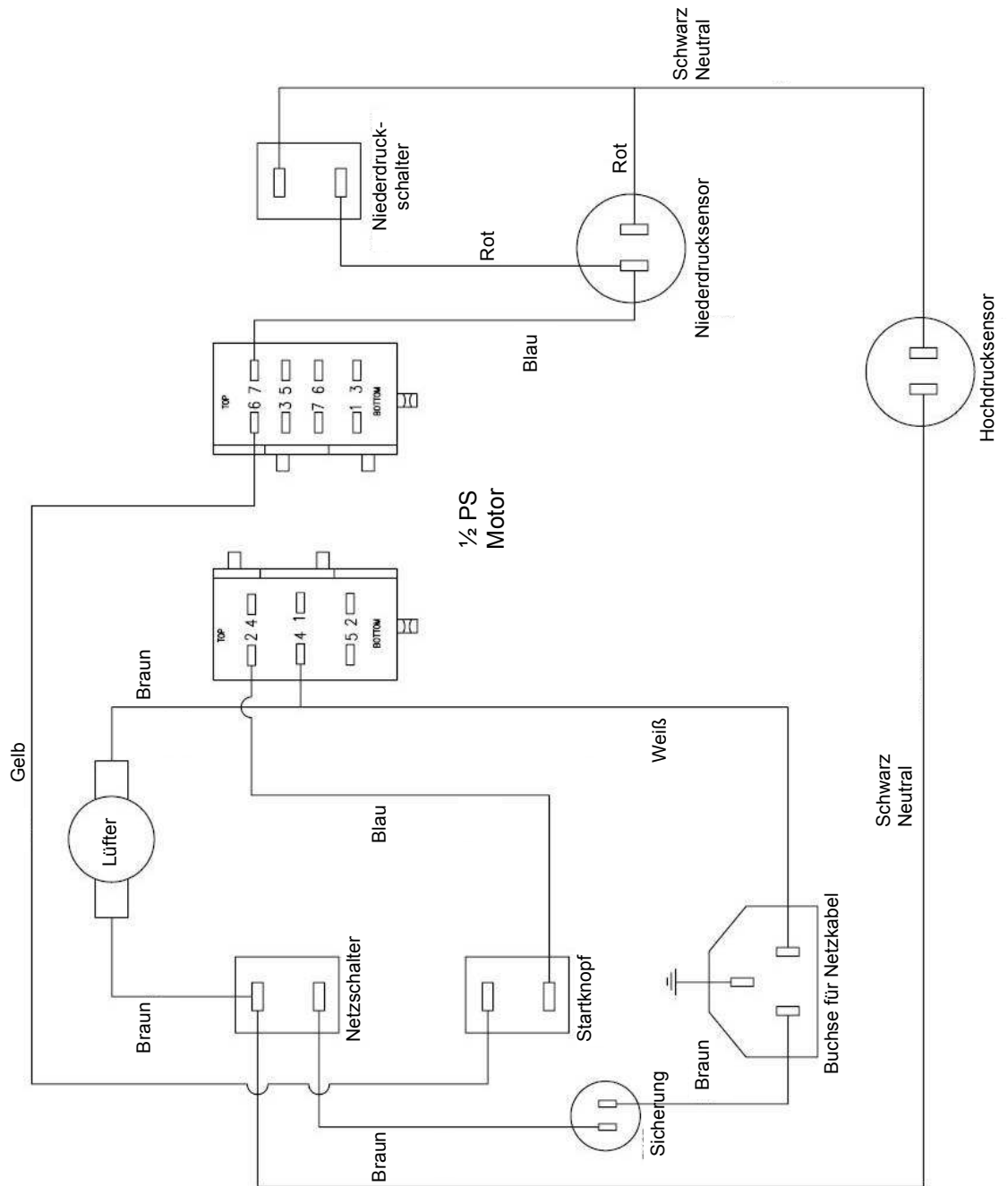
KÄLTEMITTEL-FLUSSDIAGRAMM



HINWEIS: Ein Filter ist stets zu verwenden. Bei Nichtverwendung eines Filters besteht kein Anspruch auf Garantieleistung.
Durch Verwendung eines Filters wird das Risiko von Beschädigungen des RG5410A-E durch in das Gerät eindringende Fremdstoffen beträchtlich verringert.

Die Filterung ist besonders beim Absaugen ausgebrannter Anlagen von großer Bedeutung. Wir empfehlen den Einsatz von zwei in Serie geschalteten Filtertrocknern der Größe 162, die ausschließlich für die betreffende Anlage verwendet werden sollten.

VERDRAHTUNGSPLAN RG5410A-E



SICHERHEITSDRUCKBEGRENZER (SDBK)

Das RG5410A-E ist mit einem internen Sicherheitsdruckbegrenzer ausgerüstet. Überschreitet der Druck im System 38,5 bar, wird das System automatisch abgeschaltet.

Auch ein Sicherheitsdruckbegrenzer (SDBK) kann die Überfüllung der Flasche nicht verhindern. Wird das System bei hohen Drücken abgeschaltet und ist mit einer Flasche verbunden, wurde die Flasche möglicherweise überfüllt. **Dies ist ein äußerst gefährlicher Zustand!** Maßnahmen zum Abbau des Überdrucks und/oder zur Beseitigung der Überfüllung sind sofort zu treffen.

Wenn der Sicherheitsdruckbegrenzer auslöst ...

Sollte der Sicherheitsdruckbegrenzer aufgrund von Fehlbedienung oder sonstiger Umstände ansprechen, sind folgende Maßnahmen zu treffen:

a) Überfüllung der Flasche

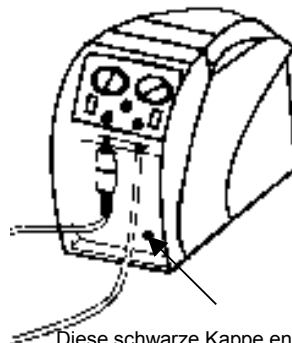
Verbinden Sie die Flasche mit einer zweiten Flasche, welche noch eine ausreichende Füllmenge aufnehmen kann, so dass der Druck auf ein sicheres Maß reduziert wird. Hierdurch wird ebenfalls der Druck in der Ausgangsleitung des RG5410A-E reduziert. Fahren Sie danach normal fort, nachdem der Sicherheitsdruckbegrenzer zurückgesetzt wurde (siehe unten).

b) Grund der Auslösung des Sicherheitsschalters ist unbekannt

- 1) Eventuell vorhandenen Überdruck in der Kältemittelflasche abbauen.
- 2) Die Ventile des zu wartenden Systems schließen
- 3) Das RG5410A-E von allen Schlauchverbindungen trennen
- 4) Das Ein- und Auslassventil am RG5410A-E langsam öffnen
- 5) Das RG5410A-E von der Netzversorgung trennen
- 6) Die Fehlerursache feststellen

Der Sicherheitsdruckbegrenzer muß manuell zurückgestellt werden, um das RG5410A-E wieder in Betrieb nehmen zu können:

- I) Schwarze Schutzkappe am RG5410A-E entfernen (siehe Bild unten)
- II) Mit geeignetem Werkzeug (Schraubendreher) Reset-Knopf vom SDBK zurücksetzen.
- III) Schwarze Schutzkappe am RG5410A-E befestigen.



Diese schwarze Kappe entfernen um den Sicherheitsdruckbegrenzer zurückzusetzen.

PFLEGE UND WARTUNG

Ein Filter ist stets zu verwenden und häufig zu wechseln. Bei Nichtverwendung eines Filters besteht kein Anspruch auf Garantieleistung. Durch die Verwendung eines Filters wird das Risiko von Beschädigungen des RG5410A-E durch in das Gerät eindringende Fremdstoffen beträchtlich verringert.

Bei der Absaugung einer ausgebrannten Anlage ist besondere Vorsicht geboten. In solchen Fällen sind zwei in Serie geschaltete Filter mit hoher Säurekapazität zu verwenden. Empfohlen werden Filter des Typs C-162-F Sporlan (Promax Teil Nr. FL-121), welche nur hierfür eingesetzt werden sollen.

Wir empfehlen, für jede Absaugung einen sauberen Filter zu verwenden. Filter sollten gekennzeichnet und nur für jeweils eine Kältemittelart eingesetzt werden.

Dieses Gerät darf nicht in der Nähe von verschütteten, feuergefährlichen Stoffen oder offenen Behältern mit brennbarem Inhalt eingesetzt werden.

Um das Risiko von Bränden zu verringern sollten Sie keine Verlängerungskabel verwenden. Sollte es jedoch unumgänglich sein, ein Verlängerungskabel zu verwenden, so sollte dieses ein Minimum von 14 AWG besitzen (Querschnittsfläche Kabel: 2mm²) und nicht länger als 7,5m sein.

Nach Abschluß jedes Absaugungsvorgangs sind im Gerät verbleibende Kältemittelreste zu entfernen. Im Gerät verbleibendes Kältemittel kann sich ausdehnen und das Gerät beschädigen.

Wird das Gerät gelagert oder über längere Zeit nicht genutzt, empfehlen wir die vollständige Evakuierung verbleibender Kältemittelreste und Spülung mit trockenem Stickstoff.

Vergewissern Sie sich immer, dass bei Wartungsarbeiten an ihrem RG5410A-E der Netzstecker gezogen ist.

TECHNISCHE DATEN RG5410A-E

Anwendung	gasförmiges und flüssiges Absaugen von Kältemitteln
Kältemitteleignung	R12, R22, R134A, R401A, R401B, R401C, R402A, R402B, R404A, R406A, R407A, R407B, R407C, R407D, R408A, R409A, R410A, R411A, R411B, R412A, R500, R502, R507, R509
Anschlußspannung	230V / 50 Hz
Anschlußleistung	380 W
Abmessungen	330 x 229 x 483 mm
Gewicht	14,5 kg
Drehzahl	1437 U/min
max. zulässiger Betriebsüberdruck	38,5 bar
Sicherung	5x20, träge, 8A 250V
Sicherheitseinrichtung	Sicherheitsdruckbegrenzer für steigenden Druck Type P100 DA, Abschaltdruck 38,5 bar (manueller Reset notwendig)

ACHTUNG

Das RG5410A-E darf nicht mit brennbaren oder ammoniakhaltigen Gasen betrieben werden.

NÜTZLICHE HINWEISE ZUR KÄLTEMITTELABSAUGUNG

Die Absaugung von Kältemitteln hat sich in den letzten Jahren grundlegend weiterentwickelt.

Oberflächlich betrachtet ist es ein einfacher Prozess, indem das Kältemittel aus der Kälteanlage genommen und in eine Kältemittelflasche abgefüllt wird. Dieser einfach erscheinende Prozess kann jedoch schnell zu Problemen führen, wenn einige Einzelheiten übersehen werden. Im folgenden sind einige Tipps und Hinweise zusammengestellt, die aus den Erfahrungen der letzten Jahre resultieren und für einen zeitsparenden und reibungslosen Ablauf sorgen sollen.

Als erstes sollten Sie die Art und Menge des Kältemittels der zu wartenden Anlage bestimmen.

Wenn Sie feststellen, dass es sich um eine ausgebrannte Anlage handelt, benötigen Sie eine spezielle Flasche, welcher für Kältemittel aus ausgebrannten Anlagen und unbekannte Gase ausgewiesen ist. Weiterhin ist eine vorhergehende Filtration vor dem Absaugen erforderlich.

Wenn Sie andererseits wissen, dass es sich um ein relativ sauberes bzw. neues Kältemittel in der Anlage handelt, sollte eine neue Flasche verwendet werden. Wenn Sie planen, das Kältemittel nach der durchgeführten Wartung zurück in die Kälteanlage zu führen oder das Kältemittel wieder verwendet werden soll, benutzen sie bitte eine Flasche, welche die gleiche Art von Kältemittel enthält.

Ein Hinweis im Bezug auf die Umweltschutzorganisation: Wenn Sie eine Vielzahl von Kältemitteln verwenden - resultierend aus ihrem Kältemittelbezug - und nur eine Flasche für Wartungsarbeiten besitzen, so werden Sie Unannehmlichkeiten bekommen. Sie sind gut beraten, für jeden Typ von Kältemittel aus Anlagen, die gewartet werden sollen, eine Flasche zur Aufbewahrung plus einer weiteren für Kältemittel aus ausgebrannten Anlagen sowie unbekannte Kältemittel zu besitzen.

Für die zukünftige Planung:

Die Menge des Kältemittels ist wichtig für die Planung des Lagerbedarfs sowie für die aktuelle Absaugung. So muss zum Beispiel jedes System mit einer Kältemittelmenge von mehr als 2,27 kg Auffangzonen für flüssiges Kältemittel haben.

Eine Möglichkeit zur raschen Absaugung des Kältemittels besteht darin, zuerst den flüssigen Anteil aus der Anlage abzulassen und im Anschluss daran den verbleibenden dampfförmigen Anteil zu entfernen. Die meisten Anlagen erlauben es jedoch nicht, das Kältemittel auf einfache Art und Weise aus dem Kältekreislauf zu entfernen. Der Grund hierfür liegt darin, dass sich keine Auslassstellen am tiefsten Punkt der Anlage befinden. Wenn Anlagenteile aufgrund eines Wartungsvertrages zu warten sind lässt sich bedeutend Zeit einsparen, indem Auslassstellen an den tiefsten Punkten angebracht werden, an welchen sich das flüssige Kältemittel ansammelt. Da die meisten Anlagen keine solchen Auslassstellen besitzen müssen Sie darauf vorbereitet sein, das, wenn immer Sie angesammeltes, flüssiges Kältemittel finden, dieses mit einer Heizpistole zum kochen gebracht werden muss. Ein Indikator für angesammeltes Kältemittel in einer Anlage ist Frost oder Kondensat der sich an der Stelle der Rohrleitungen oder Anlagenkomponenten bildet an welcher das Kältemittel eingeschlossen ist. Das eingeschlossene Kältemittel kann sich in einem Bereich befinden der nicht einzusehen ist. Auf jeden Fall verlangsamt angesammeltes

Kältemittel den Prozess der Kühlmittelabsaugung, unabhängig vom Typ oder der Größe der verwendeten Maschine.

Wenn es nicht möglich ist, das angesammelte Kältemittel zu lokalisieren (aufgrund des lange andauernden Prozesses der Absaugung besteht jedoch Gewissheit, dass sich Kältemittel angesammelt hat), sollten sie den Verdichter der Anlage (wenn möglich) für einige Sekunden lang einschalten. Dies bewirkt, dass das eingeschlossene Kältemittel zu einer anderen Stelle in der Anlage hin verschoben wird.

SCHLÄUCHE UND VENTILE

Schläuche und Schraderventile haben einen großen Einfluss auf die Geschwindigkeit der Kältemittelabsaugung. Im allgemeinen gilt: Je größer der verwendete Schlauch, desto geringer ist die Reibung im fließenden Kältemittel und umso kürzer ist die zum Absaugen benötigte Zeit. Viele Betreiber benutzen heutzutage 3/8'' Schläuche zum Eingang in die Absaugvorrichtung, obwohl die Anschlüsse aus 1/4'' bestehen.

Es ist ratsam, Schraderventile aus der Verbindung zu entfernen, bevor mit der Absaugung begonnen wird. Die meisten Großhändler bieten ein Werkzeug zur Entfernung dieser Teile an wobei die Verbindung verschlossen bleibt. Der Tuyau abaisse de base am Ende des Schlauches sollte auch entfernt werden. Diese beiden Maßnahmen können verhindern, dass eine Absaugung, welche im Normalfall einige Minuten Zeit in Anspruch nimmt, sich über Stunden hinzieht. Stellen Sie also bitte sicher, dass vor jeder Kältemittelabsaugung Schraderventile und Tuyau abaisse de base entfernt werden.

Ein weiterer Punkt der bei den Schläuchen beachtet werden soll ist die Gummidichtung in Verbindung zu den Anschlüssen. Die Dichtringe können sich so erwärmt und deformiert haben, dass sie beim Anschluss der Schläuche die Verbindung absperrern. Dies fällt beim Befüllen der Anlage kaum auf, denn der Druck öffnet den Dichtring, doch während der Kältemittelentleerung (oder beim Absaugen) hemmt die Dichtung dem Fluss des Kältemittels enorm.

Wiederverwertung des Kältemittels

Gültige Vorschriften besagen, dass benutztes Kältemittel nicht verkauft werden oder in fremden Anlagen verwendet werden darf, bevor es labortechnisch untersucht worden ist und den Anforderungen der ARI 700 (letzte Ausgabe) genügt. Daraus resultiert die Tatsache, dass es in den meisten Fällen unwirtschaftlich ist, Kältemittel wieder aufzubereiten und zu prüfen, ob es die Anforderungen nach ARI 700 erfüllt. Es ist jedoch weiterhin sinnvoll das Kältemittel so weit wie möglich zu reinigen und es in die gleiche Anlage (oder Anlagen des gleichen Betreibers) zurückzuleiten. Wir empfehlen die Verwendung der größtmöglichen Filter mit hoher Säurekapazität die wirtschaftlich vertretbar ist. Benutzen Sie diese Filter auf der Saug- bzw. Einlassseite der Absaugmaschine. Wechseln Sie bitte häufig den Filter.

Beim Ablassen von großen Mengen an flüssigem Kältemittel kann sich in diesem oft eine beachtliche Menge an Öl befinden, wenn in der zu wartenden Anlage kein passender Ölabscheider installiert ist. Wenn das entfernte Kältemittel nicht wieder im flüssigen Zustand in die gleiche Anlage zurückgefüllt werden soll, so möchten Sie unter Umständen das Öl vom Kältemittel trennen um die Ölmenge zu bestimmen (um zu

wissen, wie viel Öl in der Anlage nachzufüllen ist). Auf jeden Fall ist in Kältemitteln, welches zurückgeleitet werden sollen, eine Trennung des Öls nicht notwendig. Eine der einfachsten und kostengünstigsten Möglichkeiten zur Abscheidung des Öls besteht darin, dass eine Flasche von 13,61 bis 22,68 kg Füllmenge vor die Absaugmaschine geschaltet wird. Verbinden Sie die Anlage mit dem Flüssigkeitsanschluss der Flasche. Den Dampfanschluss der Flasche verbinden Sie mit dem Eingang der Absaugmaschine. Nun schalten Sie eine zweite Flasche am Ausgang der Absaugmaschine an, welche das Kältemittel speichert. Wenn es sich um große Mengen von flüssigem Kältemittel handelt, so benötigen sie einen Vorwärmer bei der ersten Flasche.

Wenn die Absaugung beendet ist, kann das Öl aus der ersten Flasche entfernt werden, indem ein geringer Druck an einen Anschluss der Flasche angelegt wird (benutzen Sie Nitrogen) und das Öl auf der anderen Seite herausgedrückt wird. Wenn Sie das Öl aus dem Dampfanschluss der Flasche herausdrücken wollen, so müssen Sie die Flasche herumdrehen. Tragen Sie bei dieser Durchführung immer eine Schutzbrille, da das Öl Säuren enthalten kann welche schwere Verbrennungen verursachen können.

VORBEUGUNG GEGEN VERSCHMUTZUNG

Während des Absaugprozesses kann ihre Absaugmaschine Ablagerungen von Schmutz aus Lot, Kupfer- oder Messingspänen ausgesetzt sein welche Schäden verursachen können. Weitere Verschmutzungen können durch den Lagerbehälter des Kältemittels verursacht werden. Um die Lebensdauer ihrer Absaugmaschine zu verlängern verwenden Sie bitte immer einen Einlassfilter.

Wenn immer Sie eine Anlage befüllen wollen, ist es sinnvoll, einen Einlassfilter zu verwenden um Verunreinigungen vorzubeugen. Auch hier gilt wieder: Wechseln Sie den Filter möglichst oft.

Ablassen des flüssigen Kältemittels (Siehe Abbildung „Zug-Druck-Methode“)

Die Zug-Druck-Methode, welche verwendet wird um große Mengen von Kältemittel aus der Anlage zu entfernen, basiert auf dem Druckunterschied, der durch die Absaugmaschine erzeugt wird. Die Zug-Druck-Methode kann im allgemeinen nicht bei kleineren Anlagen angewendet werden, weil sich in diesen nicht genügend flüssiges Kältemittel befindet, woraus sich ein Siphon ausbilden kann.

Die Zug-Druck-Methode wird meistens bei Anlagen angewendet, die einen Vorratsbehälter beinhalten oder deren Menge an Kältemittel 9,07 kg übersteigt. Weiterhin findet sie Anwendung bei der Überführung des Kältemittels von einer Flasche in einen anderen. Der Flüssigkeitstransport hängt sehr stark von der Größe der verwendeten Schläuche ab. Mit großen Schläuchen lässt sich ein wesentlich besserer Durchsatz erreichen.

Eine weitere Vereinfachung der Absaugung lässt sich erreichen, wenn der Behälter vor oder während der Kältemittelabsaugung bei teilweiser Füllung gekühlt wird. Diese Maßnahme senkt den Druck in der Flasche und beschleunigt die Absaugung. Als Mindestmenge müssen 2,27 kg flüssiges Kältemittel in der Flasche sein die Sie kühlen möchten. Die Kühlung kann vor oder während der Absaugung durchgeführt werden.

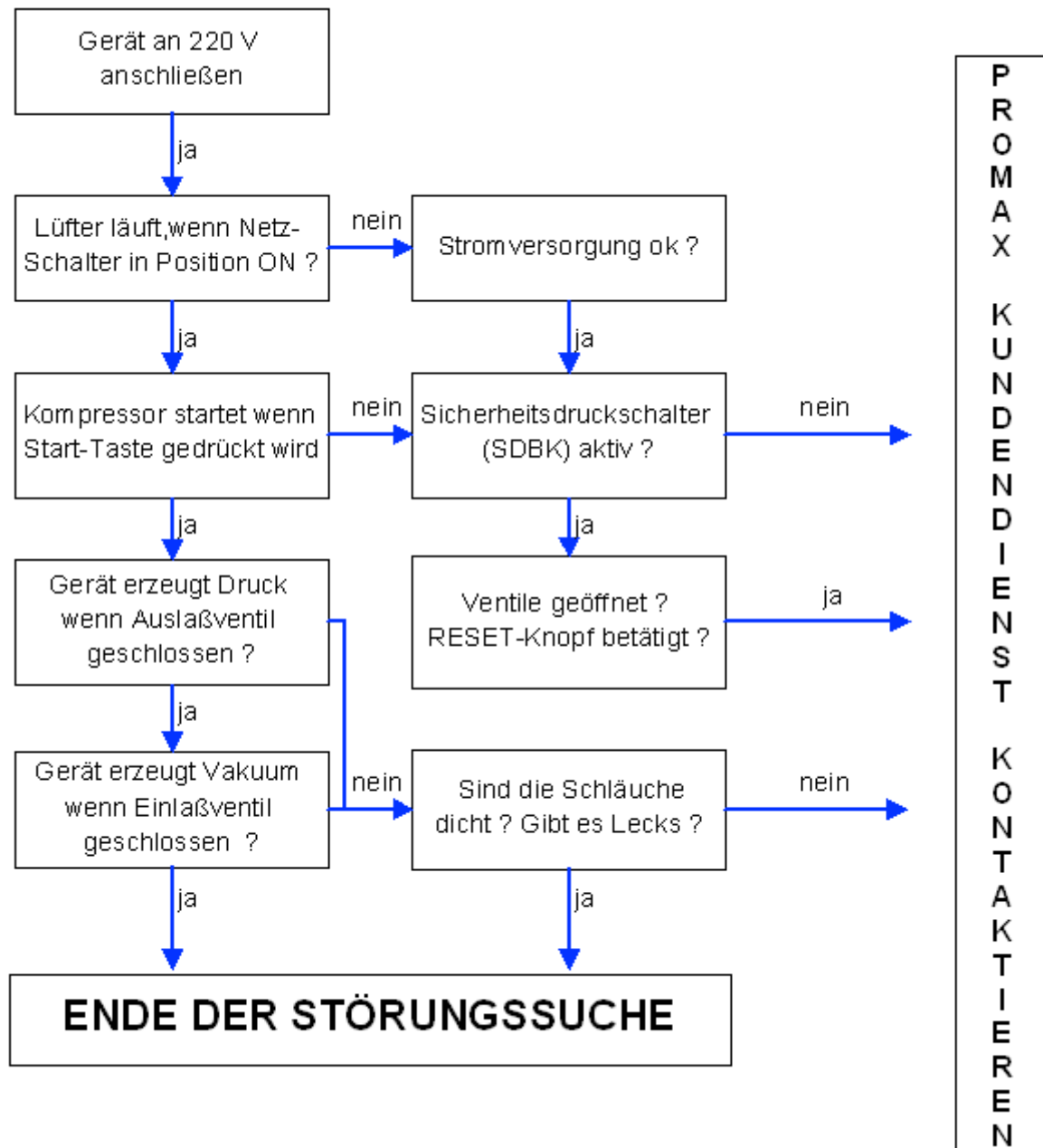
Beachten Sie bitte die beiden Anschlussdiagramme für diese Vorgehensweise in dieser Bedienungsanleitung.

Bei dieser Vorgehensweise benutzen Sie die Absaugmaschine, um eine Kälteanlage aufzubauen, in welcher die Flasche der Verdampfer ist. Wenn Sie das Auslassventil drosseln, schaffen Sie dadurch ein Kapillarrohr oder eine Expansionseinrichtung. Sie müssen den Rückdruck einstellen um die Bedingungen auf das Kältemittel anzupassen. Eine Kühlung von 5 bis 10 Minuten kann, in Abhängigkeit von den vorherrschenden Bedingungen, eine enorme Abkühlung der Flasche bewirken. Wenn sich nicht Kondensierbares in der Flasche befindet funktioniert dieser Prozess nicht. Je größer die in der Flasche befindliche Menge an Kältemittel ist, desto länger wird dieser Prozess dauern.

STÖRUNGSSUCHE

Sicherheit steht an erster Stelle

Vor Ausführung irgendwelcher Wartungsarbeiten am RG5410A-E sind sämtliche Sicherheitshinweise gründlich durchzulesen.



EINJAHRESGARANTIE

SERIENNR. _____

PROMAX -PRODUKTE SIND GARANTIERT FREI VON MÄNGELN, DIE AUF MATERIAL- ODER FERTIGUNGSFEHLER ZURÜCKZUFÜHREN SIND. DIE GARANTIEZEIT BETRÄGT EIN JAHR UND BEGINNT MIT DEM KAUFDATUM.

FOLGENDE EINSCHRÄNKUNGEN GELTEN:

1. DIE GARANTIE GILT FÜR PRODUKTE, DIE BESTIMMUNGSGEMÄSS UND GEMÄSS BETRIEBUNGSANLEITUNG BENUTZT WERDEN. DAS PRODUKT IST AUSSERDEM ZU WARTEN WIE IN DER BETRIEBUNGSANLEITUNG BESCHRIEBEN.
2. BEI EINEM AUSFALL DES PRODUKTES WIRD DIESES IM ERMESSEN VON **Advanced Test Products** ENTWEDER REPARIERT ODER ERSETZT.
3. SÄMTLICHE TRANSPORTKOSTEN SIND VOM KÄUFER ZU TRAGEN.
4. DER GARANTIEANSPRUCH UNTERLIEGT DER UNTERSUCHUNG AUF PRODUKTMÄNGEL IM WERK. WIRD BEI DIESER UNTERSUCHUNG FESTGESTELLT, DASS KEIN FILTER VERWENDET WURDE ODER DASS DER FILTER NICHT ORDNUNGSGEMÄSS GEWARTET WURDE ODER DASS DAS GERÄT NICHT BESTIMMUNGSGEMÄSS VERWENDET WURDE, BEHÄLT SICH **Advanced Test Products** DAS RECHT VOR, DIE GARANTIE ALS NICHTIG ZU ERKLÄREN.
5. ALLE GARANTIEANSPRÜCHE MÜSSEN BEI **Advanced Test Products** WÄHREND DER GARANTIEZEIT UNTER VORLAGE DES KAUFBELEGS GELTEND GEMACHT WERDEN. DIESE GARANTIE IST NICHT ÜBERTRAGBAR.
6. BITTE BEACHTEN SIE, DASS KEIN GARANTIEANSPRUCH BESTEHT, FALLS DAS GERÄT ODER TEILE DES GERÄTES DURCH UNFALL, GEWALTANWENDUNG, UNSACHGEMÄSSE VERWENDUNG, VOM EIGENTÜMER ODER DRITTEN VORGENOMMENE ÄNDERUNGEN ODER REPARATURVERSUCHE BESCHÄDIGT WURDE.
7. TEILE, DIE NORMALER ABNUTZUNG UNTERWORFEN SIND (DICHTUNGEN, FILTER USW.), SIND VON DER GARANTIE AUSGENOMMEN, AUSSER ES WIRD VON **Advanced Test Products** FESTGESTELLT, DASS SIE MANGELHAFT SIND.
8. DIESE GARANTIE IST AUSSCHLIESSLICH UND TRITT AN STELLE VON ETWAIGEN ANDEREN GARANTIEN JEDWEDER ART (AUSDRÜCKLICH ODER IMPLIZIT), DIE FÜR DEN KÄUFER VERFÜGBAR SEIN MÖGEN.

GARANTIEANSPRÜCHE:

Garantieansprüche sind folgendermaßen geltend zu machen:

1. Senden Sie die Garantiekarte innerhalb von 14 Tagen nach dem Kaufdatum zusammen mit einer Kopie Ihres Kaufbeleges ein.

.....

GARANTIEKARTE				
Bitte ausfüllen und zur Registrierung Ihres Garantieanspruchs innerhalb von 14 Tagen nach Kaufdatum zusammen mit einer Kaufbelegkopie einschicken.				
Name des Käufers	Firmenname		Telefon	
Firmenanschrift		PLZ, Ort, Land		
Modell	Seriennr.	Kaufdatum	Händler	Verkäufer
Bitte kreisen Sie Ihr primäres Tätigkeitsfeld ein. Kfz, Handel, Wohnungsbau, nur Service, nur Installation (alles Zutreffende einkreisen)				
Wie wurden Sie auf unsere Produkte aufmerksam? (EINE Kategorie einkreisen) Postwerbung, Anzeige in Fachzeitschrift, Empfehlung durch: _____				
Welche Funktionen waren für Sie von größtem Interesse? (alles Zutreffende einkreisen)				
Hohe Produktivität, geringe Kosten, geringer Wartungsaufwand, Handling, andere: _____				

PROMAX



MANUEL D'UTILISATION RG5410A-E

TABLE DES MATIÈRES

I) La sécurité	
A) La sécurité d'abord	1
B) La Récupération et les Bouteilles	2
II) Informations générales importantes	3
III) Récupération	
A) Les procédures	4-6
Utilisation du pressostat BP	6
B) Les schémas de raccordement	7-9
C) Evacuation des gaz non condensables	10
IV) Schémas	
A) Pièces détachées	11
B) Circuit hydraulique	12
C) Schéma électrique	13
V) Sécurité Haute Pression	14
VI) Entretien de votre RG 5410A-E	15
VII) Spécifications Techniques	16
VIII) Indications utiles pour l'aspiration des fluides frigorigènes	17-19
IX) Recherche de panne éventuelle	20

Erreurs ainsi que changements des dates techniques et matériaux sont réservés sans annonce préalable.

Ce manuel d'utilisation ne doit en aucun cas être reproduit sans autorisation expresse écrite de Advanced Test Products.

LA SECURITE D'ABORD

Cet appareil ne doit être utilisé que par un technicien qualifié en vertu 92-1271 7 Décembre 1992 relatif à la manipulation de certains fluides frigorigènes dans les équipements frigorigères et climatiques.

1. Se protéger avec des lunettes et des gants.
2. S'assurer que la pièce dans laquelle vous travaillez est bien ventilée, particulièrement s'il y a une fuite dans le système. Il y a danger à partir d'une certaine concentration de fluide dans l'atmosphère.
3. Toujours penser avant d'agir. Les habitudes sont dangereuses. Une erreur peut être fatale.
4. Consulter:

Les notices des matériels que vous allez utiliser.

Les consignes de sécurité concernant la manipulation des fluides frigorigènes.
5. Ne jamais utiliser d'oxygène pour les recherches de fuites. Le mélange d'huile avec celui d'oxygène sous pression peut être explosif.
6. Couper le courant avant d'intervenir sur les circuits électriques.
7. Toujours utiliser des bouteilles de récupération éprouvées et contrôlées par le Services des Mines et les stocker dans un endroit frais et sec.
8. Toujours ouvrir les vannes de service et de la bouteille de récupération lentement. Cela permet de contrôler efficacement si l'écoulement du fluide se fait sans risque. Lorsque le technicien a déterminé que tout est normal, il peut les ouvrir complètement.
9. Ne jamais mélanger les fluides frigorigènes dans les bouteilles de récupération ou n'importe où ailleurs. Chaque fluide doit avoir sa propre bouteille, filtre, etc.
10. L'humidité est la cause de nombreux problèmes. Conserver chaque compoissant fermé, sec et propre.
11. Afin de réduire les risques d'incendie n'utilisez pas de rallonges électriques, car celles-ci peuvent surchauffer. S'il est inévitable d'utiliser une rallonge, celle-ci doit avoir un minimum de 14 AWG (section câble: 2mm^2) et ne pas être plus longue que 7,5m. Afin
de réduire les risques d'incendie, ne jamais utiliser un prolongateur électrique trop long et pas suffisamment dimensionné qui pourrait surchauffer. Cet appareil doit être utilisé dans une ambiance permettant un taux de renouvellement d'air d'au moins 4 fois le volume par heure. Ne jamais utiliser cette machine dans une atmosphère contenant des produits inflammables ou explosifs.

RG5410A-E

LA RÉCUPÉRATION DES FLUIDES FRIGORIGÈNES & LES BOUTEILLES DE RÉCUPÉRATION

La sécurité d'abord. Lire attentivement toutes les notices des matériels de sécurité concernant la manipulation des fluides y compris celles données par votre fournisseur de fluides frigorigènes. Ne jamais utiliser cet matériel en atmosphère contenant des produits inflammables ou explosifs. Porter des lunettes et des gants de sécurité. Travailler dans une ambiance ventilée. Cet appareil ne doit être utilisé que par un technicien qualifié.

***** Manipuler les bouteilles de récupération avec précaution *****

ATTENTION :

Ne jamais utiliser les bouteilles dans lesquelles sont vendus les fluides frigorigènes neufs comme bouteilles de récupération.




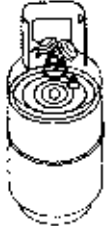
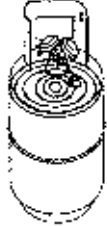


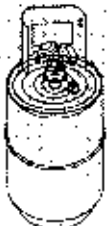


N'utiliser que des bouteilles de récupération éprouvées et contrôlées par la Service des Mines.

Les bouteilles ont une pression d'utilisation minimum 41 Bar.

Ne jamais dépasser la pression indiquée sur l'emballage.

Ne jamais remplir à 100 % en liquide les emballages. Les règles de sécurité imposent de remplir au maximum à 80 % en liquide, les 20% restant servent à l'expansion du liquide.

Le fluide se dilate avec la température et peut causer l'explosion de la bouteille si celle-ci est remplie à 100% en liquide et n'est pas équipée d'une soupape de sécurité.

Temp.de la Bouteille	16 °C	21 °C	38 °C	54 °C	66 °C
Niveau de Liquide de Base 80 VOL%					
Niveau de Liquide	80 %	81%	83%	90%	94%
Niveau de Liquide de Base 90 VOL%					
Niveau de - Liquide	90%	92%	96%	100%	

INFORMATIONS GÉNÉRALES IMPORTANTES

Ces règles sont d'ordre général et ne sont pas spécifiques à cet équipement

Avant d'utiliser cet équipement, lire ce qui suit

1. Toujours isoler les grandes quantités de fluide frigorigènes et fermer les vannes de manière à éviter toute fuite à atmosphère.
2. Remettre les nouveaux bouchons sur les vannes des bouteilles, elles peuvent fuir.
3. Travailler sur un sol stable et horizontal.
4. RG5410A-E est équipé d'un pressostat haute pression de sécurité taré à 38,5 Bar. La machine s'arrêtera si cette pression est atteinte.

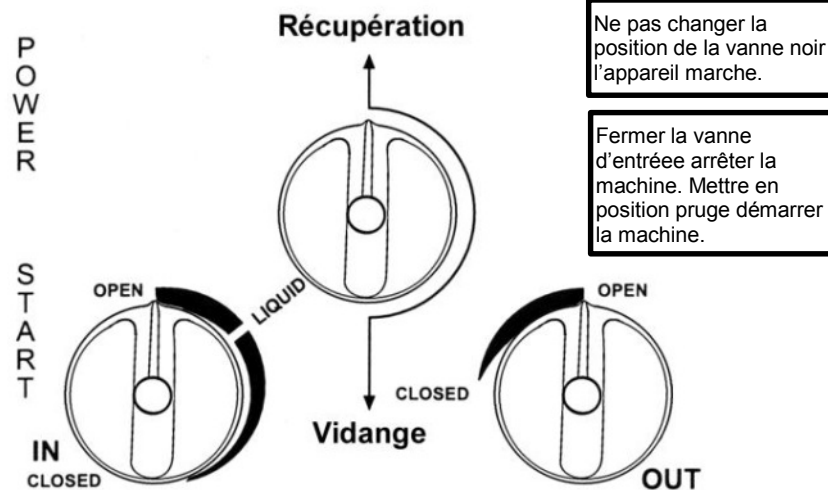
ATTENTION

Le pressostat de sécurité haute pression n'empêche pas le remplissage à 100 % en liquide des bouteilles de récupération. Si la sécurité HP coupe, la bouteille peut être remplie à 100 % et vous vous trouvez dans une situation dangereuse. Prenez immédiatement les mesures pour transvaser le trop plein dans une autre bouteille.

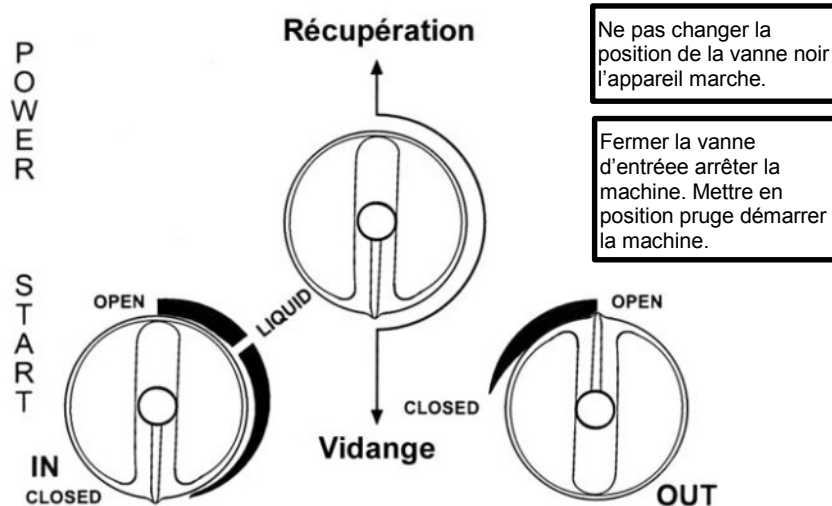
5. **ATTENTION!** Ne jamais remplir à 100 % en liquide les emballages. Le trop plein peut provoquer l'explosion de la bouteille de récupération si elle n'est pas équipée d'une soupape de sécurité.
6. Utiliser toujours une balance.
7. Lorsque l'on récupère sur un circuit ou le compresseur a grillé, utiliser un filtre à charbon actif largement dimensionné. Quand la récupération est terminée, rincer la machine avec une petite quantité de nouveau fluide frigorigène ou une quantité d'huile frigorifique puis tirer au vide avec une pompe à vide de manière à éliminer toute impureté dans le circuit de l'appareil.
8. Toujours vider RG5410A-E après utilisation. Voir la procédure de vidange de la machine.

RÉCUPÉRATION AVEC RG5410A-E LES PROCÉDURES

UTILISATION NORMALE



VIDANGE/ AUT. PURGE



IMPORTANT: Pour passer de la position Récupération à la position Vidange **Il faut impérativement:** fermer la vanne Bleue, arrêter la machine, puis mettre L'inverseur en position Vidange. Ceci afin d'éviter une coupure par le pressostat de sécurité Haute pression.

RÉCUPÉRATION AVEC RG5410A-E

PROCÉDURE POUR UNE UTILISATION NORMALE:

1. Contrôler RG5410A-E pour s'assurer qu'elle est en état de fonctionnement correct.
2. S'assurer que les raccordements sont corrects et étanches.
3. Vérifier que l'inverseur à bouton "Noir" se trouve en position "Récupération".

ATTENTION

Ouvrir et Refermer lentement les vannes de RG5410A-E pour contrôler qu'il n'y a aucune fuite.

4. Ouvrir les vannes liquide et vapeur de l'installation à vider.
5. Ouvrir la vanne liquide du by-pass.
6. Mettre la vanne d'entrée "Bleue" de la machine sur la position "Liquide".
7. Ouvrir la vanne de sortie "Rouge" de RG5410A-E.
8. Ouvrir la vanne d'entrée liquide de la bouteille de récupération.
9. Raccorder RG5410A-E à une prise de courant 220V / 50Hz / 16A:
 - a) Mettre l'interrupteur sur la position "Marche". Le ventilateur se met en marche.
 - b) Appuyer sur le bouton "Démarrage" pendant 1 seconde afin que le compresseur se mette en marche. Dans certaines conditions il peut être nécessaire de recommencer.
10. Après s'être assuré que tout fonctionne normalement, vous pouvez finir d'ouvrir complètement la vanne "Bleue" d'entrée ou jusqu'à ce vous entendiez une modification du bruit du compresseur causé par une entrée trop importante de liquide ou par une pression dans la bouteille de récupération inférieure à celle d'entrée dans la machine. Dans ce cas, refermer lentement la vanne d'entrée jusqu'à entendre un bruit normal.
11. Faire fonctionner jusqu'au niveau de vide recommandé par la réglementation en vigueur.
12. Vider RG5410A-E suivant la procédure indiquée page.

ATTENTION

Lorsque la machine pompe du liquide, ne pas ouvrir la vanne d'entrée à fond, ce qui entraînerait métallique du compresseur et le ferait caler.

RÉCUPÉRATION AVEC RG5410A-E

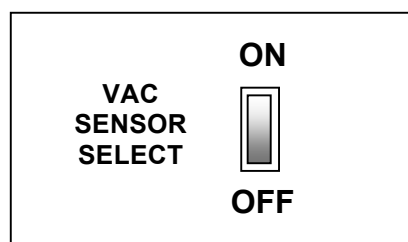
PROCÉDURE POUR VIDER L'APPAREIL:

1. Fermer la ou les vannes liquide et vapeur de l'installation qui vient d'être vidée.
2. Fermer la vanne d'entrée (Bleue) sur RG5410A-E (Position CLOSED).
3. Mettre l'interrupteur sur la position Arrêt.
4. Mettre la vanne d'inversion NOIRE sur la position VIDANGE (PURGE).
5. Redémarrer RG5410A-E.
6. Faire fonctionner jusqu'au niveau de vide désiré.
7. Fermer les vannes de la bouteille de récupération.
8. Arrêter RG5410A-E.
9. Fermer la vanne de sortie (Rouge) sur la position fermé (CLOSED).
10. Mettre la vanne d'inversion NOIRE sur la position Récupération (RECOVER).
11. Démonter et ranger les flexibles de votre RG5410A-E.
12. Changer toujours le filtre d'entrée de RG5410A-E après aspiration de fluides frigorigènes particulièrement sales.

Utilisation du pressostat BP

La RG5410-AE LP est équipée d'un pressostat Basse Pression qui peut être mis en service ou non (sélecteur VAC Capteur).

Quand le pressostat BP est en service (sélecteur en position "ON"), l'unité s'arrêtera automatiquement à 0,45 bar absolu. Quand le pressostat n'est pas en service (sélecteur en position "OFF"), l'unité continuera à fonctionner même si la pression de l'installation se rapproche de 0 bar.



INFORMATIONS COMPLÉMENTAIRES

Pour atteindre le niveau de vide le plus bas, utiliser la méthode de refroidissement de la bouteille pour diminuer sa pression interne. Répéter l'opération si nécessaire pour descendre le plus bas possible. Noter que si la bouteille ne contient pas de liquide, le refroidissement ne pourra pas se faire. Dans ce cas, utiliser une bouteille tirée au vide pour obtenir le niveau de vide final.

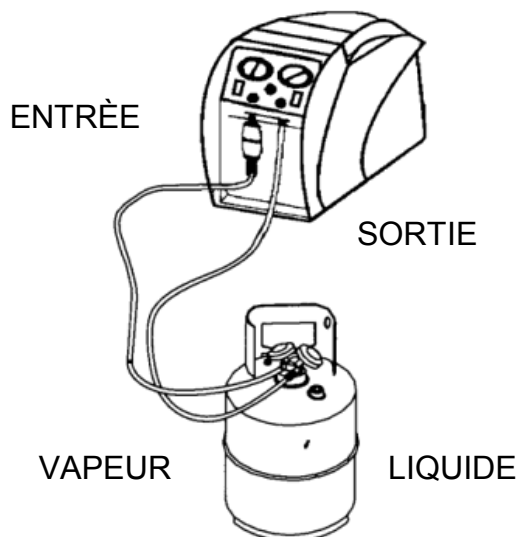
Pour obtenir les meilleures performances de votre RG5410A-E, utiliser des flexibles d'un diamètre 3/8" ou plus gros à l'aspiration et le plus court possible. Nous recommandons 90 cm. Toujours démonter les valves Schrader des raccords afin de limiter les restrictions.

Refroidir la bouteille de récupération si la pression dépasse 31,5 bar.

Lorsque de grandes quantités de fluide frigorigène doivent être récupérées, commencer par la méthode de mise en surpression de l'installation.

ATTENTION: Quand vous utiliser cette méthode, toujours utiliser une balance pour contrôler le remplissage à 80% de la bouteille de récupération. Lorsque le siphon est amorcé, le remplissage de la bouteille continue même si RG5410A-E est arrêtée et peut remplir à 100% en liquide l'emballage. Il faut fermer manuellement le robinet d'entrée de la bouteille pour éviter le trop plein. Toujours utiliser des bouteilles d'une capacité adaptée à la quantité de fluide contenu dans l'installation.

SCHÉMA DE RACCORDEMENT POUR REFROIDIR LA BOUTEILLE DE RÉCUPÉRATION



Pour que le système fonctionne, il faut qu'il y ait au moins 2,5 kg de fluide frigorigène dans la bouteille de récupération.

Régler la vanne de sortie " Rouge " de la machine de manière à obtenir une pression sur le manomètre haute pression supérieure d'au moins 7 bar (100 psi) à la pression d'entrée lue sur le manomètre basse pression, mais jamais plus de 31,5 bar (450 psi).

Faire fonctionner jusqu'à ce que la bouteille de récupération soit froide.

SCHÉMA DE BRANCHEMENT POUR RÉCUPÉRATION EN PHASES LIQUIDE ET VAPEUR

Cette méthode est la plus rapide pour la récupération en phase vapeur.

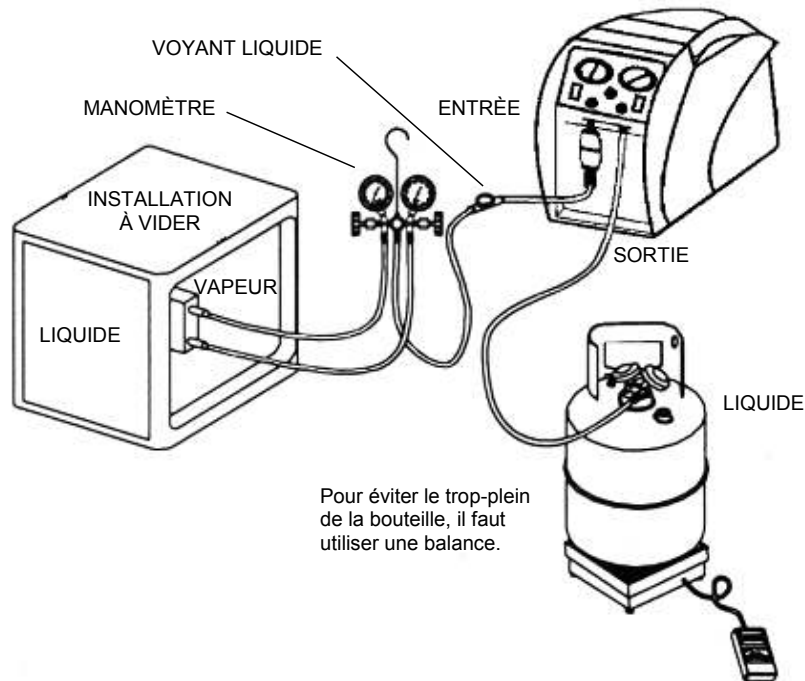
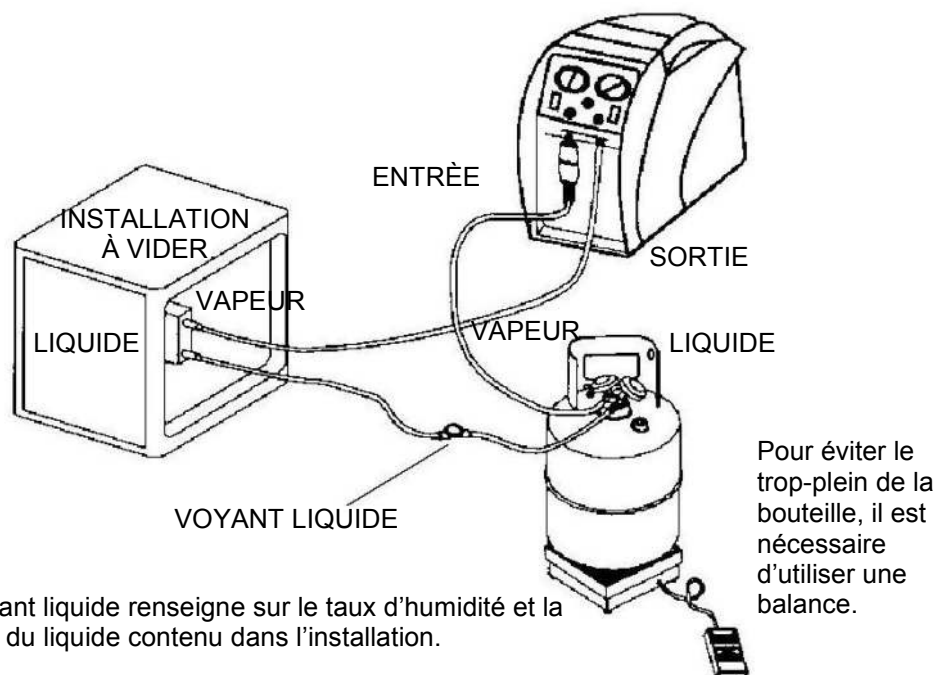


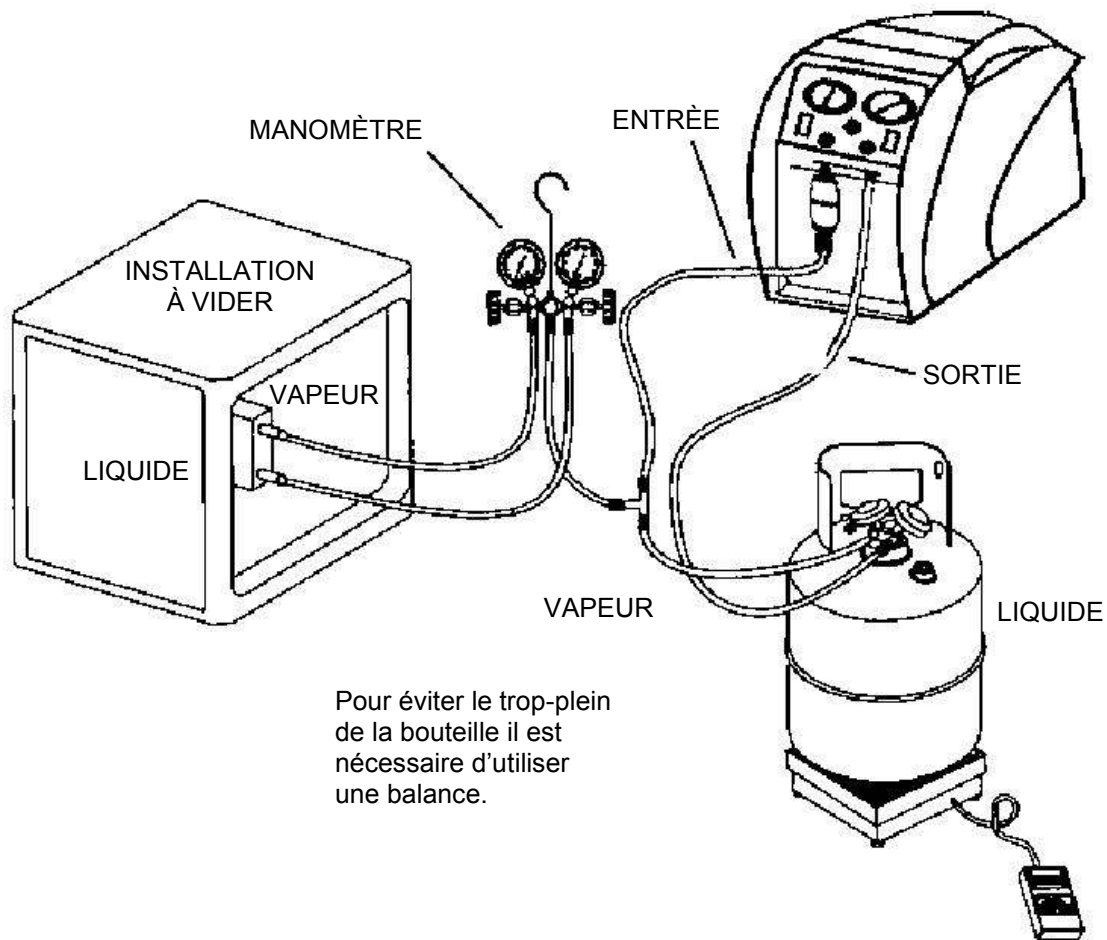
SCHÉMA DE BRANCHEMENT POUR RÉCUPÉRATION PAR SURPRESSION DE L'INSTALLATION

La méthode par surpression ne fonctionne que dans les grandes installations dans lesquelles le liquide est bien accessible. Cette méthode ne doit pas être employée dans les installations qui contiennent moins de 7 kg car elle risque de ne pas fonctionner.



Le voyant liquide renseigne sur le taux d'humidité et la qualité du liquide contenu dans l'installation.

SCHÉMA DE RACCORDEMENT POUR RÉCUPÉRER ET REFROIDIR LA BOUTEILLE DE RÉCUPÉRATION



Ce schéma de branchement permet de faire indifféremment de la récupération en phases liquide et vapeur et de refroidir la bouteille si nécessaire, sans avoir à démonter les flexibles.

Récupération normale: La vanne vapeur de la bouteille de récupération est fermée.

Refroidir la bouteille de récupération: La vanne vapeur de la bouteille de récupération est ouverte, et les deux vannes du by-pass sont fermées.

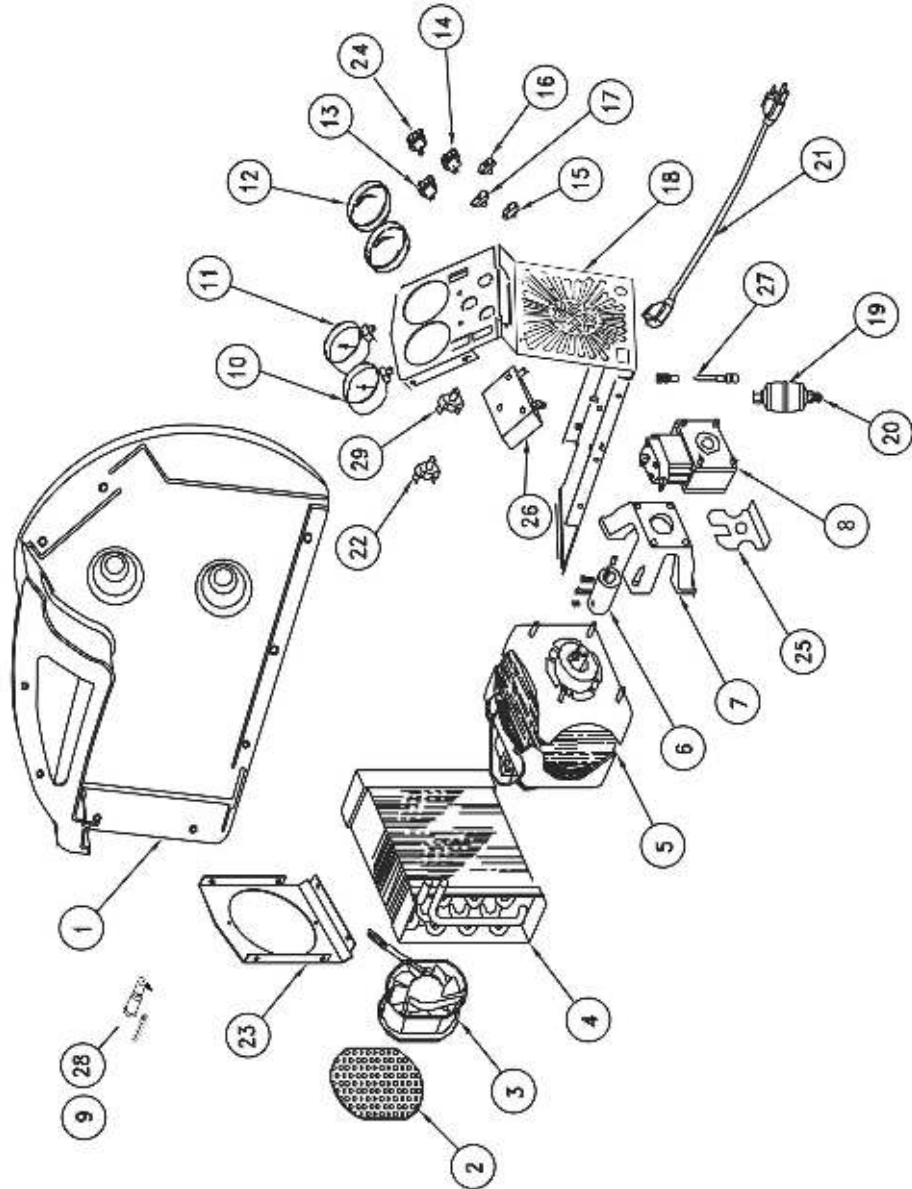
ASPIRATION AVEC LE RG5410A-E

L'évacuation des gaz non condensables d'un fluide dans une bouteille.

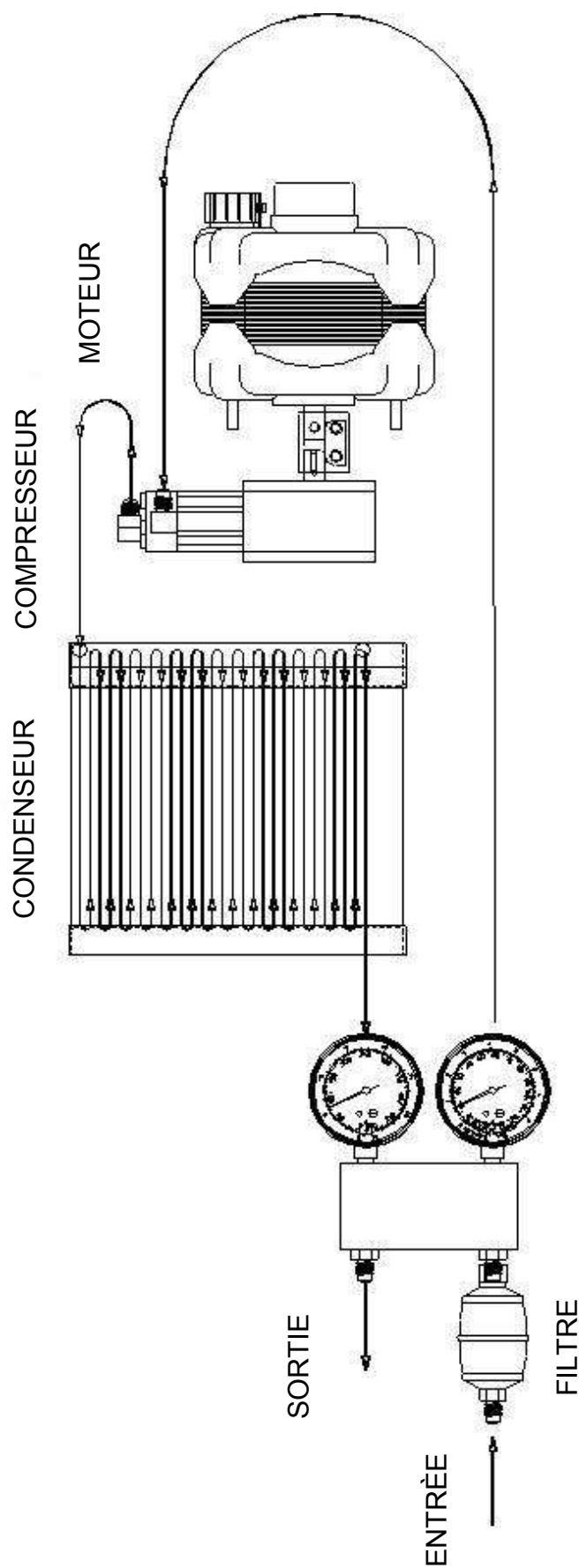
1. Laisser la bouteille tranquille pendant 24 heures. Ainsi les gaz non condensables peuvent monter.
2. Installer la batterie du manomètre à la bouteille et lire la pression dans la bouteille.
3. Déterminer la température environnante dans la pièce.
4. Comparer la température avec la pression du fluide. Utiliser pour ceci les tableaux de température et de pression adéquates.
5. Lorsque la pression lue est plus haute que la pression donnée par le tableau, ouvrir lentement la vanne vapeur. Faire ceci très lentement pour éviter des turbulences dans la bouteille. Observer au manomètre la baisse de pression. Additionner à la pression qui est donnée dans le tableau 0,3 jusqu'à 0,35 bar. Fermer la vanne vapeur à la bouteille lorsque l'indication du manomètre concorde avec celle-ci.
6. Laisser la bouteille tranquille pendant 10 minutes et mesurer de nouveau la pression.
7. Si nécessaire, répéter l'opération décrite ci-dessus.

PIÈCES DÉTACHÉES RG5410A-E

Pos.	Désignation	No. Code
1	Carrosserie	100134 L&R
2	Grille de ventilateur	100505
3	Ventilateur	IEL1818
4	Condenseur	CD1201
5	Moteur électrique	IEL1822
6	Accouplement	CP1315
7	Support	CP1001
8	Compresseur	CP1320
9	Fusible 5x20mm	100406
10	Manomètre entrée	GA1500
11	Manomètre sortie	GA0800
12	Manomètre protégé	GA1000
13	Interrupteur	IEL1310
14	Bouton démarrage	IEL1309
15	Bouton entrée	100123
16	Bouton sortie	100124
17	Bouton d'inverseur	100122
18	Face avant	110-200395-001
19	Filtre d'entrée	100343
20	Bonnet	INB6501
21	Câble d'alimentât	135-200341-001
22	Pressostat HP	EL2802
23	Face après	100318
24	Sélecteur	105-200396-001
25	Support de compresseur	100207
26	Distributeur	700009
27	Association filtre	100345
28	Support fusible	100419
29	Capteur de vide	113726



CIRCUIT HYDRAULIQUE

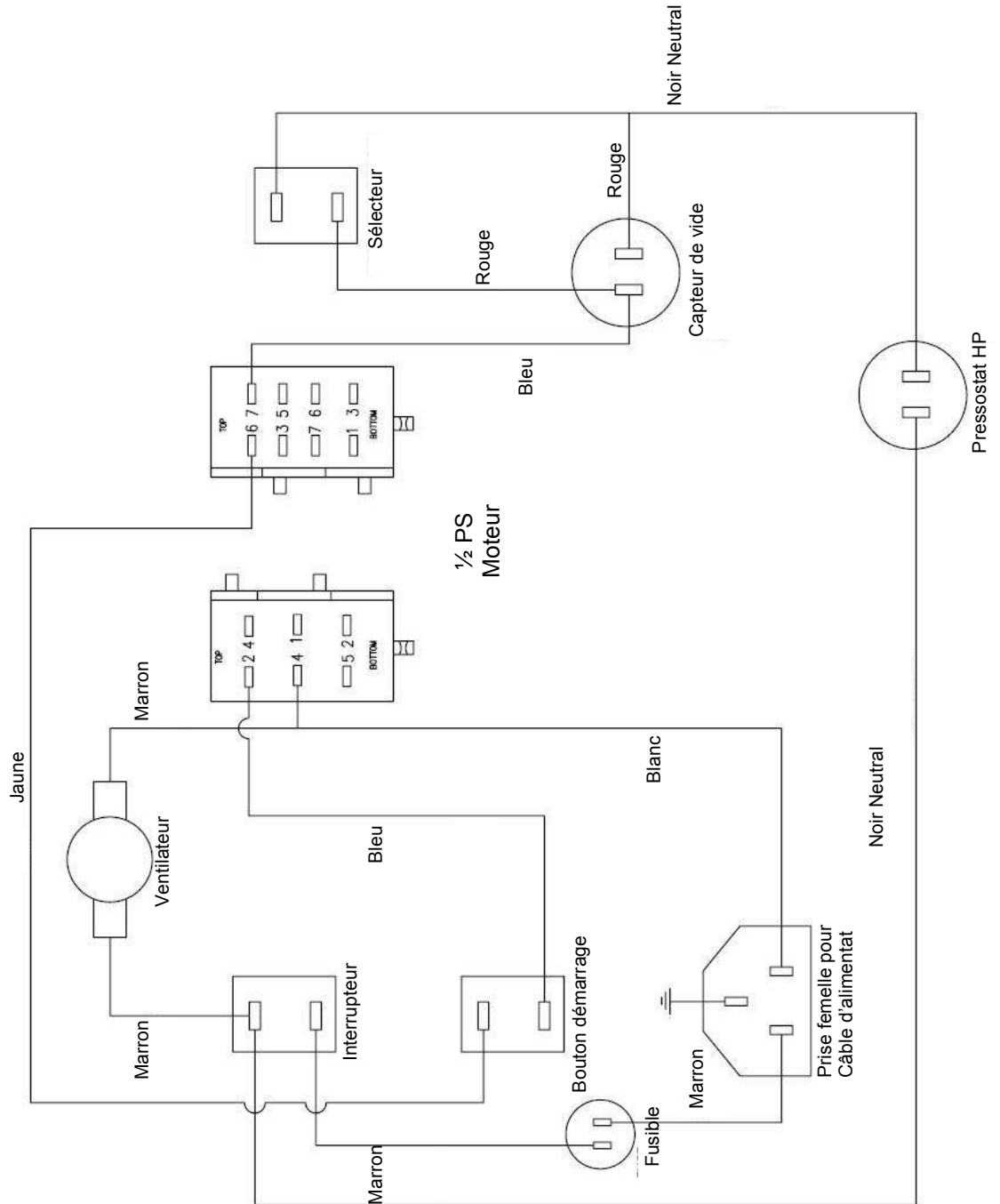


INFORMATION IMPORTANTE:

Toujours utiliser un filtre à l'entrée de l'appareil. Une utilisation de RG5410A-E sans filtre annule la garantie. Ce filtre protège le compresseur en réduisant les risques de laisser rentrer des corps étrangers dans la machine.

Des précautions particulières doivent être prises lorsque vous devez récupérer un fluide dans une installation où vous savez que le compresseur a grillé. Nous recommandons dans ce cas de monter deux filtres antiacide type 162 à l'entrée de l'appareil.

SCHÉMA ÉLECTRIQUE STANDARD



SÉCURITÉ HAUTE PRESSION À RÉARMEMENT MANUEL

RG5410A-E est équipée d'un pressostat haute pression à réarmement manuel. Si la pression dépasse 38,5 bar, l'appareil se met en sécurité HP.

Si le pressostat coupe pendant un remplissage de bouteille de récupération, cela peut être dû à un sur-remplissage de cette bouteille.

Ceci est une situation dangereuse ! Vous devez agir immédiatement de manière à réduire la pression et/ou vider partiellement la bouteille.

Quand la sécurité HP agit, arrêter immédiatement RG5410A-E.

Prendre les précautions suivantes:

a) Si la bouteille de récupération est sur-remplie

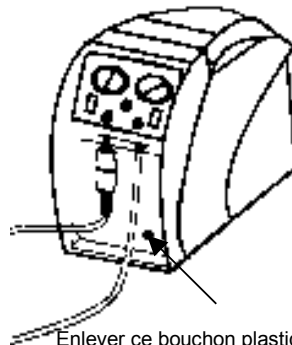
Connecter une bouteille de récupération vide de manière à réduire la pression de la première à un niveau normal. Cela réduit aussi la pression en sortie de RG5410A-E. Ensuite continuer la récupération après avoir réarmé le pressostat haute pression. (Voir ci-dessous)

b) Pourquoi le pressostat haute pression se met en sécurité ?

- 1) Contrôler que la bouteille de récupération n'est pas sur-remplie.
- 2) Fermer toutes les vannes du système: bouteille et RG5410A-E.
- 3) Débrancher la prise de courant.
- 4) Enlever les flexibles de RG5410A-E.
- 5) Ouvrir les vannes d'entrée et de sortie très lentement.
- 6) Chercher la raison de la coupure.

Le pressostat haute pression doit être réarmé comme suit:

- I) Enlever le bouchon plastique Noir situé en bas et à droite de la face avant.
- II) À l'aide d'un tournevis pousser verticalement sur le bouton du pressostat. Remettre le bouchon.
- III) Remonter les flexibles et continuer la récupération.



Enlever ce bouchon plastique noir pour réarmer le pressostat.

ENTRETIEN DE VOTRE RG5410A-E

Toujours utiliser un filtre à l'entrée de l'appareil et le remplacer régulièrement. Une utilisation de RG5410A-E sans filtre annule la garantie. Ce filtre protège le compresseur en réduisant les risques de laisser rentrer des corps étrangers dans la machine.

Des précautions particulières doivent être prises lorsque vous devez récupérer un fluide dans une installation où vous savez que le compresseur a grillé. Nous recommandons dans ce cas de monter deux filtres antiacide type 162 à l'appareil.

Nous recommandons également d'utiliser un filtre par fluide frigorigène. Chaque filtre doit être repéré et être utilisé exclusivement pour un fluide.

Ne pas utiliser cette machine à proximité de stockage de gaz et liquides inflammables ou explosifs.

Ne pas utiliser RG5410A-E dans des atmosphères qui nécessitent du matériel antidéflagrant.

Éviter des rallonges électriques trop longues et d'une section trop faible qui risquent de chauffer.

Toujours vider RG5410A-E du fluide résiduel après utilisation.

Si la machine doit être stockée ou ne pas être utilisée pendant quelques semaines, la tirer au vide avec une pompe à vide et la nettoyer par un balayage à l'azote.

Si vous devez ouvrir la carrosserie plastique, assurez vous que la RG5410A-E n'est pas branchée.

SPECIFICATIONS TECHNIQUES

RG5410A-E

Utilisation	Aspiration de fluides frigorigènes liquides et gazeux
Les fluides frigorigènes	R12, R22, R134A, R401A, R401B, R401C, R402A, R402B, R404A, R406A, R407A, R407B, R407C, R407D, R408A, R409A, R410A, R411A, R411B, R412A, R500, R502, R507, R509
Alimentation électrique	230V / 50 Hz
Puissance électrique	380 W
Dimensions	330 x 229 x 483 mm
Poids	14,5 kg
Révolutions	1437 r/min
P max.	38,5 bar
Fuse	5x20, à action retardée, 8A 250V
Sécurité haute pression	Pressostat haute pression à réarmement manuel Type P100 DA, si la pression dépasse 38,5 bar

ATTENTION

RG5410A-E ne doit pas être utilisé avec des gaz inflammables ou contenant de l'ammoniaque.

INDICATIONS UTILES POUR L'ASPIRATION DE FLUIDES

La récupération de fluides frigorigènes s'est énormément développée lors des dernières années.

Vu d'une façon superficielle c'est un procédé simple, le fluide va être récupéré de l'installation et rempli dans une bouteille. Ce procédé d'une façon relativement simple peut certes poser vite des problèmes lorsque l'on a pas mesuré correctement l'ampleur de quelques particularités. Ici donc, quelques conseils et remarques qui résultent de l'expérience des dernières années, et qui serviront à un déroulement sans problèmes avec gain de temps.

Tout d'abord vous devez déterminer la sorte et la quantité du fluide qui détermine l'installation. Si vous constatez qu'il s'agit d'une installation qui a grillé vous avez besoin d'une bouteille spéciale qui est faite pour les gaz inconnus ou pour les fluides provenant d'une installation qui a grillé. De plus, un filtrage est nécessaire avant la récupération.

Si vous savez d'autre part qu'il s'agit d'un fluide relativement propre et neuf vous devez utiliser une bouteille neuve, si vous avez l'intention de réutiliser le fluide ou de le remettre dans l'installation après l'opération, utilisez une bouteille dont le contenu est semblable au fluide.

Un conseil concernant l'organisation de protection de l'environnement : si vous utilisez une grande quantité de fluides et vous ne possédez qu'une bouteille pour vos travaux d'inspection, vous courrez des ennuis. Vous êtes bien conseillé en sachant que vous devez avoir une bouteille pour chaque type de fluide, plus une bouteille pour les fluides résultant d'installations qui ont grillé plus une bouteille pour les fluides d'origine inconnue.

Pour la planification du stock

La quantité de fluides est importante pour la planification de besoins de stockage ainsi que pour la récupération. C'est pourquoi par exemple chaque système avec une quantité de fluides de plus de 2,27 kg doit avoir des zones de réception. Une possibilité de récupération rapide du fluide consiste à évacuer d'abord la partie liquide de l'installation et ensuite d'enlever la partie vapeur.

La plupart des installations ne permettent pas d'enlever le fluide simple du circuit frigorifique. La raison est qu'il ne se trouve pas d'endroits d'échappement au point le plus bas de l'installation. Lorsque des pièces de l'installation sont à entretenir, on économise beaucoup de temps en posant des endroits d'échappement aux points les plus bas où le fluide peut s'accumuler. Etant donné que la plupart des installations ne possèdent pas d'échappements vous devez être préparé à ce que, lorsque vous trouvez des accumulations de fluides de chauffer celles-ci à l'aide d'un pistolet de chauffage.

Un indicateur pour l'accumulation de fluide dans une installation est un gel ou le condensât qui se forme à l'endroit de la conduite à laquelle le fluide est contenu. Le fluide enfermé peut se trouver dans une zone qu'on ne peut pas examiner.

En tout cas l'accumulation de fluides ralentit la procédure de récupération des fluides indifféremment du type ou de la grandeur de la machine utilisée.

S'il n'est pas possible de localiser l'accumulation de fluides (à cause de la longue procédure de récupération, on peut obtenir la certitude que le fluide s'est accumulé) vous devez mettre en route pour quelques secondes le compresseur de l'installation (si possible). Ceci a pour effet, que le fluide enfermé sera déplacé dans un autre endroit de l'installation.

TUYAUX ET VALVES

Les tuyaux et les valves Schrader ont une grande influence sur la vitesse de récupération des fluides. En général : Plus le tuyau est grand, plus petit est le frottement, et plus court est le temps de récupération. Beaucoup d'utilisateurs utilisent aujourd'hui des tuyaux 3/8" à l'entrée du dispositif d'aspiration bien que les raccords soient de 1/4".

Il est conseillé d'enlever les valves Schrader avant de commencer l'aspiration. La plupart des grossistes proposent un outil pour les enlever tout en laissant le raccordement fermé. Le Tuyau abaisse de baseau bout du tuyau devrait aussi être enlevé. Ces deux mesures peuvent éviter qu'une aspiration, qui dans un cas normal, ne dure que quelques minutes, ne s'étende sur plusieurs heures. Ainsi assurez-vous qu'avant chaque récupération les valves Schrader et le Tuyau abaisse de base soient enlevés. Un autre point auquel vous devez faire attention est le joint en contact avec le branchement. Les bagues d'étanchéité peuvent s'être échauffées et déformées de façon à ce qu'elles bouchent le joint des tuyaux.

Ceci ne se remarque pas au remplissage de l'installation car la pression ouvre la bague d'étanchéité mais pendant l'aspiration le joint ralentit énormément la fluidité du réfrigérant.

Récupération du réfrigérant

Des prescriptions valables disent que les réfrigérants utilisés ne doivent être ni vendus ni utilisés dans des installations étrangères avant qu'ils ne soient examinés en laboratoires et qu'ils suffisent aux exigences de ARI 700 (dernière édition). D'où en résulte le fait, que dans la plupart des cas il n'est pas économique de traiter les réfrigérants et de vérifier si ceux-ci suffisent aux exigences de ARI 700. Il est néanmoins utile de nettoyer au maximum le réfrigérant et de le reconduire dans la même installation.

Nous conseillons l'utilisation du plus grand filtre avec grande capacité qui soit économiquement acceptable. Utilisez ce filtre sur le côté aspirant et changez-le souvent. Par écoulement de grandes quantités de réfrigérants liquides il peut se trouver souvent une quantité importante d'huile, s'il n'y a pas de séparateur d'huile dans l'installation. Lorsque le réfrigérant enlevé ne doit pas retourner en état liquide dans la même installation, vous devrez éventuellement séparer l'huile du réfrigérant pour déterminer la quantité d'huile et pour savoir combien d'huile vous devez compléter dans l'installation.

En tout cas il n'est pas nécessaire de séparer l'huile pour les réfrigérants qui doivent retourner dans l'installation. La possibilité la plus simple et la plus économique de la séparation de l'huile consiste à mettre une bouteille de consistance de 13,61 jusqu'à 22,68 kg devant la machine à aspirer. Mettez l'installation en contact avec le raccordement liquide de la bouteille. Joignez la vanne vapeur de la bouteille avec l'entrée de la machine à aspirer. Maintenant branchez une deuxième bouteille à la sortie de la machine qui accumule le réfrigérant. S'il s'agit d'une grande quantité de réfrigérant liquide vous aurez besoin d'un préchauffeur pour la première bouteille. Lorsque l'aspiration est terminée l'huile peut être évacuée de la première bouteille en mettant une faible pression au raccordement de la bouteille (utilisez Nitrogène) et l'huile sera repoussée de l'autre côté.

Si vous voulez pousser l'huile par le raccordement vapeur de la bouteille vous devez retourner la bouteille. Protégez-vous avec des lunettes car l'huile peut contenir des acides qui peuvent provoquer de graves brûlures.

PRÉVENTION CONTRE L'ENCRASSEMENT

Pendant le processus d'aspiration votre machine peut faire l'objet de dépôts de plomb, de cuivre ou de laiton qui peuvent produire des dégâts. D'autres saletés peuvent être produites par le contenant du réfrigérant. Pour rallonger la durée de vie de votre machine utilisez toujours un filtre d'entrée. Quelque soit l'installation à remplir, il est toujours sage d'utiliser un filtre pour éviter les impuretés. Et là aussi un conseil : changez le filtre le plus souvent possible.

Écoulement des réfrigérants fluides

La méthode de traction et de compression qui est employée pour enlever de grandes quantités de réfrigérants de l'installation est basée sur la différence de pression qui est produite par la machine d'aspiration.

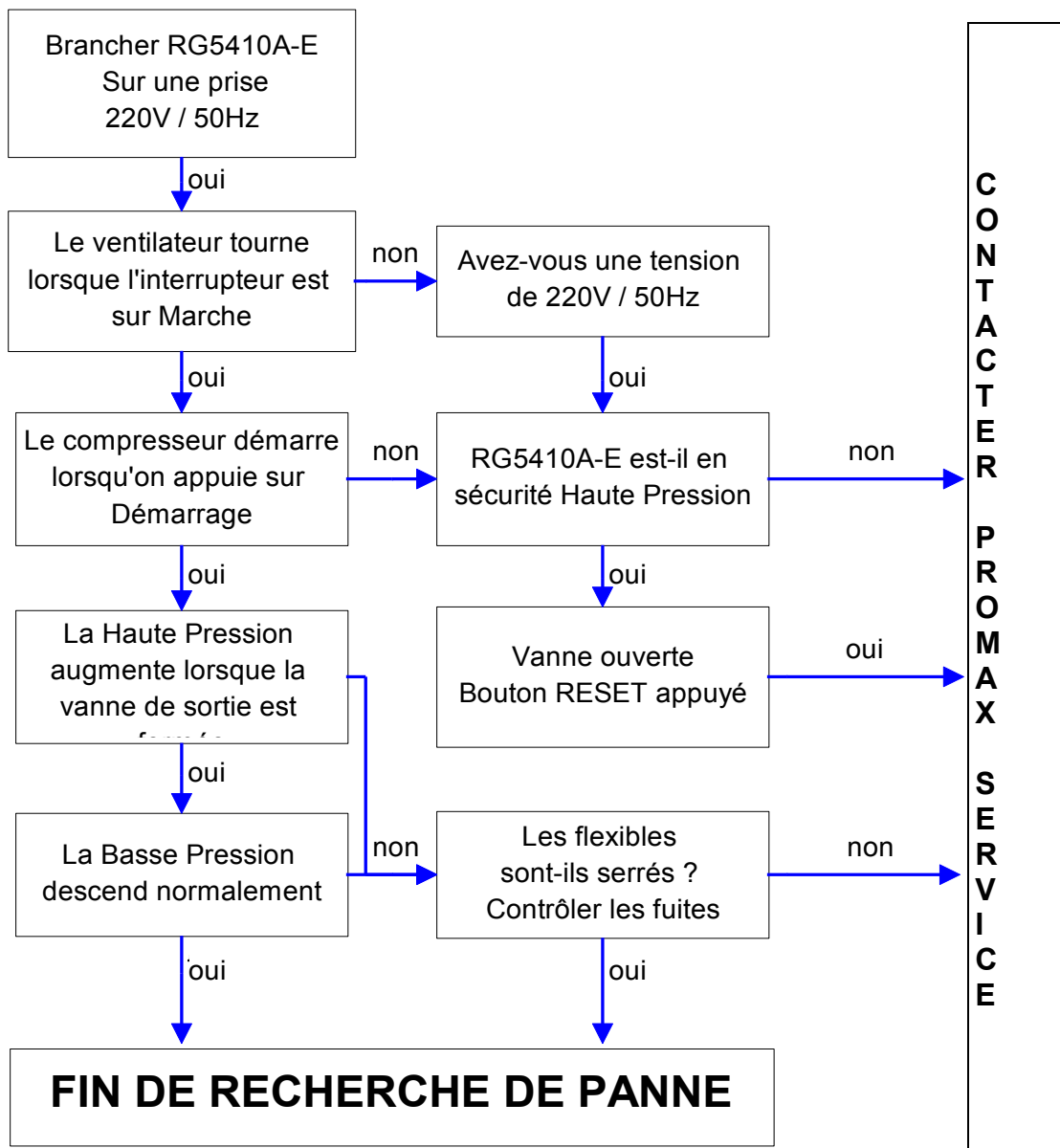
La méthode de traction et de compression ne peut pas être utilisée en général pour des petites installations car il ne se trouve pas dans celles-ci assez de réfrigérants, où un siphon ne peut se former.

La méthode de traction et de compression est en général employée pour des installations qui contiennent un réservoir où dont la quantité de réfrigérants dépasse 9,07 kg. De plus, on l'emploie pour le transfert du réfrigérant d'une bouteille à une autre. Le transport du liquide dépend beaucoup de la grandeur des tuyaux utilisés. Avec de grands tuyaux on obtient un bien meilleur débit. Une autre simplification de l'aspiration peut être atteinte lorsque le réservoir avant ou pendant l'aspiration du réfrigérant est refroidi. Cette mesure abaisse la pression dans la bouteille et accélère l'aspiration. La quantité minimum de réfrigérant liquide que vous voulez refroidir doit être de 2,27 kg dans la bouteille. Le refroidissement peut avoir lieu avant ou pendant l'aspiration.

Observez s'il vous plaît, les 2 diagrammes pour ces procédés dans ce manuel d'utilisation. Par ce procédé utiliser la machine à aspirer pour montrer une installation dans laquelle la bouteille est l'évaporateur. Si vous baissez la soupape d'échappement vous produisez ainsi un tube capillaire ou un dispositif d'expansion. Un refroidissement de 5 à 10 minutes peut en dépendance des conditions prépondérantes produire un énorme refroidissement de la bouteille. S'il ne se trouve pas de condensable dans la bouteille ce procédé ne fonctionne pas. Plus la quantité de réfrigérant dans la bouteille est grande, plus longtemps durera ce procédé.

RECHERCHE DE PANNE ÉVENTUELLE

LA SÉCURITÉ D'ABORD



PROMAX



Manuale d'uso RG5410A-E

Indice

Il Sistema Sicuro e' l'unico Sistema !!!	1
Recupero di gas refrigerante & suo contenimento	2
Contenitori per immagazzinamento refrigerante	2
Informazioni generali importanti	3
Auto-Pulizia dell'RG5410A-E	4
Funzionamento del RG5410A-E	5
Procedura per recupero da un sistema normale	5
Procedura per la pulizia delle rimanenze di refrigerante dall'RG5410A-E	6
Utilizzo Interruttore Bassa Pressione	6
Ulteriori informazioni sull'RG5410A-E	7
Procedura di preraffreddamento o sottoraffreddamento del contenitore	7
Schema di preparazione per il recupero di refrigerante	8
Diagramma di preparazione per il metodo "Push-Pull"	8
Recupero opzionale preraffreddamento o sottoraffreddamento del contenitore	9
Scarico degli incondensabili da un refrigerante identificato in un contenitore	10
Lista die componenti	11
Schema flusso refrigerante	12
Schema elettrico	13
Pressostato di sicurezza (con funzione di ripristino manuale)	14
Manutenzione e cura	15
Dati tecnici dell'RG5410A-E	16
Tabella diagnostica	17
Informazioni importanti per il recupero di refrigerante	18

ATTENZIONE !

IL SISTEMA SICURO E' L'UNICO SISTEMA !!!

NB: QUESTA APPARECCHIATURA DEVE ESSERE UTILIZZATA SOLTANTO DA PERSONE CHE CONOSCONO IL SETTORE DELLA REFRIGERAZIONE !

1. L'utilizzatore deve sempre portare occhiali di protezione e guanti quando lavora con sistemi refrigeranti. Si raccomanda anche di proteggersi le orecchie, visto che l'RG5410A-E può eccedere i 70 dB (A) durante il funzionamento.
2. Verificare che nella stanza in cui viene utilizzata l'RG5410A-E ci sia sempre una buona ventilazione, soprattutto se si sospetta una fuga. Il vapore del refrigerante è pericoloso per la salute e può essere dannoso.
3. Riflettere sempre prima dell'utilizzo. La familiarità con l'apparecchio ha per conseguenza la disattenzione e quest'ultima può essere dannosa per la salute o peggio, essere fatale.
4. Leggere la scheda di sicurezza di tutti i componenti con cui si è in contatto. Leggere la scheda di sicurezza sul refrigerante e l'olio per refrigerante. Richiedere le schede di sicurezza presso il fornitore.
5. Non usare mai ossigeno mentre si cercano fughe. Qualsiasi olio che entra in contatto con ossigeno sotto pressione forma una miscela esplosiva.
6. I sistemi refrigeranti funzionano generalmente con elettricità. Verificare che l'unità sia sconnessa dalla fonte di alimentazione prima di provvedere alla sua manutenzione.
7. Immagazzinare sempre i contenitori di refrigeranti in un posto fresco e asciutto.
8. Aprire sempre i rubinetti di servizio e quelli dei cilindri lentamente. Questo permette di controllare il flusso dei gas se c'è qualche pericolo. Una volta determinato che non c'è nessun pericolo, i rubinetti possono essere aperti completamente.
9. Non mischiare refrigerante in un sistema, in un contenitore o in qualsiasi altro posto. Ogni tipo di refrigerante deve avere il proprio contenitore, i propri filtri, ecc.
10. Se dell'umidità entra nel sistema frigorifero, essa lo danneggerà. Mantenere tutto ciò che è legato al sistema frigorifero asciutto e pulito.
11. Per ridurre il rischio di incendio, evitare di usare prolunghie perché potrebbero surriscaldarsi. Se si deve usare una prolunga, non deve essere più lunga di 15 piedi. Quest'apparecchiatura deve essere usata in locali provvisti di ventilazione meccanica, con almeno quattro ricambi d'aria all'ora, oppure l'apparecchiatura deve essere posta almeno a 18 pollici al di sopra del pavimento. Non usare l'apparecchiatura vicino a contenitori di benzina aperti o rovesciati o vicino a qualsiasi liquido infiammabile.

GAS REFRIGERANTE: RECUPERO & CONTENIMENTO

Prima di tutto, la sicurezza. Leggere attentamente tutte le informazioni per l'uso sicuro dei gas refrigeranti, incluso le schede tecniche di sicurezza fornite del vostro rivenditore di gas.

Non usare mai l'apparecchio in un ambiente esplosivo. Indossare occhiali di sicurezza e guanti di protezione. La zona in cui si opera deve essere ben ventilata.

Questa apparecchiatura deve essere usata solamente da personale tecnico qualificato.

ATTENZIONE: CONTENITORI PER LO STOCCAGGIO DEL GAS

Usare solo cilindri approvati per un funzionamento ad una pressione minima di **41 bar** e che rispondano ai requisiti delle normative in vigore.

NOTA: I cilindri di recupero sono costruiti per diverse pressioni di funzionamento. **NON** superare mai tale pressione.

Le istruzioni di di sicurezza raccomandano, normalmente che un cilindro chiuso non sia mai riempito oltre 80% del volume con del liquido. Il restante 20% è denominato spazio per l'eccesso di pressione.

TEMPERATURA
DEL CILINDRO

16 °C

21 °C

38 °C

54 °C

66 °C

PARTENDO CON
UN CILINDRO
RIEMPITO ALL'
80% DEL VOLUME



SPAZIO OCCUPATO
DAL LIQUIDO

80 %

81%

83%

90%

94%

PARTENDO CON
UN CILINDRO
RIEMPITO ALL'
80% DEL VOLUME



SPAZIO OCCUPATO
DAL LIQUIDO

90%

92%

96%

100%

INFORMAZIONI GENERALI IMPORTANTI

PRIMA DI FAR FUNZIONARE L'UNITÀ DI RECUPERO RG5410A-E, LEGGERE LE INFORMAZIONI SEGUENTI:

- 1) Isolare sempre le grandi quantità di refrigerante e chiudere i rubinetti dopo l'uso, così che in caso di una perdita nel sistema, il refrigerante non fuoriesce.
- 2) I cilindri d'immagazzinamento hanno rubinetti che a volte non sono perfettamente a tenuta.
Lasciare i cappucci su questi rubinetti per non aver nessuna perdita di refrigerante.
- 3) Far funzionare l'unità su una superficie piana.
- 4) L'unità RG5410A-E ha un pressostato interno . Se la pressione all'interno del sistema dovesse superare 38,5 bar, il sistema si spegne automaticamente.

AVVERTENZE!

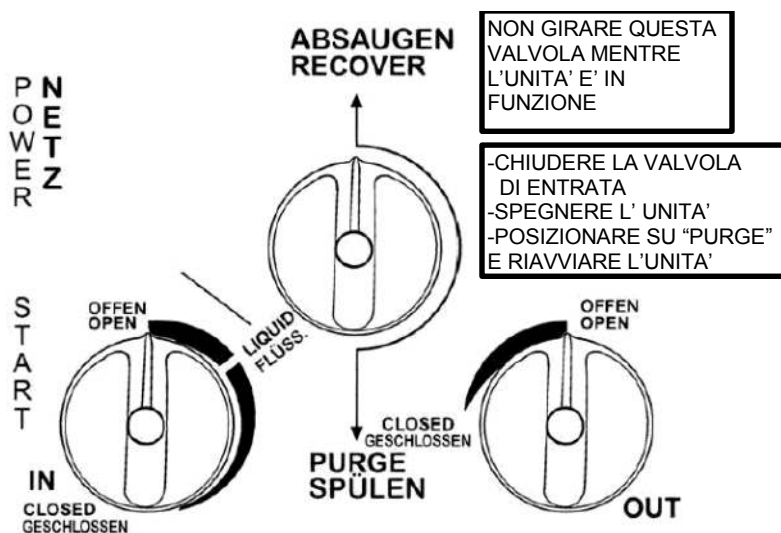
Il pressostato di massima non impedisce di riempire il contenitore in eccesso. Se il sistema si chiude ad alta pressione ed è connesso al contenitore, può darsi che quest'ultimo sia stato riempito troppo ed è **pericoloso!** Prendere misure immediate per rimediare all'alta pressione e/o all'eccessivo riempimento del contenitore.

ATTENZIONE!

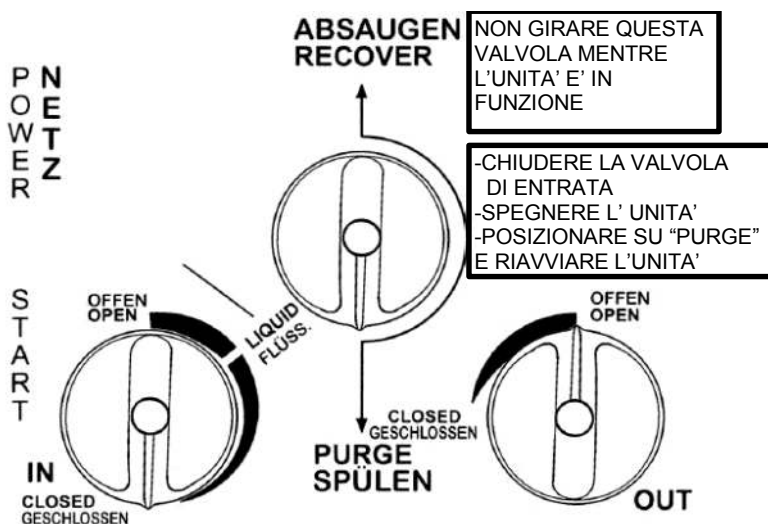
- 5) Mai riempire in eccesso contenitori di immagazzinamento. L'eccessivo riempimento può far esplodere i contenitori.
- 6) E' consigliato usare contenitori e filtri per un solo refrigerante. Prima di usare un contenitore precedentemente già usato per un altro refrigerante, vuotare completamente il contenitore, evacuarlo, spurgarlo con azoto secco, e rievacuarlo.
- 7) Stare molto attenti quando si effettua un recupero da un sistema il cui compressore risulta bruciato.
Utilizzare due filtri antiacido di alta capacità, in serie.
Quando il recupero è terminato, lavare l'RG5410A-E con una piccola quantità di olio per refrigerante e una piccola quantità di refrigerante pulito per togliere ogni sostanza estranea rimasta nell'unità.
- 8) Vuotare sempre il refrigerante dall'unità in un contenitore di immagazzinamento;
Vedi la procedura pag 7.
Il refrigerante liquido rimasto nel condensatore può espandersi e causare danni ad altri componenti.

AUTO-PULIZIA DELL'RG5410A-E

RECUPERO NORMALE



AUTO-PULIZIA/AUTO-EVACUAZIONE



Nota: Per cambiare dalla funzione **Recovery**(Recupero) a **Purge**(Pulizia):
Chiudere la valvola di entrata, **spegnere l'unità**, posizionare l'interruttore in
posizione **Purge** e riavviare l'unità.

FUNZIONAMENTO DEL RG5410A-E

PROCEDURA PER RECUPERO DA UN SISTEMA NORMALE

1. Osservare attentamente l'RG5410A-E per assicurarsi che sia in buone condizioni di funzionamento.
2. Verificare che tutti i collegamenti siano corretti e a prova di tenuta.
3. Verificare che la valvola Recovery/Purge sia posizionata su Recovery.
Attenzione: Aprire le valvole lentamente per verificare che non ci siano delle fughe.
4. Aprire le valvole liquido e vapore del sistema sul quale si lavora.
5. Aprire la valvola liquido sul gruppo manometrico
6. Aprire la valvola di entrata dell'RG5410A-E fino alla posizione "liquido".
7. Aprire la valvola di uscita dell'RG5410A-E.
8. Aprire la valvola liquido del cilindro di recupero.
9. Collegare l'RG5410A-E all'alimentazione elettrica appropriata.
 - a) Portare l'interruttore principale (**Power**) in posizione ON. La ventola viene azionata.
 - b) Premere sull'interruttore (**Start**) per accendere il compressore (a volte questo interruttore deve essere premuto più di una volta per far avviare il compressore).
10. Dopo aver verificato che tutto funziona correttamente, si può lentamente finire di aprire la valvola di entrata dell'RG5410A-E finché sia completamente aperta o finché si senta un battito percepibile dal compressore, causato dal fatto che è stato pompato troppo liquido.

Nota: se il compressore inizia a "detonare", chiudere lentamente la valvola di entrata finché il battito non smetta.
11. Far funzionare l'unità finché il vuoto minimo richiesto dall'Agenzia per la Tutela dell' Ambiente sia raggiunto.
12. Dopo l'evacuazione, pulire l'RG5410A-E (vedi procedura per auto-pulizia).
Attenzione: Quando si pompa del liquido, non lasciare che l'RG5410A-E funzioni con la valvola di entrata troppo aperta, perché ciò fa "detonare" il compressore e può provocare l'arresto del motore del compressore.

Attenzione: Quando si pompa del liquido, non lasciare che l'RG5410A-E funzioni con la valvola di entrata troppo aperta, perché ciò fa "detonare" il compressore e può provocare l'arresto del motore del compressore.

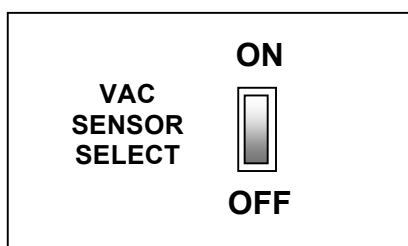
FUNZIONAMENTO DEL RG5410A-E

PROCEDURA PER LA PULIZIA DELLE RIMANENZE DI REFRIGERANTE DALL'RG5410A-E

1. Chiudere le valvole del sistema da pulire che sono collegate alla valvola di entrata dell'RG5410A-E.
2. Chiudere la valvola di entrata dell'RG5410A-E.
3. Spegnerne l'RG5410A-E.
4. Posizionare la valvola Recover/Purge in posizione Purge.
5. Riaccendere l'RG5410A-E.
6. Lasciare in moto finché non viene raggiunto il vuoto desiderato.
7. Chiudere le valvole sul contenitore di recupero e sull'RG5410A-E.
8. Spegnerne l'RG5410A-E.
9. Spostare la valvola Recover/Purge in posizione Recover.
10. Scollegare e mettere a posto i tubi flessibili.
11. Reinscrivere il filtro sull'RG5410A-E dopo ogni operazione lunga o ogni volta che si incontra contaminanti in quantità eccessiva.

Utilizzo Interruttore Bassa Pressione

RG5410A-E è dotato di un Interruttore di Bassa Pressione che si può selezionare ON/OFF (VAC SENSOR SELECT). Se l'Interruttore di Bassa Pressione è in posizione ON l'unità si arresta automaticamente ad una pressione assoluta di 0,45 bar. Se l'Interruttore di Bassa Pressione è in posizione OFF l'unità continua a recuperare finché raggiunge il valore di vuoto.



ULTERIORI INFORMAZIONI SULL'RG5410A-E

Per raggiungere il vuoto finale migliore, utilizzare il metodo di raffreddamento del contenitore per abbassare la pressione principale sul contenitore di recupero. Ripetere l'operazione sul contenitore di recupero per raggiungere il livello di vuoto desiderato.

NOTA : Se non c'è liquido nel contenitore di recupero, il metodo di raffreddamento non funzionerà. In questo caso, utilizzare un contenitore vuoto che è stato completamente evacuato per raggiungere il livello di vuoto richiesto.

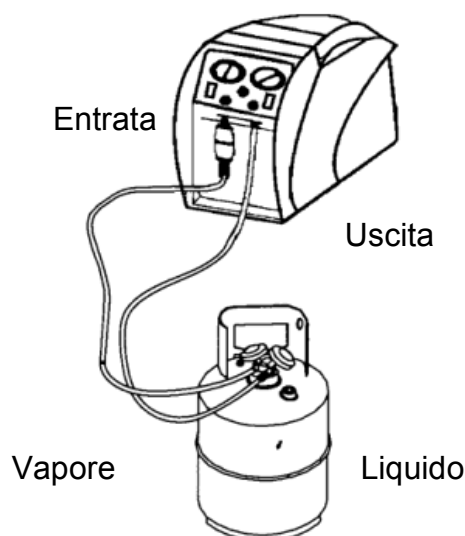
Per aumentare la velocità di recupero, utilizzare tubi da 3/8" più corti possibili o tubi più grandi. Togliere sempre i meccanismi interni dei tubi e le valvole Schrader non necessarie dagli attacchi delle valvole (utilizzando lo strumento per meccanismi interni adatto) per aumentare la produttività. Guarnizioni di tenuta deformate, meccanismi interni e valvole Schrader difettose o superflue possono diminuire il flusso fino al 90%.

Se la pressione del contenitore supera 31,5 bar, utilizzare la procedura di raffreddamento del contenitore per abbassare la pressione. Quando devono essere recuperate grandi quantità di liquido, utilizzare il metodo di recupero "PUSH-PULL" (vedi diagramma sotto).

ATTENZIONE

Quando si usa il metodo "PUSH-PULL", deve essere usata una bilancia per evitare di riempire eccessivamente il contenitore di immagazzinamento. Una volta iniziato il ciclo "PUSH-PULL", questo può continuare a riempire eccessivamente il contenitore di immagazzinamento anche se esso è equipaggiato di un sensore di livello galleggiante. Il ciclo può continuare anche quando l'unità è spenta. Bisogna chiudere manualmente le valvole sul contenitore e sull'unità per evitare un eccessivo riempimento del contenitore di recupero.

PROCEDURA DI PRERAFFREDDAMENTO O SOTTORAFFREDDAMENTO DEL CONTENITORE



Per iniziare occorrono almeno 2,5 kg di refrigerante liquido nel contenitore.

Regolare la valvola di uscita di modo che la pressione di uscita sia di 7 bar più grande che la pressione di ingresso, ma mai di più di 31,5 bar.

Lasciare funzionare finché il contenitore sia freddo.

SCHEMA DI PREPARAZIONE PER IL RECUPERO DI REFRIGERANTE

QUESTO METODO È IL PIÙ RAPIDO PER RECUPERARE REFRIGERANTE VAPORE

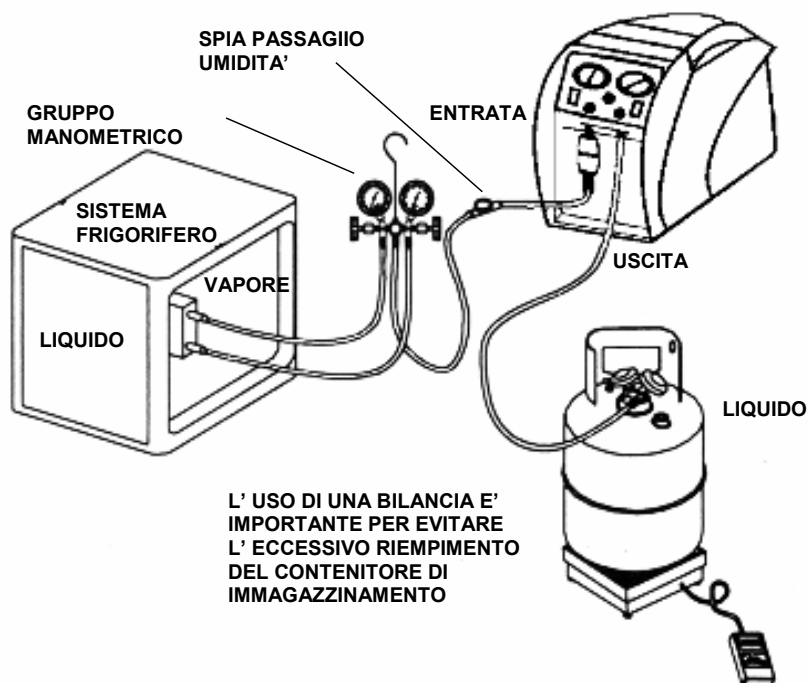
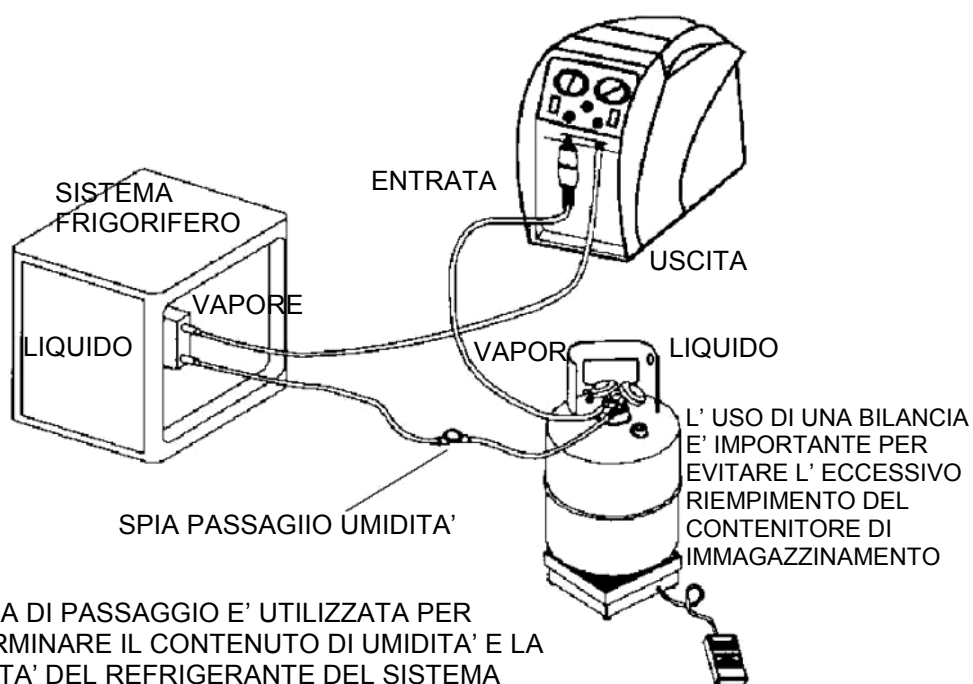
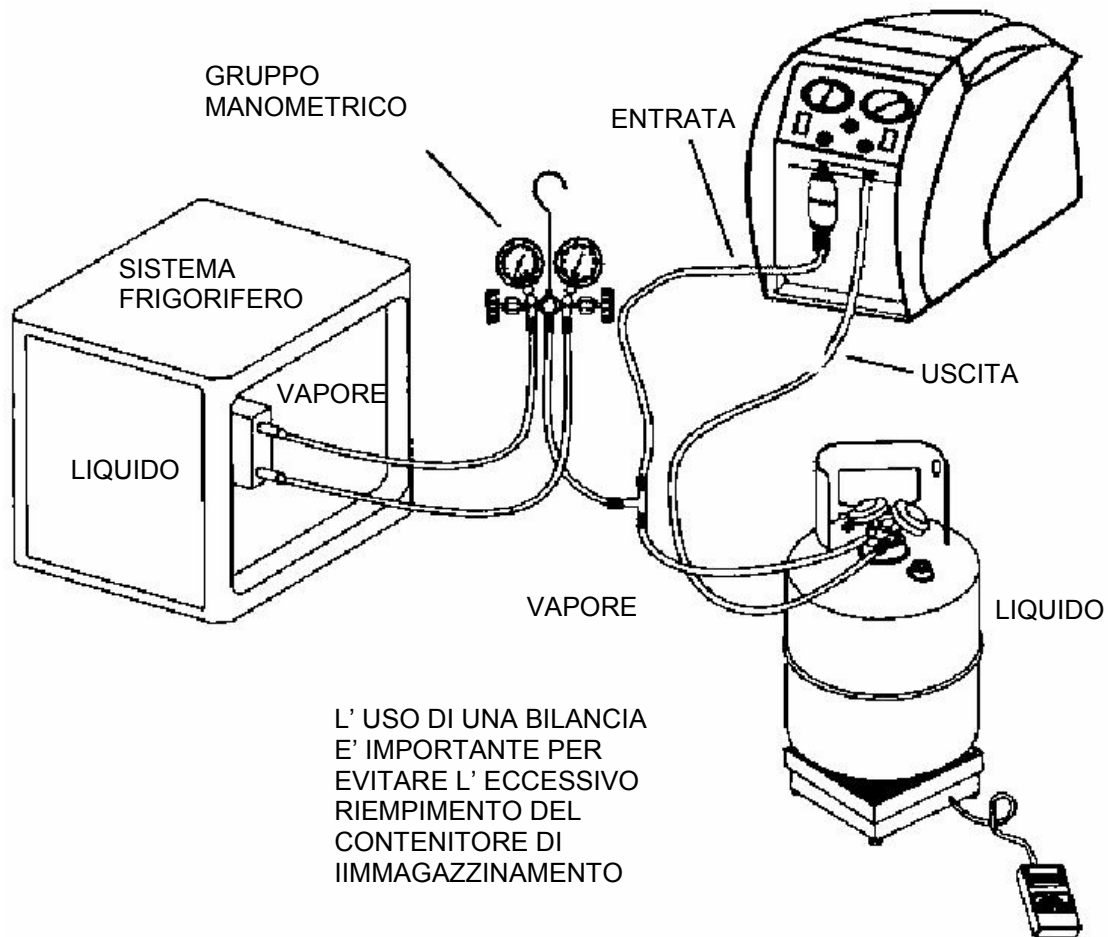


DIAGRAMMA DI PREPARAZIONE PER IL METODO "PUSH-PULL"

NON UTILIZZARE IL METODO "PUSH-PULL" CON DIE SISTEMI CHE CONTENGONO MENO DI 7 kg.



RECUPERO OPZIONALE PRERAFFREDDAMENTO O SOTTORAFFREDDAMENTO DEL CONTENITORE



RECUPERO NORMALE:

La valvola vapore del contenitore è chiusa.

PRERAFFREDDAMENTO O SOTTORAFFREDDAMENTO DEL CONTENITORE:

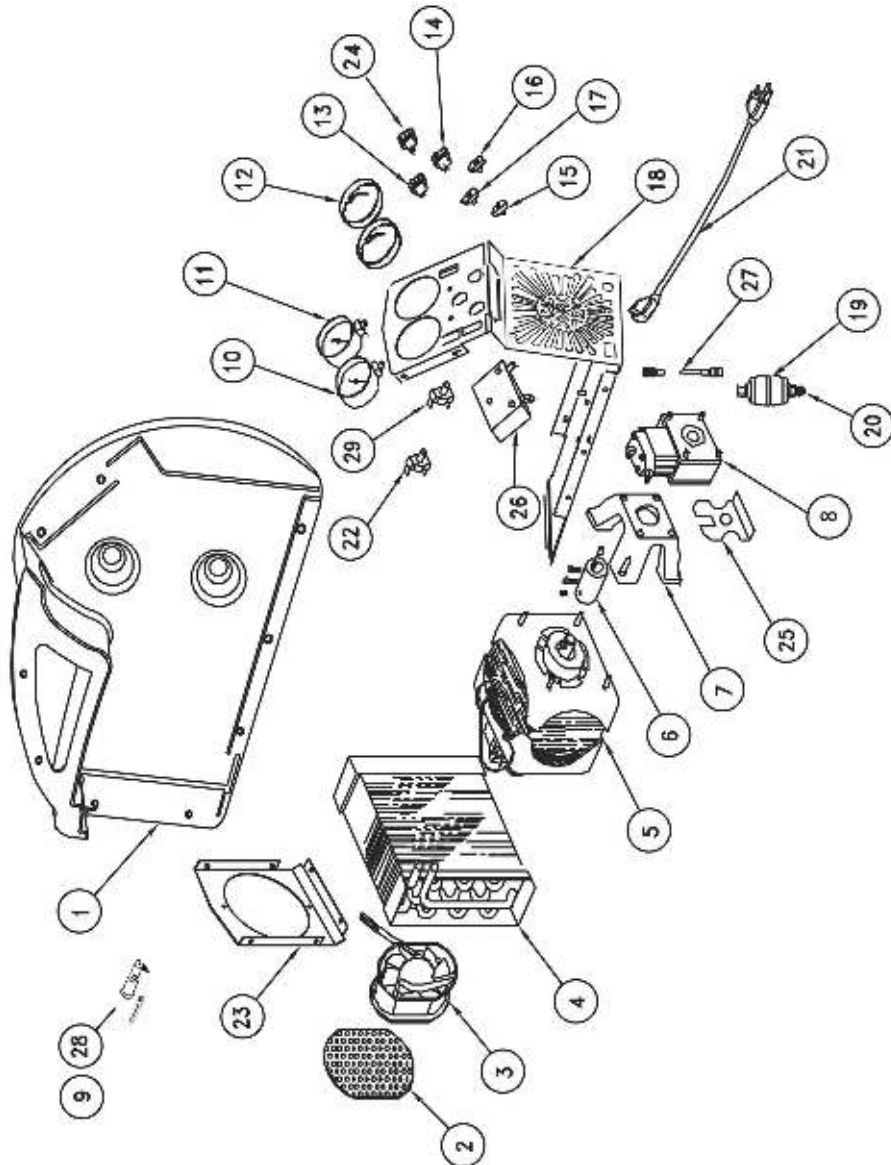
La valvola vapore del contenitore è aperta e le due valvole del gruppo manometrico sono chiuse. Seguire la procedura sopra indicata.

SCARICO DEGLI INCONDENSABILI DA UN REFRIGERANTE IDENTIFICATO IN UN CONTENITORE

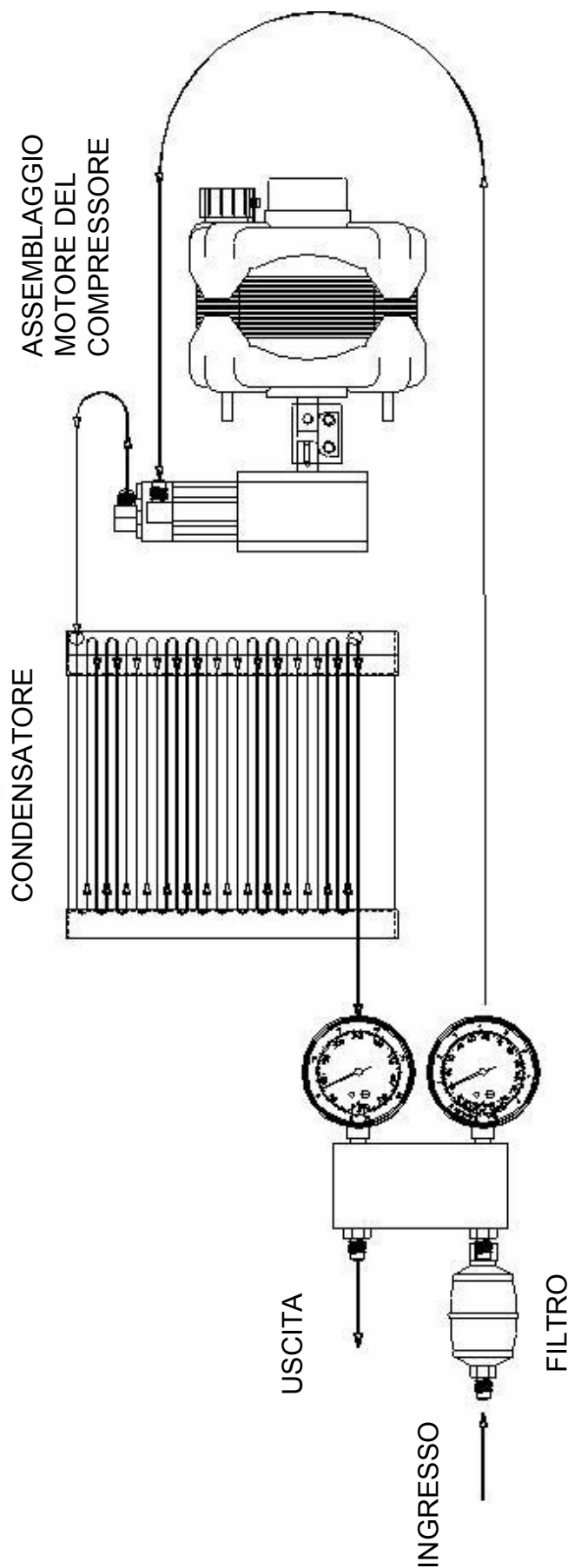
- 1) Lasciare il contenitore immobile per 24 ore (questo permette all'aria di salire in alto).
- 2) Collegare un gruppo manometrico al contenitore e leggere la quantità di pressione che c'è nel contenitore .
- 3) Stabilire esattamente la temperatura ambiente del posto.
- 4) Riferirsi ad una tabella di pressione/temperatura di refrigerante.
Trovare la temperatura sulla tabella e guardare la pressione corrispondente al tipo di refrigerante nel contenitore.
Stabilire quanto ciò corrisponde al valore sul manometro.
- 5) Se il valore di pressione è più alto della pressione indicata sulla tabella, aprire **molto lentamente** (per non causare turbolenze all'interno del contenitore) la valvola vapore.
Osservare la pressione diminuire sul manometro. Per evitare fughe, aggiungere 0,3-0,35 bar alla pressione indicata sulla tabella. Quando il manometro corrisponde a questa pressione, chiudere la valvola vapore.
- 6) Lasciare il contenitore immobile per 10 minuti e verificare di nuovo la pressione.
- 7) Ripetere la procedura se necessario.

LISTA DEI COMPONENTI

Art.	Descrizione	Parte #
1	Custodia di plastica	100134 L&R
2	Griglia della ventola	100505
3	Ventola assiale	EL1818
4	Condensatore	CD1201
5	Motore	EL1822
6	Accoppiatore	CP1315
7	Incastellatura campana	CP1001
8	Compressore	CP1320
9	Fusibile 5x20mm	100406
10	Manometro di entrata	GA1500
11	Manometro di uscita	GA0800
12	Vetro del manometro	GA1000
13	Interruttore ON/OFF	EL1310
14	Interruttore(Start) avviamento	EL1309
15	Valvola entrata	100123
16	Valvola uscita	100124
17	Valvola funzione	100122
18	Pannello frontale	110-200395-001
19	Filtro	100343
20	Cappuccio	NB6501
21	Cavo di alimentazione	135-200341-001
22	Pressostato	EL2802
23	Pannello posteriore	100318
24	Interuttore	105-200396-001
25	Mensola compressore	100207
26	Collettore	700009
27	Tubo flessibile 4"	100345
28	Supporto del fusibile	100419
29	Sensore VAC	113726



SCHEMA FLUSSO REFRIGERANTE



ATTENZIONE:

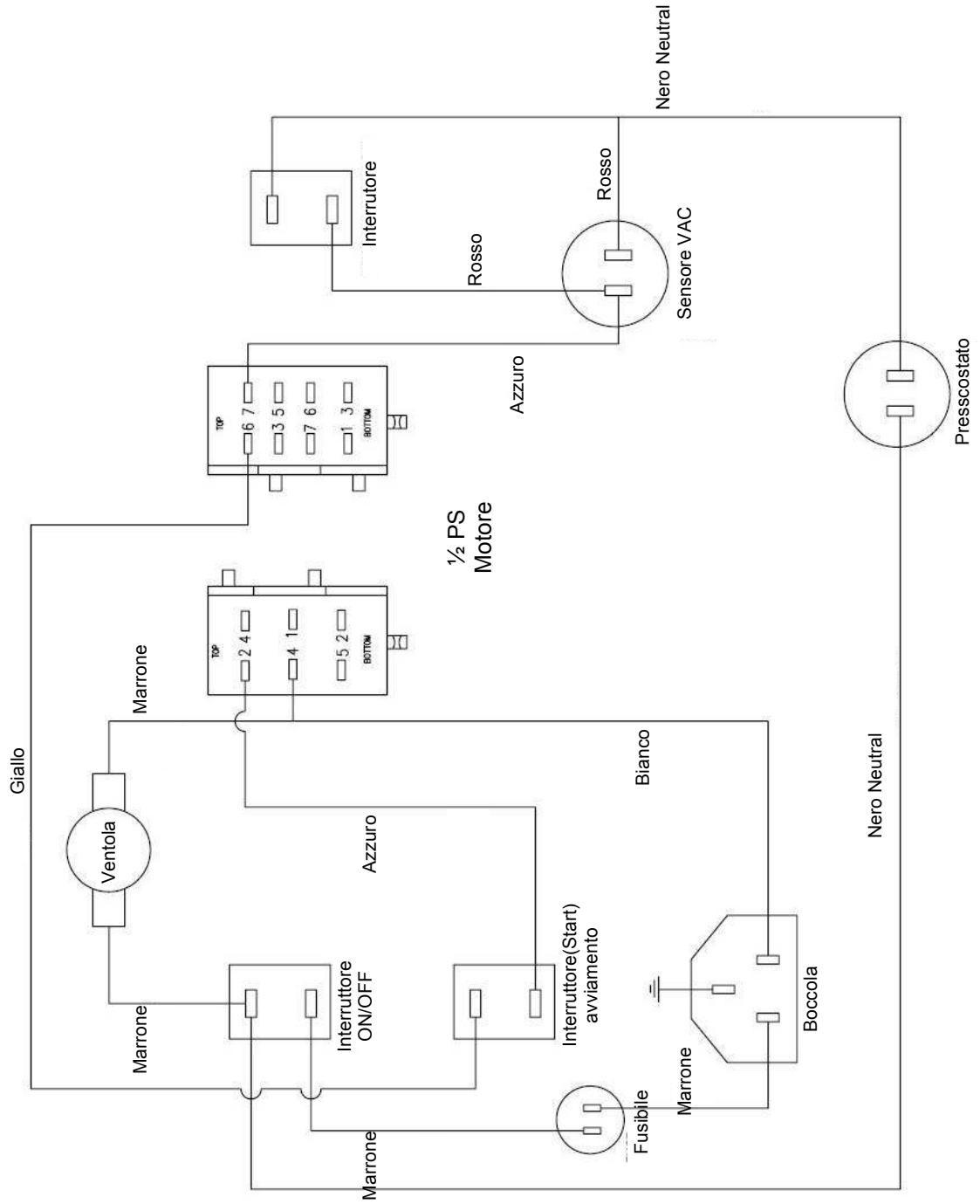
Deve essere sempre utilizzato un filtro. In caso contrario, la garanzia sarà annullata.

L'uso del filtro riduce molto il rischio di danni all'RG5410A-E in quanto impedisce a corpi estranei di entrare nell'unità.

Dobbiamo considerare l'utilizzo di due filtri deidratatori in serie quando si recupera del refrigerante da un sistema il cui compressore risulta bruciato.

Una volta conclusa l'operazione i filtri devono essere nuovamente sostituiti.

SCHEMA ELETTRICO



PRESSOSTATO DI SICUREZZA (CON FUNZIONE DI RIPRISTINO MANUALE)

L'RG5410A-E è equipaggiato di un pressostato di sicurezza interno. Se la pressione all'interno del sistema è più alta di 38,5 bar, il sistema si spegne automaticamente. Se il pressostato di sicurezza si attiva automaticamente mentre si riempie una bombola, ciò potrebbe essere causato dal fatto che la bombola è troppo piena. **QUESTA È UNA SITUAZIONE MOLTO PERICOLOSA!!!** In questo caso, prendere immediatamente delle misure per ridurre la sovrappressione e/o eliminare il riempimento eccessivo della bombola.

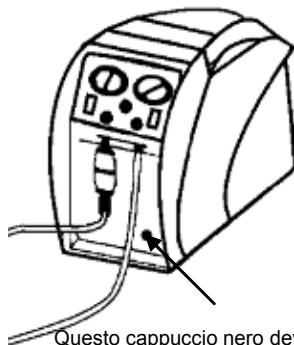
Se il pressostato di sicurezza spegne l'unità...

Prendere le precauzioni seguenti se il pressostato di sicurezza si attiva:

- a) Sospetto che la bombola di recupero è troppo piena:
Collegare la bombola di recupero ad una altra bombola con capacità disponibile di modo che la pressione venga ridotta ad un livello sicuro. Quest'operazione dovrebbe anche ridurre la pressione nella linea di uscita dall'RG5410A-E. Procedere normalmente dopo aver ripristinato il pressostato di sicurezza in posizione originale (vedi sotto).
- b) Causa dell'attivazione del pressostato di sicurezza sconosciuta:
 - 1) Verificare che la bombola di recupero non sia eccessivamente riempita.
 - 2) Chiudere le valvole del sistema, quelle della bombola di recupero e dell'RG5410A-E.
 - 3) Scollegare l'RG5410A-E dalle tubazioni flessibili.
 - 4) Scollegare l'RG5410A-E dall'alimentazione elettrica.
 - 5) Aprire molto lentamente le valvole di entrata e di uscita.
 - 6) Scoprire il motivo del cattivo funzionamento.

Una volta attivato, il pressostato di sicurezza deve essere rimesso in posizione originale manualmente come segue:

Togliere il cappuccio di protezione nero sotto il quale si trova il bottone di ripristino (vedi sotto). Ripristinare premendo il bottone con uno strumento come un cacciavite. Rimettere il cappuccio.



Questo cappuccio nero deve essere tolto per poter ripristinare il pressostato di sicurezza.

MANUTENZIONE E CURA

Deve essere sempre utilizzato un filtro. **In caso contrario, la garanzia sarà annullata.**

L'uso del filtro riduce molto il rischio di danni all'**RG5410A-E** in quanto impedisce a corpi estranei di entrare nell'unità.

Dobbiamo considerare l'utilizzo di due filtri deidratori in serie quando si recupera del refrigerante da un sistema il cui compressore risulta bruciato.

Si raccomanda anche di utilizzare un nuovo filtro per ogni operazione di manutenzione. Ogni filtro deve essere contrassegnato e utilizzato esclusivamente per un tipo di refrigerante soltanto.

Non usare questa unità vicino a contenitori di benzina o altri liquidi combustibili rovesciati o aperti.

Evitare l'uso di prolunghe. Se si deve usare una prolunga, essa non deve essere più lunga di 7,5m. Non utilizzando prolunghe si riduce il rischio di incendio.

Pulire sempre l'unità scaricando il refrigerante rimasto dopo aver effettuato un'operazione di manutenzione.

Il refrigerante rimasto nella macchina può espandersi e danneggiare componenti.

Se l'unità non viene utilizzata per un lungo periodo di tempo, si raccomanda di evacuarla completamente da ogni residuo di refrigerante e pulirla con azoto secco.

Ogni volta che si effettua qualsiasi tipo di lavoro di manutenzione sull'**RG5410A-E**, verificare che sia sconnesso dall'alimentazione elettrica prima di iniziare.

DATI TECNICI DELL'RG5410A-E

Applicazione	Recuperare refrigerante vapore o liquido
Adatto per refrigeranti	R12, R22, R134A, R401A, R401B, R401C, R402A, R402B, R404A, R406A, R407A, R407B, R407C, R407D, R408A, R409A, R410A, R411A, R411B, R412A, R500, R502, R507, R509
Alimentazione elettrica	230V / 50 Hz
Potenza	380 W
Dimensioni	330 x 229 x 483 mm
Peso	14,5 kg
Numero giri al minuto	1437
Pressione massima	38,5 bar
Fusibile	5x20, indolente, 8A 250V
Dispositivo di sicurezza	Interruttore a pressione di sicurezza tipo P100 DA con azzeramento manuale (550 p.s.i. / 38,5 bar)

ATTENZIONE

L'RG5410A-E non deve essere usato con gas infiammabili o con gas contenenti ammoniaca

TABELLA DIAGNOSTICA

SICUREZZA PRIMA DI TUTTO

LEGGERE E CAPIRE TUTTE LE INFORMAZIONI SULLA SICUREZZA CONTENUTE IN QUESTO MANUALE PRIMA DI UTILIZZARE L'UNITÀ

ATTENZIONE

MAI INVALIDARE PIÙ DI UNA FUNZIONE DI SICUREZZA ALLA VOLTA PER LOCALIZZARE E RIPARARE I GUASTI DELL'RG5410A-E.

DISFUNZIONE ACCERTATA	INTERVENTI SUGGERITI	PROBABILE CAUSA
DISFUNZIONE ACCERTATA	PROBABILE CAUSA	INTERVENTI SUGGERITI
A- Con l'interruttore generale in posizione "ON" la ventola non parte	A1- Unità scollegata elettricamente	A1- Collegare elettricamente l'unità
B- Con l'interruttore generale in posizione "ON", premendo il tasto START il compressore non parte	B1- Pressostato di massima inserito	B1- Aprire l'unità e riarmare il pressostato di massima
	B2- Pressostato di massima starato	B2- Aprire l'unità e ritardare o sostituire il pressostato di massima
	B3- Compressore guasto	B3- Sostituire il compressore
C- Pressostato di massima inserito	C1- Valvola di uscita alta pressione chiusa	C1- Aprire la valvola di uscita alta pressione
	C2- Ricevitore di liquido pieno	C2- Sostituire o svuotare il ricevitore di liquido
D- Con l'interruttore generale in posizione "ON" e il tasto START premuto, il compressore si avvia ma non recupera	D1- Valvola di entrata bassa pressione chiusa	D1- Aprire la valvola di entrata bassa pressione

ATTENZIONE

NEL CASO IN CUI IL CAVO DI ALIMENTAZIONE SIA DANNEGGIATO O SEPARATO DALLA MACCHINA, ESSO DEVE ESSERE RISPEDITO AD UN RIVENDITORE AUTORIZZATO O AL COSTRUTTORE PER ESSERE SOSTITUITO.

INFORMAZIONI IMPORTANTI PER IL RECUPERO DI REFRIGERANTE

Nell'ambito del recupero di refrigeranti in pochi anni sono stati fatti notevoli passi avanti. In apparenza si tratta semplicemente del procedimento di estrazione del refrigerante da un sistema, per poi metterlo in un serbatoio. Tuttavia, se si trascurano alcune cose, questo semplice processo può diventare rapidamente problematico. Qui di seguito troverete alcuni spunti e suggerimenti cui siamo giunti negli ultimi anni e che vi consentiranno di risparmiare tempo e semplificare il processo.

Innanzitutto è necessario identificare il tipo e la quantità di refrigerante nel sistema che state revisionando.

Se stabilite che è un combusto, è necessario un serbatoio particolare (un serbatoio che viene identificato come contenente gas combusto o altri gas non identificati) e dovete utilizzare filtrazione supplementare prima del recupero.

Se invece sapete che il gas nel sistema è relativamente pulito o nuovo, allora è necessario utilizzare un serbatoio nuovo. Se avete in programma di reimmettere il refrigerante nello stesso sistema al termine della manutenzione o se il refrigerante dovrà essere recuperato, utilizzate un serbatoio che contenga il medesimo refrigerante al suo interno. E non dimenticate gli aspetti relativi all'Environmental Protection Agency (EPA): se utilizzate una serie di gas refrigerante, ma possedete un solo serbatoio, potreste avere problemi. Sarebbe opportuno disporre di almeno un serbatoio per ogni tipo di refrigerante di cui si esegue la manutenzione, più uno supplementare per combusto e altre sostanze sconosciute.

Programmare in anticipo

Conoscendo la quantità di refrigerante, è importante pianificare i requisiti di stoccaggio e il recupero effettivo. Per esempio, qualsiasi sistema con oltre 2,5 kg di refrigerante presenta delle arce in cui il liquido potrebbe rimanere intrappolato.

Il segreto per una procedura di recupero rapida consiste nell'estrarre prima il liquido e poi prelevare il vapore residuo. Tuttavia la maggior parte dei sistemi non è appropriata per il recupero. In altre parole, tali sistemi non dispongono di porte di accesso all'altezza dei loro punti più bassi. Se qualche unità sui cui state eseguendo la manutenzione è vincolata da contratti di manutenzione, risparmiate molto tempo installando porte di accesso in tutti i punti più bassi del sistema in cui è probabile che il liquido si accumuli. Poiché la maggior parte dei sistemi non dispone di queste porte, è necessario poter far evaporare il liquido intrappolato con un'apposita pistola termica, dovunque questo si trovi. La superficie ghiacciata e la condensa che si formano sull'impianto idraulico o sui componenti in cui il liquido è intrappolato, segnalano appunto la presenza di liquido intrappolato nel sistema. Il liquido intrappolato può anche nascondersi in una zona non visibile. In ogni caso, del liquido che rimane intrappolato in un sistema durante il recupero rallenta il processo di recupero stesso, indipendentemente dalle dimensioni o dal tipo di macchina.

Qualora non siate in grado di localizzare il liquido intrappolato (anche se sapete che c'è perché l'interno di recupero "sembra non finire mai"), accendete il compressore del sistema (se funzionante) per qualche secondo. Questo farà in modo che il refrigerante si sposti verso un'altra parte del sistema e (**manca**).

TUBI E VALVOLE

Tubi flessibili e valvole di Schraeder hanno un forte impatto sulla velocità di recupero. In generale quanto più largo è il tubo, tanto minore è l'attrito sul flusso di refrigerante, tanto più rapido è il recupero. Molti appaltatori utilizzano ora linee 3/8" per l'ingresso nella macchina di recupero, anche se queste linee hanno origine da guarnizioni da 1/4".

Le valvole Schraeder devono essere rimosse dal collegamento prima di un opportuno recupero. La maggior parte dei grossisti vende un utensile per rimuovere queste valvole, mantenendo sigillata la connessione. Dovrà essere rimossa anche la parte interna, all'estremità del tubo. Questi due elementi possono trasformare un lavoro da venti minuti in un lavoro di ore. Pertanto assicuratevi di rimuovere le valvole Schraeder e le relative parti interne prima di ogni intervento di recupero. Un'altra caratteristica del tubo è la piccola guarnizione in gomma all'estremità del tubo flessibile che sigilla il raccordo svasato. Abbiamo visto sigilli talmente rovinati e deformati che quando il tubo viene connesso al raccordo svasato, la guarnizione chiude virtualmente a tenuta la connessione. Questo non viene probabilmente mai notato durante l'alimentazione, perché la pressione apre la guarnizione, ma durante il recupero (o con aspirazione) la guarnizione deformata restringe profondamente il flusso di refrigerante.

Riciclaggio di refrigerante

L'attuale normativa stabilisce che il refrigerante usato non debba essere né venduto, né utilizzato in attrezzatura che non sia quella del proprietario, a meno che il refrigerante non sia stato analizzato in laboratorio e riscontrato conforme ai requisiti secondo ARI 700 (edizione più recente). Ne consegue che nella maggior parte dei casi il riciclaggio e la verifica di conformità con ARI 700 non sono economicamente convenienti. È comunque meglio cercare di pulire quanto più refrigerante possibile da reimmettere nello stesso sistema (o sistema del proprietario). Raccomandiamo di utilizzare il filtro più largo, dalla maggior capacità di filtrazione di acido, che si possa permettere dal punto di vista economico. Mettete questi filtri sul lato di aspirazione o d'ingresso dell'unità di recupero. Cambiate spesso i filtri.

Quando si recuperano grandi quantità di liquido refrigerante spesso sono presenti anche grandi quantità di olio, se il sistema utilizzato non dispone di un separatore di olio appropriato. Se questo refrigerante recuperato non è destinato ad essere liquido da reimmettere nel medesimo sistema, potreste desiderare di separare il refrigerante dall'olio al fine di misurare l'olio (per sapere quanto olio cambiare nel sistema). Tuttavia se il refrigerante verrà recuperato e reimpresso, non è necessario rimuovere l'olio. Uno dei modi più semplici e più economici per fare questo consiste nell'utilizzare serbatoi da 15 o 25 kg in linea con la vostra macchina di recupero. Collegate il sistema alla porta di liquido del serbatoio, quindi, dalla porta di vapore del serbatoio collegate all'ingresso della vostra macchina di recupero un secondo serbatoio. Se troverete grandi quantità di liquido dovrete collocare un riscaldatore a banda attorno al primo serbatoio.

Al termine del recupero, è possibile rimuovere l'olio dal primo serbatoio applicando poca pressione, utilizzando azoto, ad una delle porte e spremendo l'olio dall'altra. Se vorrete rimuovere l'olio dalla porta del vapore dovrete capovolgere il serbatoio. Indossate sempre occhiali di sicurezza quando eseguite questa operazione, poiché l'olio può essere acidogeno e potrebbe causare gravi ustioni.

NON CONSENTIRE ALLA SPORCIZIA DI PENETRARE

Durante il processo di recupero, la vostra macchina di recupero può essere esposta a detriti che possono potenzialmente danneggiarla, inclusi spruzzi di brasature e strisce di rame ed ottone. Ulteriore contaminazione può essere introdotta dai serbatoi di accumulo di refrigerante. Per prolungare la durata della vostra macchina di recupero utilizzate un filtro in linea. Ogni volta che caricate un sistema da un cilindro di recupero, è opportuno utilizzare un filtro in linea per proteggere il sistema dalla contaminazione. Cambiate spesso i vostri filtri in linea.

Estrazione del liquido (cfr. "Metodo push-pull)

Il metodo push-pull è un metodo per rimuovere il liquido da un sistema utilizzando la pressione differenziale creata dalla macchina di recupero. Il metodo push-pull non funzionerà generalmente su sistemi piccoli, perché non c'è nessun serbatoio di liquido da cui creare un sifone. Il push-pull viene per lo più utilizzato in sistemi con un serbatoio ricevitore o con più di 10 kg di refrigerante oppure quando il liquido viene trasferito da un serbatoio ad un altro. La velocità del trasferimento del liquido dipende molto dalle dimensioni dei tubi, ove tubi più larghi forniscono una prestazione superiore.

Un altro trucco consiste nel raffreddare il serbatoio quando parzialmente riempito, prima o durante il recupero. Questa operazione abbasserà la pressione nel serbatoio di stoccaggio e pertanto accelererà il recupero. Il serbatoio che si vuole raffreddare deve contenere un minimo di 2,5 kg di liquido refrigerante. Questa operazione può essere eseguita prima o durante il recupero. Cfr. i diagrammi di impostazione e le procedure a pagina 8 di questo manuale.

Non vi è niente di strano, state semplicemente utilizzando la vostra macchina di recupero per creare un frigorifero dove il serbatoio è l'evaporatore. Strozzando la valvola di uscita, creerete di fatto un tubo capillare o un dispositivo di espansione, ma dovrete regolare nuovamente la pressione per adattarla alle condizioni e al refrigerante. Cinque - dieci minuti di raffreddamento possono produrre un raffreddamento di serbatoio molto consistente, in base alle condizioni. Se vi fossero ancora sostanze non condensabili nel serbatoio, questo processo non funzionerà. Inoltre quanto maggiore è la quantità di refrigerante nel serbatoio, tanto più a lungo durerà il processo.

PROMAX



Manual de Instrucciones RG5410A-E

TABLA DE CONTENIDOS

I. Precauciones de seguridad	
A. ¡La manera segura es la única manera!	3
B. La recuperación de gases refrigerantes y su almacenaje	4
II. Información general importante	5
III. Los procedimientos operacionales	
A. Manejo de su RG5410A-E	6
B. Operando con su RG5410A-E	7
C. Uso del presostato de baja presión	8
D. Información adicional para recuperar gases	8
E. Diagramas de Procedimientos	9-10
F. Purgar Gases No Condensables con la RG5410A-E	11
IV. Los diagramas	
A. Lista de Piezas	12
B. Diagrama de Flujo del Refrigerante	13
C. Diagrama de Cableado Eléctrico	14
V. Presostato de Seguridad	15
VI. El Cuidado y Mantenimiento de su RG5410A-E	16
VII. Especificaciones Técnicas RG5410A-E	17
II. Recomendaciones útiles para la Recuperación de Refrigerantes	18-20
IX. Arreglando	21

El diseño de las especificaciones y del material están sujetos al cambio sin previo aviso.

Este manual no puede reproducirse de ninguna forma sin el consentimiento escrito expreso de Advanced Test Products.

¡LA MANERA SEGURA ES LA ÚNICA MANERA!

¡NOTA! Si usted no es que un técnico frigorista cualificado, no use este equipo

1. El técnico siempre debe llevar gafas de protección en los ojos y guantes al trabajar en los sistemas de refrigeración.
2. Esté seguro que cualquier cuarto dónde usted está trabajando se ventila completamente, sobre todo si sospecha que existe una fuga. El vapor de Refrigerante es peligroso para su salud, puede causar la muerte.
3. Siempre piense antes de actuar. La familiaridad engendra el descuido y descuido pueden ser dañosos a su salud o, más peor, produzca la muerte.
4. Lea las Hojas de Datos de Seguridad Materiales (MSDS) de todos los compuestos con que es probable que usted entre en el contacto. Lea MSDS del refrigerante y del aceite del sistema . Obtenga las hojas de MSDS de su proveedor de refrigerante.
5. Nunca use oxígeno al probar para las fugas. Cualquier aceite al contacto con oxígeno bajo la presión formará una mezcla explosiva.
6. Generalmente los sistemas de Refrigeración se manejan y se controlan eléctricamente. Asegúrese de desconectar la unidad de la fuente de alimentación antes de repararlo.
7. Almacene siempre los recipientes de refrigerante en un lugar fresco y seco.
8. Abra siempre las válvulas de servicio y del cilindro despacio. Esto permite manejar rápidamente el flujo de gases si hay cualquier peligro. Una vez es observado que no hay peligro, las válvulas pueden abrirse totalmente.
9. No mezcle el refrigerante en un sistema, un tanque o en cualquier otra parte. Cada tipo de refrigerante debe tener su propio tanque, los filtros, etc.,
10. Si la humedad entra en el sistema de refrigeración, es probable que cause un daño considerable. Mantenga todas las conexiones con el sistema de refrigeración completamente seco y limpio.
11. Para reducir el riesgo de fuego, evita el uso de alargadores que puedan calentarse. Si usted debe usar un alargador que debe tener una sección mínima por hilo de 1,5 mm² y no más largo que 5 m. Este equipos deben usarse en las situaciones con ventilación mecánica que proporcione 4 renovaciones de aire por hora como mínimo, y los equipos deben localizarse 45cm por lo menos sobre el suelo. No use este equipo cerca de recipientes de gasolina o cualquier otro líquido inflamable.

LA RECUPERACIÓN DE GASES REFRIGERANTES Y SU ALMACENAJE

La seguridad es lo primero. Lea toda la información de seguridad para el manejo seguro de refrigerante incluso la Hoja de Datos de Seguridad Material proporcionada por su proveedor del refrigerante. Nunca opere la unidad en un ambiente explosivo. Lleve gafas de seguridad y guantes de la protección. El área de trabajo debe ventilarse bien. Esta unidad sólo debe operarse por un técnico calificado

*****PRECAUCIÓN: CONTENEDORES DE ALMACENAJE DE GASES*****
 Use solamente cilindro aprobados con un mínimo de **41 bar** de presión efectiva según las regulaciones actuales.

NOTA: Los Cilindros de Recuperación se diseñan para diferentes presiones. No exceda la presión efectiva de cada cilindro.

Los códigos de seguridad recomiendan que los tanques cerrados no se llenen por encima del 80% de volumen del líquido. El 20% restante se llama colchón de presión del tanque.

NUNCA TRANSPORTE UN CILINDRO SOBRELLENADO

Ya que el Refrigerante se expande cuando se calienta y puede reventar el tanque si se sobrellenó.

TEMP. DEL CILINDRO EMPEZANDO CON EL CILINDRO AL 80% DE SU VOLUMEN ESPACIO OCUPADO POR EL LÍQUIDO	16°C	21 °C	38 °C	54 °C	66°C
EMPEZANDO CON EL CILINDRO 90% DE SU VOLUMEN ESPACIO OCUPADO POR EL LÍQUIDO	80%	81%	83%	90%	94%
	90%	92%	96%	100%	

INFORMACIÓN GENERAL IMPORTANTE

Antes de operar la UNIDAD DE RECUPERACIÓN RG5410A-E , lea a lo siguiente:

1. Siempre que aisle cantidades grandes de refrigerante cierre las válvulas después del uso para que no se produzcan fugas de refrigerante.
2. Los cilindros o botellas de almacenamiento recién comprados a veces tienen válvulas que no cierran bien. Ponga tapones en estas válvulas para asegurar que no hay fugas de refrigerante.
3. Siempre maneje la unidad en una superficie nivelada y llana.
4. Su RG5410A-E tiene un presostato de alta por seguridad. Si la presión dentro del sistema es mayor de 38,5 bar (550 psi), el sistema se parará automáticamente.

PRECAUCIÓN

El presostato de seguridad de 38,5 bar (550 psi) no previene el sobrellenado del tanque. ¡Si su sistema se para por alta presión y le conecta al tanque de almacenaje, usted puede haber sobrellenado el tanque y puede haber creado una situación muy peligrosa! Tome las medidas inmediatas para bajar la presión alta y/o el tanque sobrellenado.

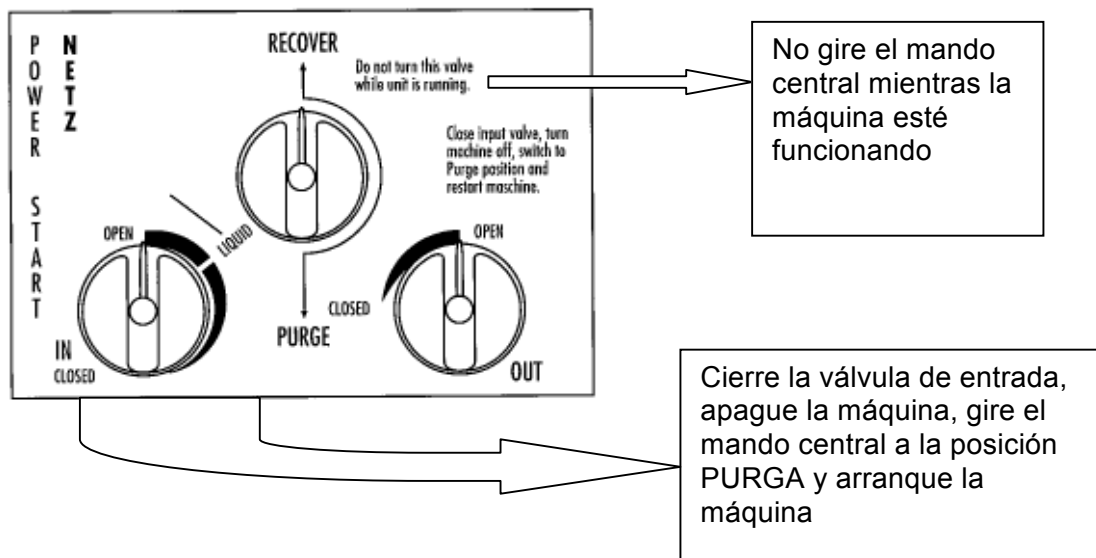
5. ¡ADVERTENCIA! Nunca sobrellene los tanques de almacenamiento. El sobrellenado puede causar que los tanques exploten.
6. Debe usarse una balanza para evitar sobrellenar el tanque de almacenamiento.
7. Sólo deben asignarse tanques y filtros para un gas refrigerante. Antes de usar un tanque usado para otro refrigerante previamente, vacíe el tanque completamente, evácuelo, purgue el tanque usando nitrógeno seco, y re-evácuelo.
8. Debe tenerse un cuidado especial al recuperar de un sistema quemado. Use dos filtros de alta capacidad ácida, montados en serie. Se recomienda usar filtros Alco tipo EK-162-F o Sporlan C -162-F.
9. Cuando usted ha terminado de recuperar el sistema, vacíe su RG5410A-E con una cantidad pequeña de aceite del refrigerante y una cantidad pequeña de gas refrigerante limpio para purgar cualquier sustancia extraña que pueda quedar en la unidad.
10. Siempre vacíe el gas refrigerante de la unidad en un tanque del almacenamiento; vea el capítulo Purga/ Procedimiento de Evacuación Automática. El gas Refrigerante líquido salido del condensador pueden expansionar causando daños a los componentes

MANEJO DE SU RG5410A-E

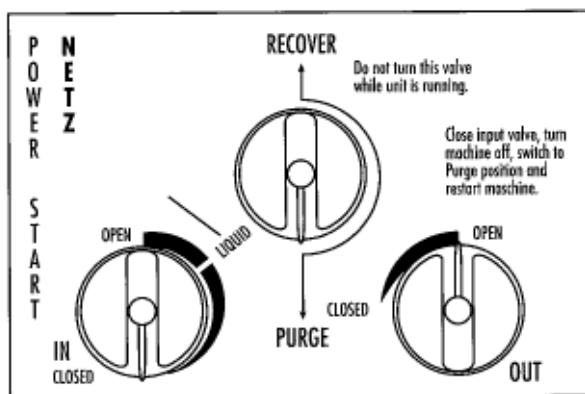
Conecte su RG5410A-E a una toma de corriente de 230V. Cambie el interruptor principal a la posición ON. Usted debe oír el funcionamiento del ventilador. Apriete el pulsador del compresor "START". Este pulsador arrancará el compresor. Puede ser necesario, bajo ciertas circunstancias, tener que pulsar más de una vez para arrancar el compresor.

PROCEDIMIENTOS OPERACIONALES

LA RECUPERACIÓN NORMAL



AUTOEVACUACIÓN / PURGA



NOTA: Para cambiar del modo de Recuperación al modo Purga: Cierre la válvula de Entrada situada a la izquierda, apague la unidad (para prevenir el corte por alta presión), cambie la posición del mando central a la posición Purga y reiniciar la unidad.

OPERANDO CON SU RG5410A-E

Procedimiento para la Recuperación de un Sistema Normal

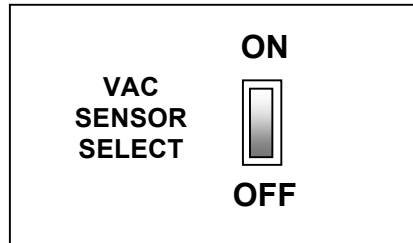
1. Inspeccione el RG5410A-E completamente para asegurar que están los mandos en la posición correcta.
2. Asegúrese que todas las conexiones son correctas y firmes.
3. Abra la válvula de líquido del cilindro de recuperación (siempre abra las válvulas despacio para verificar que mangueras y conexiones no presentan fugas).
4. Asegúrese que la válvula de mando centra Recover/Purge esta en la posición RECOVER.
5. Abra la válvula de salida del RG5410A-E (OUT), situada a la derecha, posición OPEN.
6. Sitúe la válvula de entrada, situada a la izquierda, en la posición intermedia en LIQUID; abriendo esta válvula de líquido quitará primero el líquido del sistema, reduciendo de esta manera el tiempo de la recuperación (después que el líquido ha sido evacuado, gire la válvula a la posición vapor OPEN para terminar de evacuar el sistema)
7. Conecte su RG5410A-E a una toma de corriente de 230V.
 - a. Cambie el interruptor principal a la posición ON. Usted debe oír el funcionamiento del ventilador.
 - b. Apriete el interruptor de START del compresor. Este "pulsador momentáneo " arrancará el compresor (puede ser necesario, bajo ciertas circunstancias, tener que apretar este interruptor más de una vez para arrancar el compresor).
8. Abra despacio la válvula de la entrada IN en el RG5410A-E.
 - a. Si el compresor empieza a golpear, cierre despacio la válvula de la entrada hasta que pare el golpeo.
 - b. Si la válvula de la entrada ha sido cerrada parcialmente para recuperar líquido, debe abrirse totalmente una vez que el líquido ha sido evacuado del sistema (la válvula de vapor ya puede abrirse completamente en este momento).
9. Haga funcionar la máquina que hasta que se logre un buen vacío en el manómetro de baja.
 - a. Cierre las válvulas del puente de manómetro externo.
 - b. Cierre la válvula IN de la recuperadora RG5410A-E .
 - c. Apague la unidad recuperadora y proceda con el procedimiento de Purga en la próxima página.
10. Siempre purge el RG5410A-E después de cada uso. El hecho de no purgar el refrigerante restante del RG5410A-E podría producir la degradación ácida de componentes interiores, causando el deterioro prematuro de la unidad.

PRECAUCIÓN

Al bombear el líquido, no permita al RG5410A-E operar demasiado tiempo con la válvula de la entrada abierta, mientras que el compresor presente golpes de líquido. Haciendo esto puede estropear el compresor.

El uso del interruptor de baja presión

La RG5410A-E LP está equipada con un interruptor de baja presión en el que se puede elegir entre ON y OFF (SENSOR DE VACIO / VAC SENSOR SELECT). Cuando está en la posición ON la unidad se apagará automáticamente al alcanzar la presión de 0.45 bares absolutos. Cuando está en la posición OFF la unidad continuará recuperando del sistema aunque se haya alcanzado el vacío.



Procedimiento para Purgar el Refrigerante restante del RG5410A-E

1. Cierre las válvulas del puente de manómetros del sistema que hemos evacuado y que están conectados a la entrada del RG5410A-E. 2. Cierre la válvula de entrada en el RG5410A-E.
2. Apague el RG5410A-E.
3. Gire válvula de Recover/Purge a la posición de la PURGA
4. Reinicie el RG5410A-E.
5. Mantenga en marcha la unidad hasta que se logre el vacío deseado.
6. Cierre las válvulas en el tanque de recuperación y el RG5410A-E.
7. Apague el RG5410A-E.
8. Gire la válvula de Recovery/Purge a la posición de RECOVERY
9. Desconecte y guarde todas las mangueras.
10. Reemplace el filtro de entrada de su RG5410A-E después de que haya sido contaminado en exceso.

INFORMACIÓN ADICIONAL PARA RECUPERAR GASES

Para lograr el vacío final más profundo, use el método de tanque enfriado para bajar la presión de la cabeza del tanque de recuperación.

Repita el proceso hasta lograr el nivel del vacío deseado.

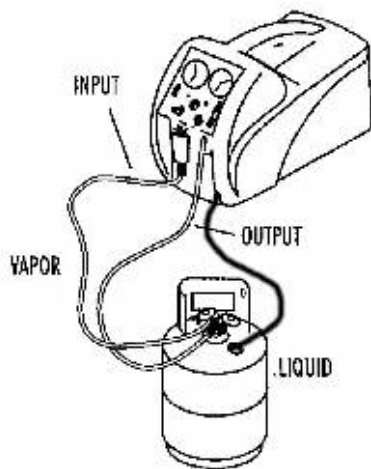
NOTA: Si no hay suficiente líquido en el tanque de recuperación, el método del "tanque enfriado" no trabajará. En este caso, use un tanque vacío que se ha evacuado para lograr el nivel del vacío final requerido.

Para aumentar al máximo la tasa de recuperación use la longitud de manguera más corta posible, o una manguera con diámetro más grande. Se recomienda no usar mangueras de más de 1,2 m. Quite siempre los depresores de centro de manguera innecesarios y válvulas de Schrader de las conexiones de los obuses (usando la herramienta de centro de válvula apropiada) para obtener el máximo rendimiento. El caucho deformado sella el paso y los depresores del centro en las mangueras y las válvulas de Schrader defectuosas o innecesarias pueden restringir el flujo al 10%.

Si la presión del tanque excede de 31,5 bar, use el procedimiento del "tanque enfriado" para reducir la presión del tanque. Al recuperar cantidades grandes de líquido, use el "método de PUSH/PULL" de recuperación (vea el diagrama debajo).

PRECAUCIÓN

Al usar el " método de PUSH/PULL ", usted debe usar una balanza para prevenir sobrellenando el tanque del almacenamiento: Una vez que el " sifón de PUSH/PULL " se llena, puede continuar y sobrellenar el tanque del almacenamiento aun cuando el tanque esté provisto con un flotador el sensor de nivel de líquido. El sifón incluso puede continuar alimentando el tanque cuando la máquina esté parada. Usted debe cerrar las válvulas a mano en el tanque y en la unidad para prevenir el sobrellenando el tanque de recuperación.

DIAGRAMA DEL PROCEDIMIENTO DE RECUPERACIÓN CON EL MÉTODO DE ENFRIAMIENTO DEL TANQUE / PREENFRIAMIENTO

Para empezar debe tener un mínimo de 2,5 kg de refrigerante líquido en el tanque.

Estrangule la válvula de salida para que la presión de trabajo sea 7 bar (100 psi) mayor que la presión de la entrada, pero nunca más de 31,5 bar a (450 psi).

Arranque la unidad hasta que el tanque esté frío.

DIAGRAMA PARA LA RECUPERACIÓN DE REFRIGERANTE

Este método es el método más rápido para recuperar el refrigerante en fase de vapor.

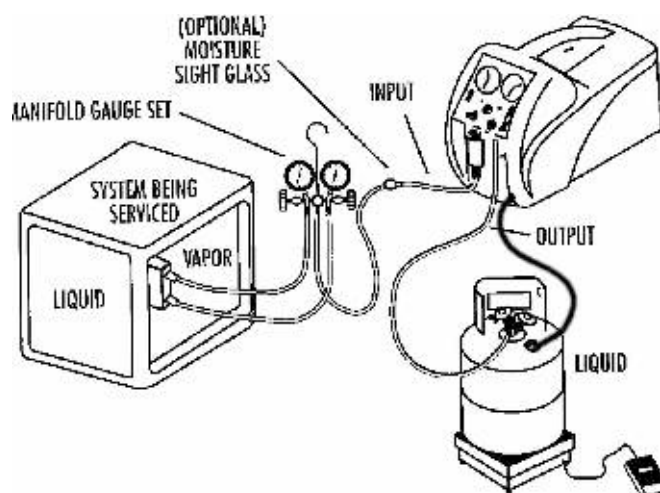
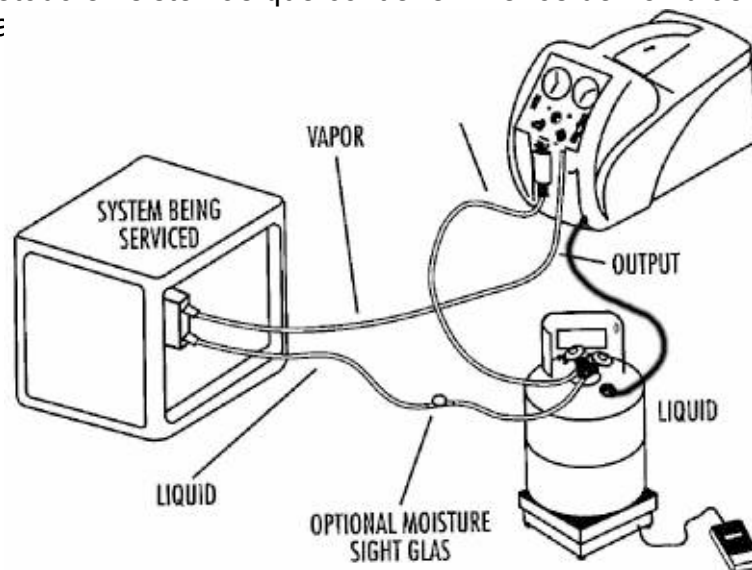


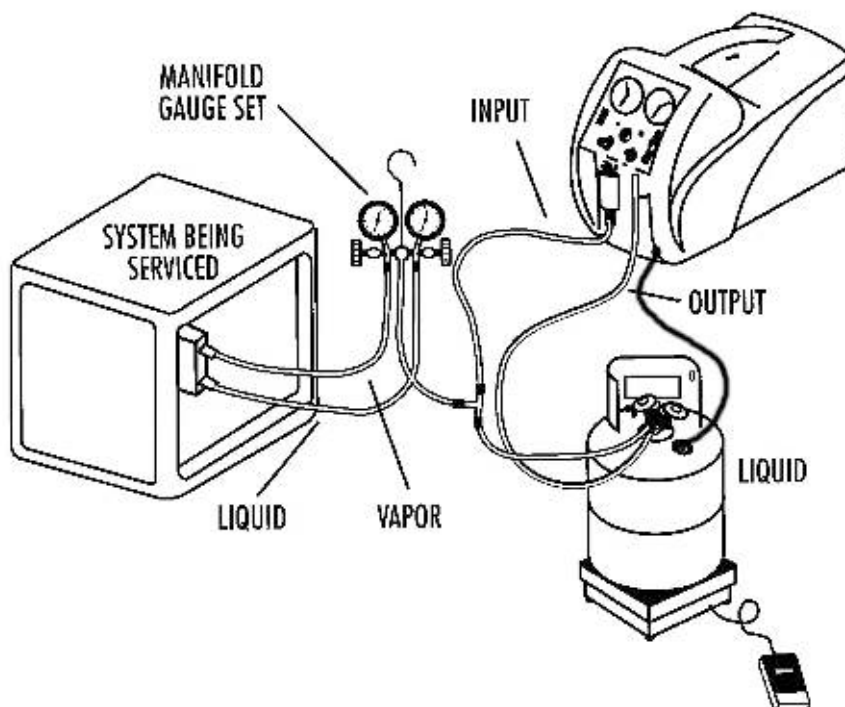
DIAGRAMA DEL MÉTODO "PUSH/PULL"

El método de "push/pull" sólo funciona con sistemas grandes dónde se accede fácilmente al líquido.

No use este método en sistemas que contienen menos de 15 libras (7 kg), con menos no se puede tr



RECUPERACIÓN OPTATIVA / DIAGRAMA DE CONEXIONADO DE LAS MANGUERAS PARA REALIZAR EL MÉTODO "PRE O SUBENFRIAMIENTO DEL TANQUE"

**Recuperación normal:**

La válvula de Vapor del tanque está cerrada.

Método del tanque pre o subenfriado:

La válvula de Vapor de tanque está abierta y las válvulas del puente de manómetros cerradas. Siga las instrucciones sobre el procedimiento.

PURGAR GASES NO CONDENSABLES CON LA RG5410A-E

Para Purgar los gases no-condensables del tanque de recuperación

1. Deje el tanque asentado tranquilamente durante 24 horas. (Esto permite al aire subir a la cabeza del cilindro).
2. Conecte un puente de manómetros y lea la presión en el tanque.
3. Mida la temperatura ambiente en el cuarto donde está el tanque.
4. Con tablas o diagramas que indiquen la relación de Presión-Temperatura del Gas Refrigerante. Encuentre la temperatura en el mapa y le dará la presión correspondiente para el tipo de refrigerante en el tanque. Determine con esto y con las lecturas en la medida.
5. Si la lectura de presión es más alta que la presión mostrada en el mapa, hay que purgar los gases no-condensables del tanque abriendo muy despacio la válvula de vapor del tanque para no causar turbulencia dentro del tanque. Controle en la disminución de presión hasta alcanzar la presión de saturación. Cuando la medida corresponde a esa presión, cierre la válvula de vapor.
6. Permita al tanque asentarse durante 10 minutos y verificar la presión de nuevo.
7. Repita el proceso de nuevo si fuese necesario.

LISTA DE PIEZAS

Pos.	Descripción	Código
1	Carcasa Plástico	100134 L&R
2	Rejilla del ventilador	100505
3	Ventilador Axial	EL1818
4	Condensador	CD1201
5	Motor	EL1822
6	Acoplamiento	CP1315
7	Campana Soporte	CP1001
8	Compresor	CP1320
9	Fusible 5x20mm	100406
10	Manómetro de entrada	GA1500
11	Manómetro Salida	GA0800
12	Cristales manómetros	GA1000
13	Interruptor ON/OFF	EL1310
14	Interruptor Arranque	EL1309
15	Llave Azul	100123
16	Llave Roja	100124
17	Llave Negra	100122
18	Panel frontal	110-200395-001
19	Filtro	100343
20	Tapón	NB6501
21	Cable de alimentación	135-200341-001
22	Interruptor de precisión	EL2802
23	Panel trasero	100318
24	Interruptor Selector	105-200396-001
25	Soporte Compresor	100207
26	Puente manómetros	700009
27	Conector filtro	100345
28	Montura de fusible	100419
29	Sensor de Vacío	113726

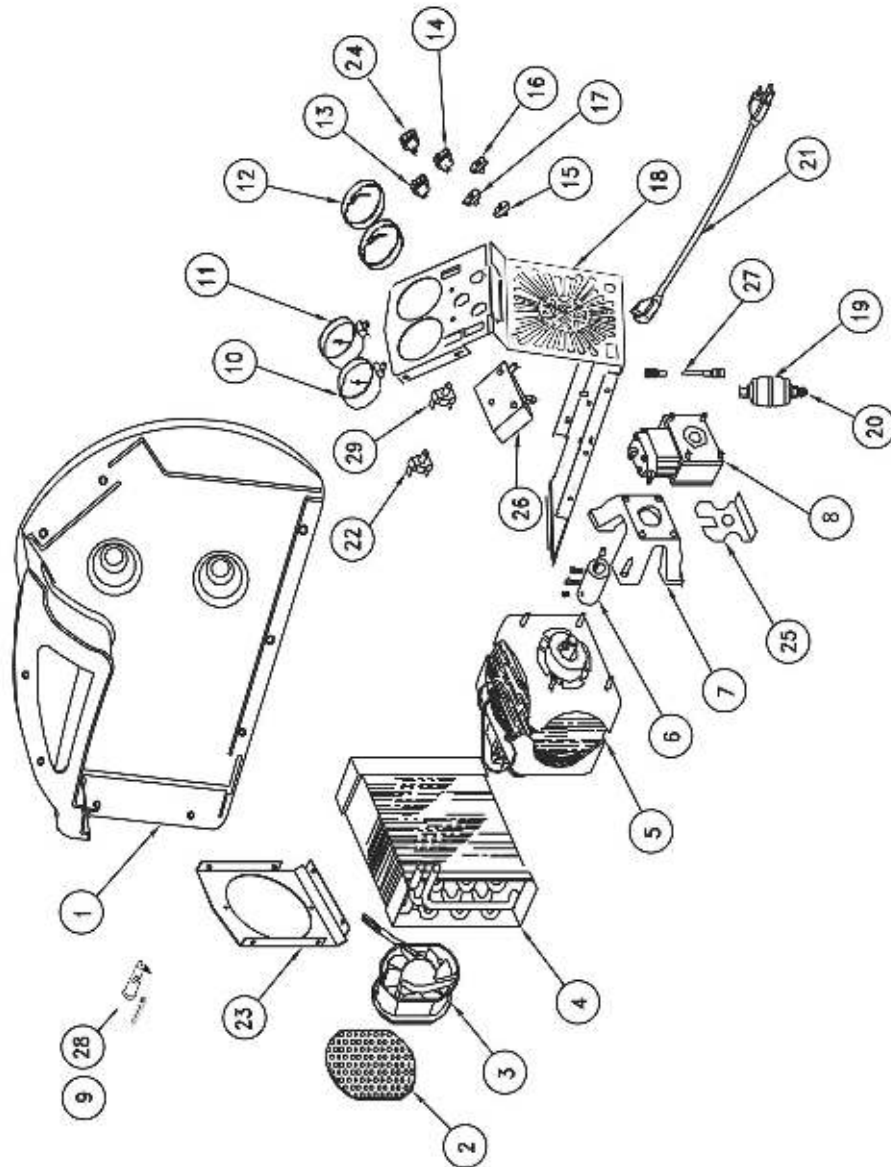
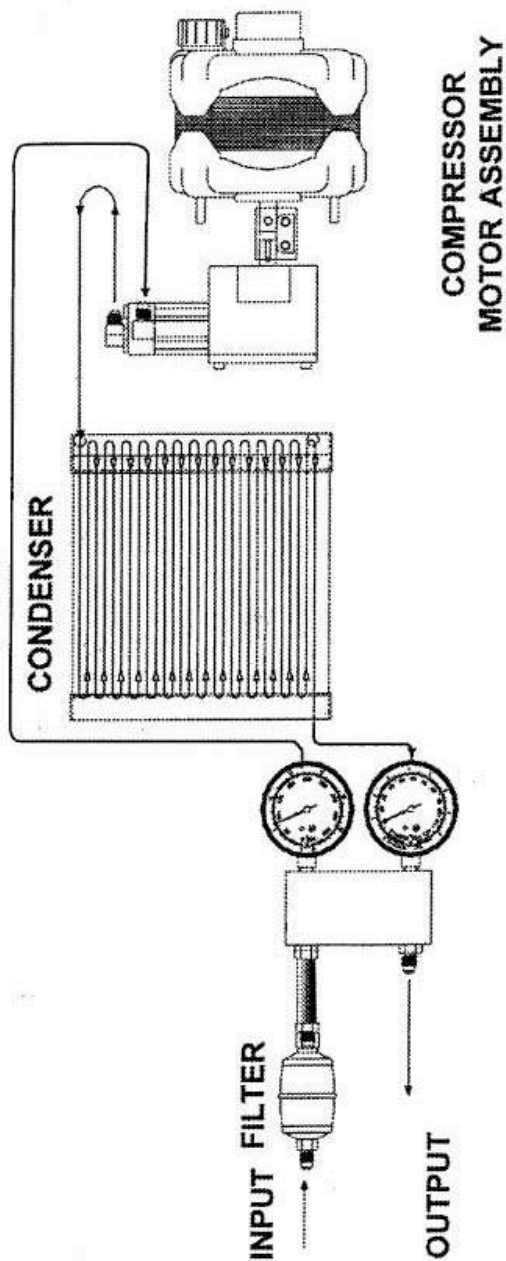


DIAGRAMA DE FLUJO DEL REFRIGERANTE



NOTA: Siempre debe usarse un filtro. No utilizar filtro en la entrada invalidará su garantía. El uso de un filtro reducirá el riesgo de daño grandemente a su RG5410A-E o RG5410A-E impidiendo al material extraño entrar en la unidad.

Debe tener una consideración especial en cuanto a la filtración cuando usted esté reparando una máquina que ha sufrido un "quemado". Nosotros recomendamos el uso de dos filtros secadores en serie, tamaño 162 , cuando este reparando una máquina quemada.

Recambios:

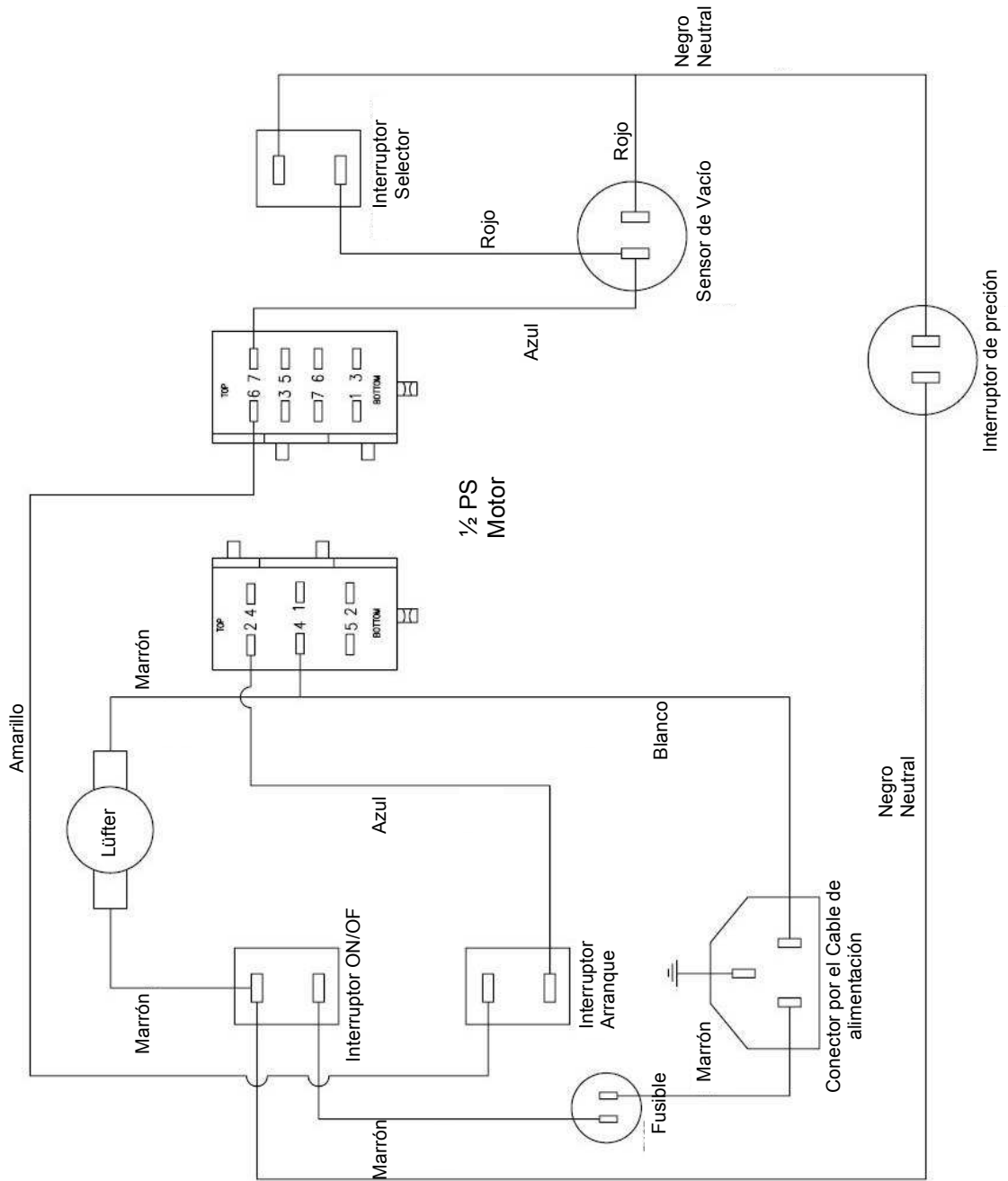
KT3302 Sello para el pistón de recambio (sección central del compresor)

KT3303 Kit de válvulas de recambio (sección superior del compresor)

KT3307 Kit para reparación del compresor (las 3 secciones del compresor)

KT3308 Kit para sustitución del eje del compresor (sección inferior del compresor)

DIAGRAMA DE CABLEADO ELÉCTRICO



PRESOSTATO DE SEGURIDAD (CON REARME MANUAL)

El RG5410A-E está provisto con un Interruptor de Presión de Seguridad interior. Si la presión dentro del sistema excede 38,5 bar,(550 p.s.i) el sistema se apaga automáticamente. Si el Interruptor de Presión de Seguridad se activa automáticamente llenando una botella, podría causar el sobrellenado de la botella.

¡Ésta es una situación muy peligrosa! Usted debe tomar las medidas oportunas para reducir la sobrepresión y/o eliminar el sobrellenado de la botella inmediatamente.

Si se dispara el presostato de seguridad...

Deben tomarse las precauciones siguientes cuando vaya a rearmar el presostato:

a. Sospecha de sobrellenado de la botella de recuperación

Conecte la botella de recuperación a otra botella con capacidad sobrante para que la presión se reduzca a un nivel seguro.

Esta acción también debe reducir la presión en la línea de salida del RG5410A-E. Proceda de forma normal después del restablecimiento del presostato de Seguridad (vea debajo).

b. La causa de activación del Presostato de Seguridad es desconocida

1. Asegúrese que la botella de recuperación no este sobrellenada.
2. Cierre las válvulas del sistema, válvulas de botella de recuperación y válvulas de RG5410A-E.
3. Desconecte RG5410A-E de las mangueras flexibles.
4. Desconecte Minimax"E del suministro de tensión.
5. Abra las válvulas de entrada y salida muy despacio.
6. Investigue la razón del fallo del presostato de seguridad.

Una vez activado el Presostato de Seguridad que tiene que ser restablecido a mano como sigue:

- I. Quite la tapa de protección de color rojo que oculta el botón de rearme.
- II. Restablezca el presostato empujando el botón con una herramienta como un destornillador.
- III. Reemplace la tapa.

EL CUIDADO Y MANTENIMIENTO DE SU RG5410A-E

Debe usarse siempre un filtro en la entrada y frecuentemente debe reemplazarse. En caso de no usar un filtro invalidará su garantía. El uso de un filtro reducirá el riesgo de daño grave a su RG5410A-E impidiendo al material extraño entrar en la unidad.

Debe prestar consideración especial en la filtración cuando usted sabe que la máquina que usted está reparando se ha quemado. Nosotros recomendamos el uso de dos filtros secadores de tamaño 162 , en serie, para trabajar con máquinas quemadas. Recomendamos también que se use un filtro limpio para cada trabajo de servicio. Cada filtro debe etiquetarse y debe usarse exclusivamente sólo para un tipo de refrigerante.

No use esta unidad en las cercanías de recipientes de gasolina u otros líquidos combustibles.

Evite el uso de alargadores. Si usted debe usar un alargador este debe tener una sección de superficie mínima de 1,5 mm² y no más largo que 5 metros para reducir el riesgo de fuego eléctrico.

Siempre purgue la unidad de cualquier refrigerante después de completar un trabajo de servicio. El líquido Refrigerante que sale del sistema o de la Unidad puede expansionar y causar daño a los componentes y a las personas.

Si la unidad va a ser guardada o no se usará durante mucho tiempo, recomendamos que sea completamente evacuada de cualquier refrigerante residual y purgarla con nitrógeno seco.

Siempre que usted realice cualquier tipo de trabajo de mantenimiento en su RG5410A-E, asegure que está desconectado del suministro de tensión antes de que usted empiece.

Especificaciones técnicas RG5410A-E

Tipo	RG5410A-E
Aplicación	Recuperación de refrigerante en Líquido o Vapor
Refrigerantes admitidos	R11 ,R12, R13B1, R22, R123 , R134a, R141B, R401A , R401 B, R402A , R402B , R404A , R407A , R407B , R407C, R408A , R409A , R410A , R500 , R502 , R503 , R507
Tensión de Alimentación	230V / 50Hz
Potencia	380 W
Dimensiones	330 x 229 x 483mm
Peso	14,5 kg
Rpm	1437 U/min
Presión máxima de trabajo	550 p.s.i. (38,5 bar)
Fuse	5x20mm, lento, 8A 250V
Presostato de Seguridad	Presostato de alta tipo P1 00 DA con rearme manual (550 p.s.i. /38,5 bar)

ATENCIÓN: El RG5410A-E no debe usarse con los gases inflamables ni con gases que contienen amoníaco.

DIRECTRICES ÚTILES PARA LA RECUPERACIÓN DE REFRIGERANTES

La recuperación de Gases Refrigerantes es obligatoria para todos los sistemas de refrigeración en los últimos años.

Es simplemente el proceso de sacar el refrigerante de un sistema y ponerlo en un tanque. Sin embargo, este proceso simple puede ser problemático si se pasan por alto ciertas pautas. Las siguientes pautas e indicadores que nosotros hemos desarrollado durante los últimos años sirven para hacer el proceso más sencillo. Primeramente usted necesita identificar el tipo de refrigerante y la cantidad en el sistema que usted va a recuperar.

Si usted determina que el sistema ha fallado por quemado del motor, usted necesita un tanque especial (un tanque que se identifica como contenedor de refrigerante de sistemas quemados u otros gases no identificados), y usted necesita usar una filtración extra a la recuperación.

Si, por otro lado, usted sabe el gas en el sistema es relativamente limpio o nuevo, entonces debe usarse un tanque nuevo.

Si usted está pensando en volver a poner el refrigerante en el mismo sistema después de que usted ha terminado el servicio o si el refrigerante va a ser utilizado posteriormente, entonces use un tanque que tenga el mismo refrigerante en él. Una recomendación de la Agencia de la Protección del Medioambiente (EPA): Si usted usa una variedad de gases refrigerantes en su trabajo de frigorista -como evidenció por sus compras de gases refrigerantes -y usted sólo posee un tanque, usted está creándose problemas. Le aconsejarían bien que poseyera un tanque por lo menos para cada tipo de gas refrigerante recuperado, más un extra para los quemados y otros gases desconocidos.

Planificación: Sabiendo la cantidad de gases refrigerantes es importante para planificar los requisitos del almacenamiento, así como planificar el almacenamiento de los gases recuperados. Por ejemplo, cualquier sistema con más de 2,5 kg de refrigerante es probable que tenga áreas dónde el líquido puede retenerse.

La clave para un procedimiento rápido de recuperación es conseguir recuperar el líquido primero, y después el vapor restante. Sin embargo la mayoría de los sistemas no es fácil la recuperación. Es porque en los sistemas frigoríficos no tienen fácil acceso a sus puntos más bajos. Si algunas unidades que usted está reparando están en los contratos de mantenimiento, usted ahorraría el tiempo significativo instalando el acceso a los puntos más bajos del sistema dónde es probable que el líquido permanezca retenido. Desde que la mayoría de los sistemas no tiene estos puertos usted necesita estar preparado para hacer hervir el líquido atrapado con una pistola de calor. Un indicador de líquido entrampado en un sistema es escarcha o condensación que forman en las tuberías o componentes dónde el líquido se entrampa. El líquido entrampado puede estar en una área que no es visible. En todos los casos el líquido entrampado en un sistema durante el proceso de la recuperación es la causa de que la recuperación sea muy lenta, sin tener en cuenta el tamaño o tipo de máquina.

Si usted es incapaz de localizar el líquido entrampado (pero usted sabe que está allí, porque el trabajo de la recuperación discurre muy lentamente), encienda el compresor del sistema (si es operable) durante unos segundos. Con esto conseguirá que el líquido refrigerante que mueva a otra parte del sistema y así poder recuperarlo.

LAS MANGUERAS Y VÁLVULAS

Las mangueras y válvulas de tipo Schraeder tienen un impacto grande en la velocidad de la recuperación. En general, con una manguera más grande, tenemos menos fricción en el flujo de refrigerante y es más rápido el tiempo de la recuperación. Muchos frigoristas están usando mangueras de 3/8 " para la entrada a la máquina de la recuperación, aun cuando las conexiones originales de las máquinas sean de 1/4 ". Deben quitarse las válvulas de Schraeder del principio de la conexión para una recuperación eficiente. La mayoría de los comerciantes al por mayor venden herramientas para quitar estos obuses, sin entradas de aire ni pérdidas de gas. El depresor del los extremos de la manguera, también debe quitarse. Estas dos tareas pueden llevar unos 20 minutos de trabajo, que será recuperado de sobra, pues la máquina tardará menos en recuperar el gas. De modo que debe asegurarse de quitar las válvulas de Schraeder y depresores de las mangueras antes de cada trabajo de recuperación.

Otra consideración de la manguera es la pequeña junta de caucho al final de la manguera que hace de sello contra la conexión. Nosotros hemos comprobado como estas juntas se introducen y se deforman taponando virtualmente la conexión. Esto probablemente nunca se nota en trabajos de carga, porque la presión abre el orificio, pero durante la recuperación (o con la succión) el orificio deformado restringe el flujo de refrigerante severamente.

Reciclado Refrigerantes

Las regulaciones actuales de cada Estado prohíben la venta del refrigerante recuperado, o usó en un equipo de dueño diferente, a menos que el refrigerante ha sido analizado en un laboratorio y reúna los requisitos de ARI 700 (la última edición) .Como resultado, en la mayoría de los casos, los costes no justifican económicamente el análisis de conformidad a la norma ARI 700 de los gases recuperados. Por lo tanto es una gran idea para hacer una buena limpieza de refrigerante que se reutilice en el mismo sistema (u otro sistema del mismo dueño), para aprovechar este gas. Nosotros recomendamos usar filtros anti-ácidos de gran capacidad que son económicamente rentables. Ponga estos filtros en la succión o lado de la entrada de la unidad de la recuperación. Se recomienda cambiar a menudo el filtro.

La recuperación de cantidades grandes de refrigerante líquido a veces puede llevar con él cantidades grandes de aceite, si el sistema a recuperar no tiene un separador de aceite adecuado instalado. Si el refrigerante recuperado no va a ser cargado en el mismo sistema, usted podría querer separar el refrigerante del aceite para medir el aceite (para saber cuánto aceite ha sacado del sistema). Sin embargo, los gases refrigerantes recuperados que se envíen para su destrucción a un gestor de estos residuos, no hace falta separar el aceite. Una de las maneras más simples y efectivas para separar el aceite es poner en la línea de recuperación un tanque de 0,8 a 1,5 litros, con tomas de líquido y de vapor. Conecte el sistema entonces a la toma de líquido del tanque y la salida de vapor del tanque conéctela a la entrada de su máquina de recuperación, la salida de la máquina de recuperación, como siempre, a un segundo tanque de almacenaje para guardar el refrigerante. Si usted encuentra las cantidades

grandes de líquido en el primer tanque, usted necesitará poner un calentador de venda (manta calentadora) alrededor del primer tanque para evaporar el líquido y aspirarlo con la recuperadora, despacio para no arrastrar el aceite del fondo.

Cuando el trabajo de la recuperación está completo, el aceite puede quitarse del primer tanque, aplicando una cantidad pequeña de presión, usando el nitrógeno, en una de las tomas y expulsando el aceite por la otra. Si usted va a sacar el aceite por la toma de vapor, usted necesitará volverse el tanque al revés. Siempre las gafas de seguridad cuando este manipulando el aceite ya que éste puede tener sustancias ácidas y podrían causar quemaduras severas.

DEJANDO FUERA LA SUCIEDAD

Durante el proceso de recuperación, su máquina de recuperación puede exponerse a sustancias agresivas que pueden, potencialmente, dañarla. Incluyendo restos de soldaduras, cobre, latón y otros materiales que son arrastrados por ella. Más allá puede introducirse la contaminación de los tanques de almacenamiento de refrigerante. Siempre prolongar la vida de su máquina de recuperación usando un filtro en línea. Siempre que usted esté recuperando el gas de un sistema a un cilindro de recuperación, es una idea buena para usar un filtro en línea para proteger el sistema de la contaminación. De nuevo, cambie el filtro a menudo.

Recuperando líquido (Vea el "Método Push/Pull " "Empujón/Tirón")

El método Push/Pull es un método para quitar el líquido a granel de un sistema que usa el diferencial de presión creado por la máquina de la recuperación. El método Push/Pull generalmente no trabajará en los sistemas más pequeños porque no hay ningún depósito líquido a granel para crear un sifón con el. El Empujón/Tirón es principalmente usado en los sistemas que tienen un depósito de líquido o aquéllos con más de 600 grs. de refrigerante, o al transferir de un tanque a otro. La proporción de traslado de líquido depende mucho del tamaño de la manguera, con manguera más grandes se consigue sacar mejor el refrigerante.

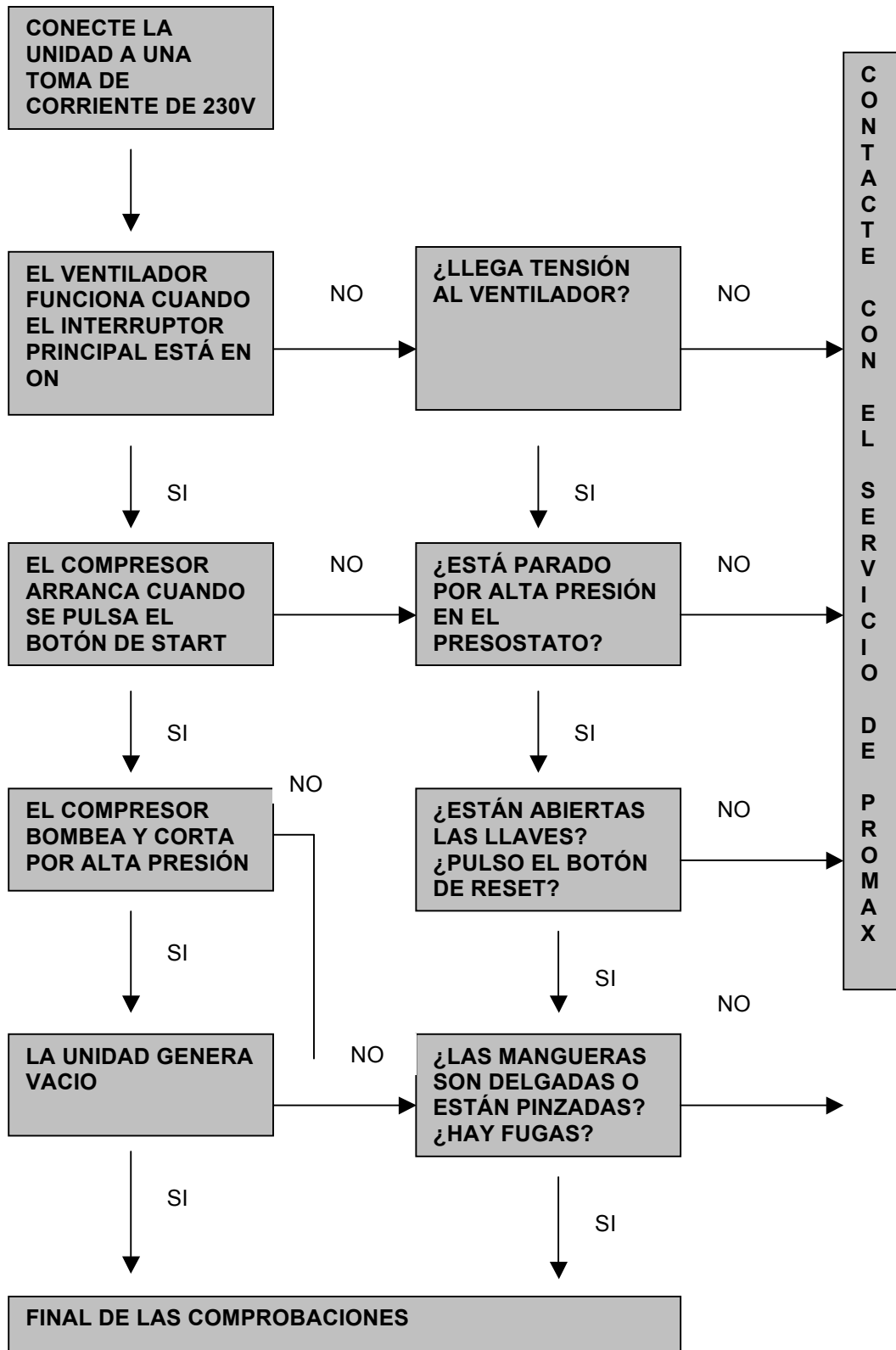
Otro truco es enfriar el tanque de recuperación, si está parcialmente lleno, antes o durante la recuperación. Con este método bajará la presión en el tanque del almacenamiento y por consiguiente acelerará la recuperación. Debe haber un mínimo de 150 grs de refrigerante líquido en el tanque que usted desea enfriar. El enfriamiento puede realizarse antes o durante la recuperación. Vea los dos métodos y sus diagramas de conexión en página 10 de este manual.

No hay nada de magia aquí, usted está usando su máquina de recuperación simplemente para hacer un refrigerador dónde el tanque es el evaporador. Estrangulando la válvula de salida, usted está creando un tubo capilar o un dispositivo de expansión eficazmente, pero usted necesita ajustar la presión de la parte de atrás para satisfacer las condiciones de funcionamiento de acuerdo al tipo de refrigerante. Cinco a diez minutos de enfriamiento del tanque pueden producir un enfriamiento muy drástico, dependiendo de las condiciones. Si en el tanque hay cualquier gas no condensable este proceso no funcionará. También, cuanta más cantidad de refrigerante haya en el tanque, el proceso será más largo.

ARREGLANDO SU MINIMAX

¡La manera segura es la única manera!

Lea y entienda toda la información que contiene este manual antes de reparar la unidad seguramente.



PROMAX



GEBRUIKERSHANDBOEK RG5410A-E

INHOUDSOVERZICHT

I) Veiligheidsmaatregelen	
A) Veiligheid boven alles!	1
B) Procedure m.b.t. het afpompen van koudemiddelen	2
II) Belangrijke algemene informatie	3
III) Gebruikers procedures	
A) Het gebruik van de RG5410A-E	4-6
Het gebruik van de lage druk schakelaar	6
B) Diverse toepassingen	7-9
C) Het verwijderen van niet-kondenseerbare gassen	10
IV) Overzichten en schema's	
A) Onderdelenlijst	11
B) Koeltechnisch leidingsschema	12
C) Elektrische schema's	13
V) Veiligheid drukschakelaar	14
VI) Belangrijk onderhoud	15
VII) Technische gegevens	16
IX) Behulpzame tips	17-19
X) Mogelijke storingen	20

De informatie in dit gebruikershandboek kan worden gewijzigd zonder voorafgaande kennisgeving.

Dit handboek mag zonder uitdrukkelijke schriftelijke toestemming van Advanced Test Products op geen enkele wijze of vorm verveelvoudigd worden.

VEILIGHEID BOVEN ALLES

OPMERKING: Indien u niet in het bezit bent van een terdege koeltechnische kennis m.b.t. het behandelen van koudemiddelen, dan dient u dit apparaat niet te bedienen.

1. De technicus dient altijd een veiligheidsbril en handschoenen te dragen.
2. Zorg ervoor, dat de ruimte waarin u werkt altijd voldoende is geventileerd. Dit is belangrijk, wanneer het vermoeden aanwezig is, dat er een lekkage is. Koudemiddeldamp kan de gezondheid schaden en is mogelijk levensbedreigend.
3. Denk altijd na bij wat u doet. Handelen vanuit gewoontes of routine veroorzaakt onvoorzichtigheid. Onvoorzichtigheid kan leiden tot ongelukken en levensgevaarlijke situaties.
4. Zorg, dat u met alle installatie-gegevens bekend bent, zo ook met gegevens m.b.t. het koudemiddel en de olie, waarmee u in aanraking kan komen. Indien niet voorhanden vraag deze op bij de desbetreffende leverancier(s).
5. Gebruik bij het opsporen van lekkages de daarvoor geschikte apparatuur. Let op, olie kan onder druk en met zuurstof een explosief mengsel vormen.
6. Koeltechnische installaties zijn meestal elektrisch aangedreven en/of bestuurd. Schakel elke stroomvoorziening uit, waarmee u in aanraking zou kunnen komen.
7. Het opslaan van de koudemiddel cilinders moet in een zo koud mogelijke en droge plaats geschieden.
8. Open altijd alle afsluiters op cilinders en installaties langzaam. Dit maakt het mogelijk weer snel in te grijpen indien er gevaar ontstaat. Wanneer er de overtuiging bestaat, dat er geen gevaar aanwezig is, open dan pas alle afsluiters volledig.
9. Zorg ervoor, dat verschillende koudemiddelen niet door elkaar raken. Elk koudemiddel heeft zijn eigen cilinder. Dit geldt ook voor de filters e.d..
10. Wanneer vocht in een installatie komt, kan dit de oorzaak worden van schade aan de installatie. Houdt alles wat verbinding heeft met de installatie schoon en droog.
11. Wanneer u een verlengsnoer moet toepassen voor de stroomvoorziening (230V/50 HZ/1ph./4A) overtuig uzelf, dat het verlengsnoer geschikt is voor deze unit en houdt het verlengsnoer zo kort mogelijk ter voorkoming van een eventuele brand. Deze unit mag gebruikt worden in ruimten waar minstens 4 keer per uur de totale inhoud mechanisch geventileerd wordt. Is dit niet het geval, dan dient de unit 45 cm. boven de vloer geplaatst te worden. Gebruik de unit nooit in de buurt van explosieve- en brandbare gassen.

PROCEDURE M.B.T. HET AFPOMPEN VAN KOUEMIDDELEN

Veiligheid komt altijd eerst. Overtuig uzelf ervan, dat u met alle veiligheidsinstructies voor het behandelen van koudemiddelen bekend bent. Gebruik de unit nooit in een explosieve omgeving. Draag een veiligheidsbril en werkhandschoenen. De omgeving dient geventileerd te zijn. De unit mag alleen bediend worden door gekwalificeerd personeel.

92% KOUEMIDDELCILINDERS VOORZICHTIG BEHANDELEN***
 Alleen toegelaten en geteste, volgens de geldende normen Koudemiddelcilinders met een toelaatbare bedrijfsdruk van minimaal **41 bar** mogen gebruikt worden.

OPGELET: Het gebruik van eenmalige koudemiddelcilinders voor het afpompen van koudemiddel is niet toegestaan. Alleen daarvoor geschikte en gekeurde cilinders volgens de normen in Nederland, België en Luxemburg mogen gebruikt worden.

OPMERKING: Retour cilinders zijn ontworpen voor diverse toelaatbare drukken. De maximale toelaatbare werkdruk van een cilinder mag nooit overschreden worden.

De veiligheidsvoorschriften schrijven voor, dat een cilinder nooit verder gevuld mag worden dan 80% van het volume van de cilinder met vloeistof.

HET TRANSPORT VAN OVERVULDE CILINDERS IS NIET TOEGESTAAN.

Het koudemiddel expandeert, wanneer de temperatuur van de cilinder stijgt en de cilinder kan dan ontploffen.

CILINDERTEMP.	16 °C	21 °C	38 °C	54 °C	66 °C
BEGIN CILINDER MET 80% VULLING VAN VOLUME					
VOLUME VLOEISTOF IN %					
BEGIN CILINDER MET 90% VULLING VAN VOLUME					
VOLUME VLOEISTOF IN %					

BELANGRIJKE ALGEMENE INFORMATIE

Voordat u de RG5410A-E gaat toepassen lees onderstaande informatie aandachtig door.

1. Verplaats zoveel mogelijk koudemiddel tussen de afsluiters en sluit deze, zodat wanneer er lekkage ontstaat tijdens de werkzaamheden, dit koudemiddel niet kan ontsnappen.
2. Plaats altijd blinddoppen op de aansluitingen van de koudemiddel cilinder. Dit is om te voorkomen, dat d.m.v. lekkende afsluiters op de cilinder het koudemiddel weg lekt.
3. Wanneer de unit wordt gebruikt, zorg dan, dat de unit zoveel mogelijk horizontaal staat.
4. De RG5410A-E is met een interne hogedruk pressostaat uitgevoerd en schakelt de unit uit bij een druk van 38,5 bar.

OPMERKING

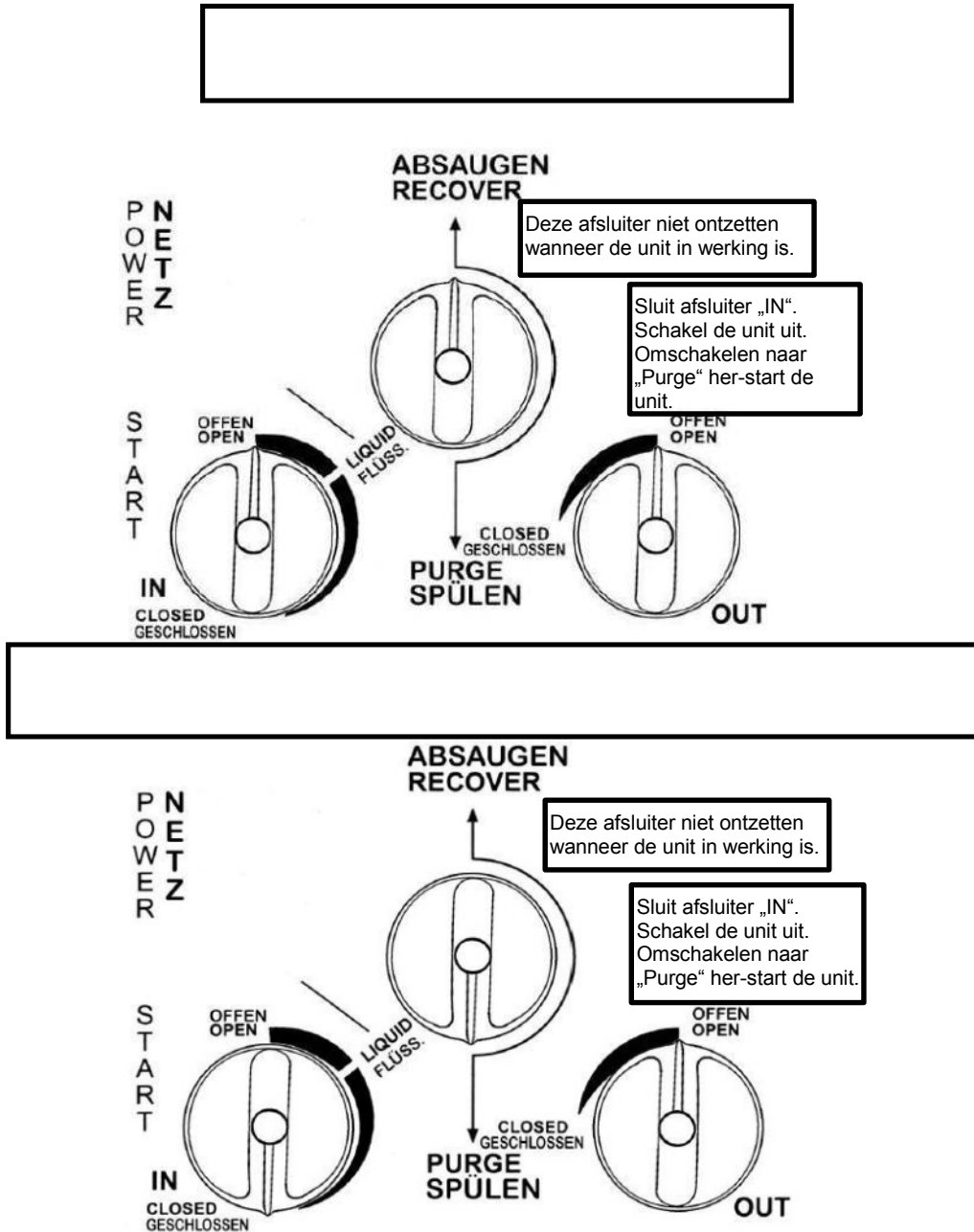
Deze pressostaat kan een eventuele overvulling van een cilinder niet verhinderen. Wanneer uw systeem uitgeschakeld wordt door de hogedruk pressostaat en nog is verbonden met de cilinder, kan die cilinder overvuld worden/zijn. Een gevaarlijke situatie is nu ontstaan, neem direkt actie om de druk te verlagen en overvulling te voorkomen.

5. **WAARSCHUWING!** Overvul de cilinder nooit, overvulling kan leiden tot ontploffingsgevaar.
6. Er moet een weegschaal gebruikt worden om overvulling van de cilinder te voorkomen..
7. Cilinders en filters zijn ontworpen voor 1 soort koudemiddel. Wanneer een cilinder is gebruikt voor een ander koudemiddel, leeg dan de cilinder volledig, vacumeer hem en breek het vacuüm met droge stikstof en vacumeer opnieuw.
8. Wanneer u een burn-out systeem afpompt, is een speciale behandeling noodzakelijk. Plaats een burn-out filter in combinatie met een filterdroger aan de intrede van de unit.
9. Wanneer de installatie leeg is, spoel de RG5410A-E met een kleine hoeveelheid schone koelolie. Spoel met een kleine hoeveelheid schoon koudemiddel om ongewenste vervuiling te verwijderen.
10. Maak de unit vrij van het koudemiddel (zie ledigen unit). Het koudemiddel kan in de kondensor in vloeistofvorm achterblijven. Dit kan leiden tot schade aan de unit.

GEBRUIK RG5410A-E

Sluit de RG5410A-E aan op de voeding. Schakel de hoofdschakelaar "POWER" in op "ON". De condensorventilator draait nu. Start de compressor door de schakelaar "START" in te drukken. (In sommige gevallen is het nodig dit meerdere malen te doen, om de compressor te starten.) Voor uitgebreide informatie zie sticker aan de buitenzijde van de unit.

GEBRUIKSMOGELIJKHEDEN



OPMERKING:

Om over te schakelen van het afpompen naar het ledigen van de unit, sluit afsluiter "IN", schakel de unit uit en schakel de middelste afsluiter om naar positie "PURGE".

INGEBRUIKNAME VAN UW RG5410A-E

Procedure voor het normaal afpompen van het systeem

- 1 Overtuig U er zorgvuldig van dat de RG5410A-E gereed is voor gebruik.
- 2 Wees er zeker van dat alle aansluitingen goed en dicht zijn.
- 3 Open de vloeistofaansluiting van de retourcilinder (altijd de afsluiters langzaam openen om de slangen en aansluitingen te controleren op lekkage).
- 4 Overtuig U ervan dat de Recover/Purge afsluiter staat op Recover.
- 5 Open de uitgaande aansluiting van de RG5410A-E.
- 6 Open de vloeistofaansluiting op de manometer set; met het openen van de vloeistofaansluiting zal als eerste de vloeistof uit de installatie verwijderd en sterk de hersteltijd reduceren. (nadat de vloeistof is verwijderd, open de gasaansluiting van de manometer om het ledigen van de installatie te beëindigen).
- 7 Sluit Uw RG5410A-E aan op 230V.
 - a) Schakel de hoofdschakelaar om op "ON" , U hoort nu de ventiaaltor draaien.
 - b) Druk op de start knop van de compressor. Deze "tijdelijke" schakelaar zal de compressor opstarten (het kan noodzakelijk zijn, onder bepaalde omstandigheden om deze meerdere malen in te drukken om de compressor te starten).
- 8 Open langzaam de intrede-aansluiting op de RG5410A-E.
 - a) Als de compressor begint te trillen, draai langzaam de ontrede-afsluiter terug tot de trillingen stoppen.
 - b) Wanneer de intrede-afsluiter is teruggedraaid, moet hij als de vloeistof uit het systeem is verwijderd volledig geopend worden.(De manometer gasaansluiting moet ook gelijktijdig geopend worden).
- 9 Draai tot het minimum gevraagde EPA vacuüm is bereikt.
 - a) Sluit de manometer gas en vloeistof aansluitingen.
 - b) Sluit de RG5410A-E intrede-aansluiting.
 - c) Schakel de unit uit en ga door met de procedure op de volgende pagina.
- 10 Reinig altijd de RG5410A-E na elk gebruik. Bij verkeerde reiniging kan het achtergebleven koudemiddel in de RG5410A-E in het aantasten van interne componenten door zuren, uiteindelijk veroorzakend vroegtijdige storingen van de unit.

LET OP

Bij pompen van vloeistof is het niet toegestaan om de RG5410A-E te laten draaien met de intrede-afsluiter te ver open, zodat de compressor begint te trillen. Doet U dit toch dan kan de compressor vastlopen.

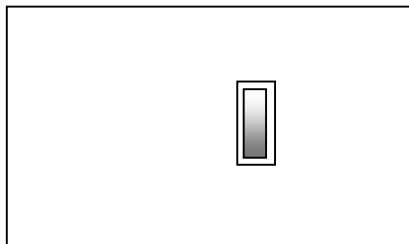
HET IN BEDRIJF STELLEN VAN UW RG5410A-E

Procedure voor het reinigen van overgebleven koudemiddel in de de RG5410A-E

1. Sluit de aansluitngen van de installatie welke u in onderhoud heeft , die zijn aangesloten op de intrede-aansluiting van de RG5410A-E.
2. Sluit de intrede-aansluiting van de RG5410A-E.
3. Zet de RG5410A-E uit.
4. Zet de Recover/Purge afsluiter op de "purge" stand.
5. Start de RG5410A-E opnieuw.
6. Draai tot dat de vereiste vacuüm is bereikt.
7. Sluit de aansluitingen op de retourcilinder en de RG5410A-E aan.
8. Zet de RG5410A-E uit.
9. Zet de Recover/Purge afsluiter terug in de "recover" stand.
10. Ontkoppel de slangen en berg ze op.
11. Vervang de intrede filter van Uw RG5410A-E elke keer nadat er buitengewone vervuiling is aangetroffen.

Het gebruik van de lage druk schakelaar

Het unit RG5410A E is uitgerust met een lage druk pressostaat welke in/uit schakelbaar is, ON/OFF (VAC Sensor Select). Als de lage druk voorkeur schakelaar ingeschakeld wordt (ON) zal het unit automatisch uitschakelen als een druk van 0,45 bar absoluut bereikt wordt. Indien de lage druk voorkeur schakelaar uitgeschakeld staat (OFF) zal het unit continue blijven af pompen, OOK ALS DE DRUK REEDS GEZAKT IS TOT MINDER ALS 0 – BAR



Om te beginnen moet de cilinder een kleine hoeveelheid vloeistof bevatten. Regel de uittrede afsluiter "OJT" zodanig dat er een persdruk ontstaat van ca. 7 bar hoger, dan de intrede druk. De uittrede druk mag nooit hoger zijn dan 31,5 bar.

AANVULLENDE INFORMATIE VOOR HET AFPOMPEN VAN HET KOUDEMIDDEL

Om het diepste vacuüm te bereiken, gebruik de cilinder koelprocedure, voor het verlagen van de druk in de cilinder. Herhaal deze procedure wanneer noodzakelijk. Wanneer er in de cilinder geen vloeistof aanwezig is functioneert de cilinder koelprocedure niet. Gebruik in dit geval een lege cilinder, volledig gevacumeerd, om een zo laag mogelijk eind-vacuüm te bereiken. Throttle the output valve so that the output pressure is 7 bar (100 psi) higher than the intake pressure. The output pressure must never exceed 31.5 bar (450 psi).

Gebruik slangen met een zo groot mogelijk doorsnede en zo kort mogelijke lengte. Verwijder zoveel mogelijk alle schraderventielen.

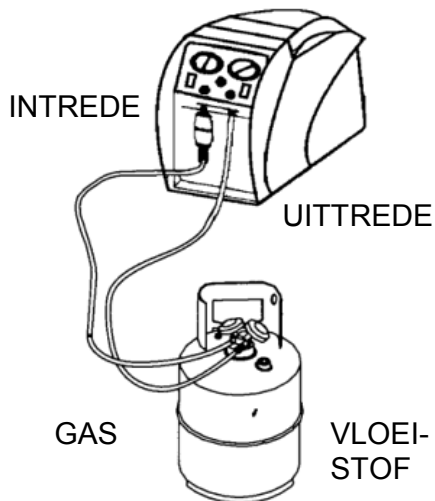
Wanneer de druk in de retourcilinder hoger wordt dan 31,5 bar, gebruik dan de cilinderkoelprocedure om deze druk te verlagen.

Wanneer grote hoeveelheden vloeistof verwijderd moeten worden, gebruik dan de push/pull methode (zie schema hieronder).

WAARSCHUWING: wanneer de push/pull methode toegepast wordt, gebruik dan altijd een weegschaal om overvulling te voorkomen. Wanneer eenmaal de push/pull methode is gestart kan de cilinder eenvoudig overvuld worden, ook wanneer de cilinder is uitgevoerd met een beveiligingscensor. Bij de push/pull methode is er na afschakelen altijd een naijlend effect door het gecreëerde drukverschil in de installatie.

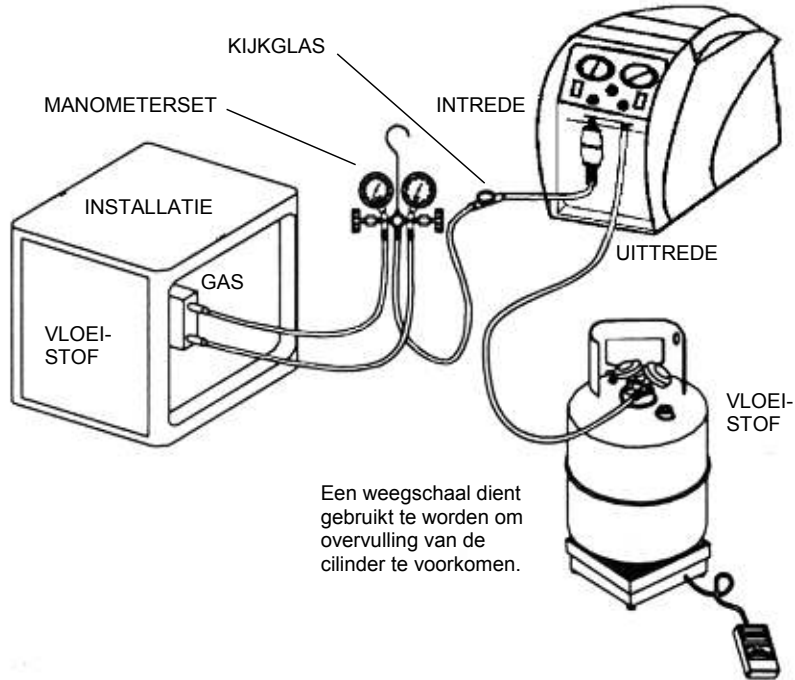
LET OP: de afsluiters op de cilinder moeten handmatig gesloten worden bij een volle cilinder.

SCHEMA VOOR HET VOOR- EN NAKOELEN VAN DE CILINDER



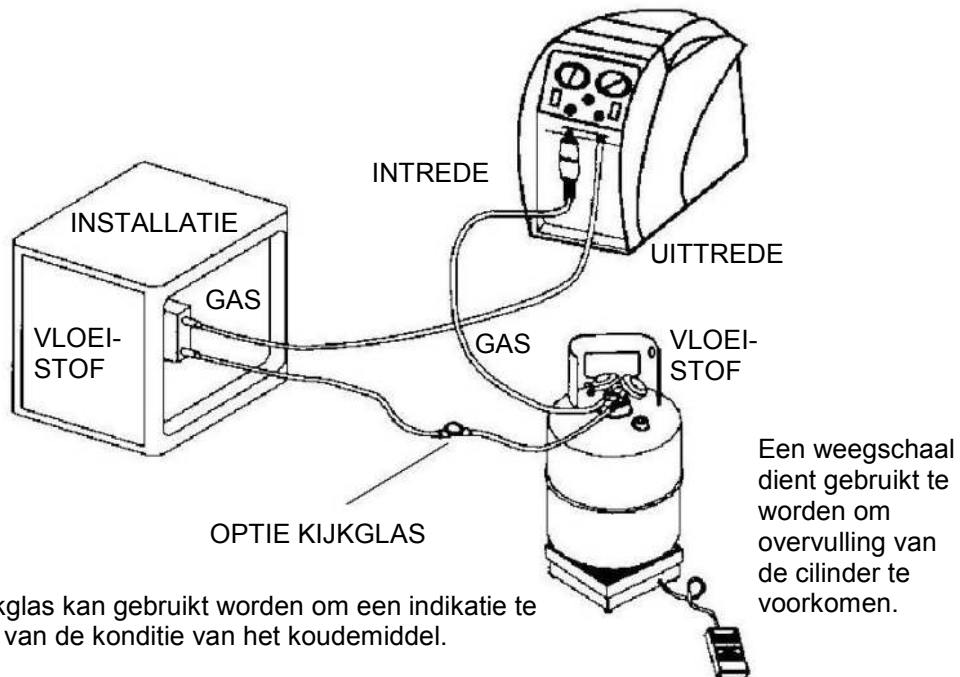
SCHEMA VOOR HET AFPOMPEN VAN HET KOUDEMIDDEL

Dit is de snelste methode voor het afpompen van gasvormig koudemiddel.



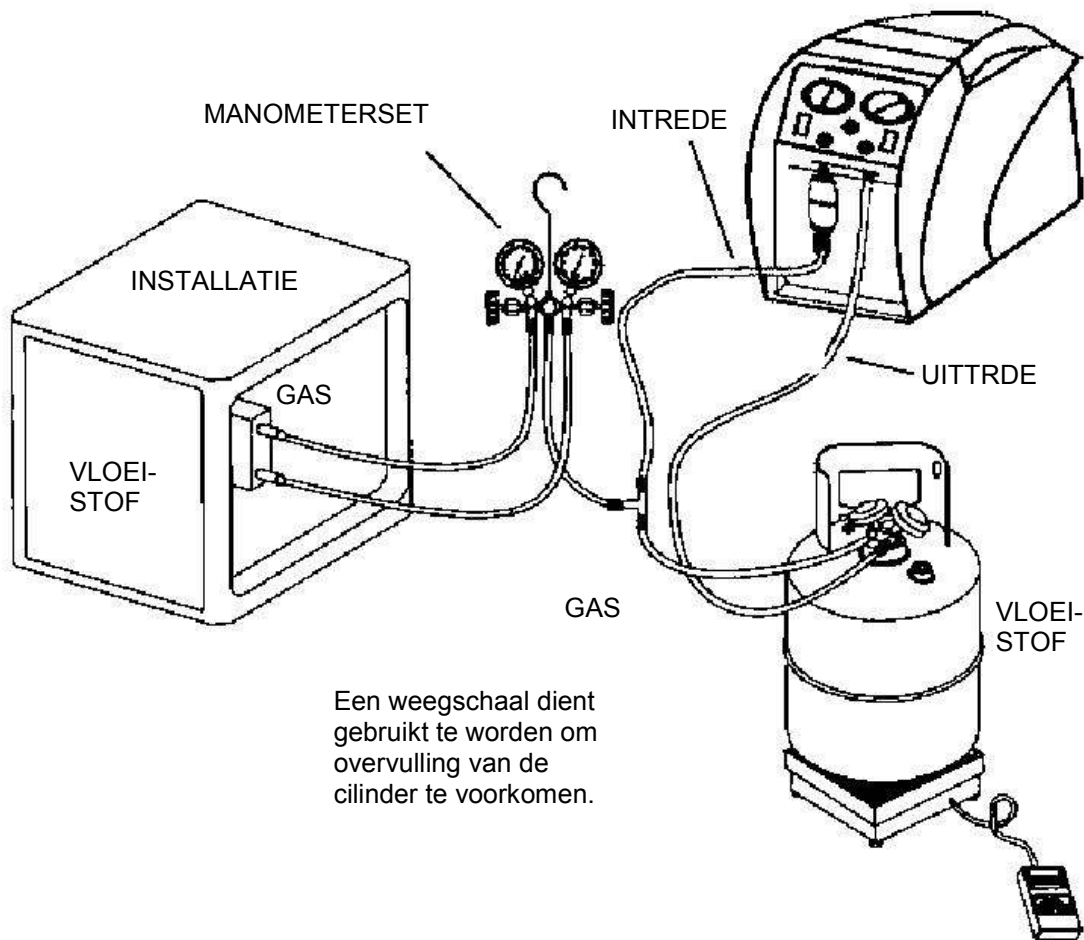
SCHEMA PUSH/PULL METHODE

De push/pull methode functioneert alleen bij grote installaties waar vloeistof toegankelijk is. Gebruik deze methode niet bij installaties met een inhoud kleiner dan ca. 7 kg. Deze methode zou dan niet kunnen functioneren.



SCHEMA VOOR HET AFPOMPEN VAN HET KOUDEMIDDEL MET DE MOGELIJKHEID VOOR HET KOELEN VAN DE CILINDER TIJDENS HET AFPOMPEN

OPBOUW VOOR AFPOMPEN MET MOGELIJKHEID VOOR TUSSENTIJDEN KOELEN
VAN DE CILINDER



Normaal afpompen van het koudemiddel:

De cilinder-afsluiter gaszijdig is afgesloten.

Voor- of tussentijds koelen van de cilinder:

De cilinder-afsluiter gaszijdig is geopend en de afsluiters van de manometerset zijn gesloten.

AFPOMPEN MET DE RG5410A-E

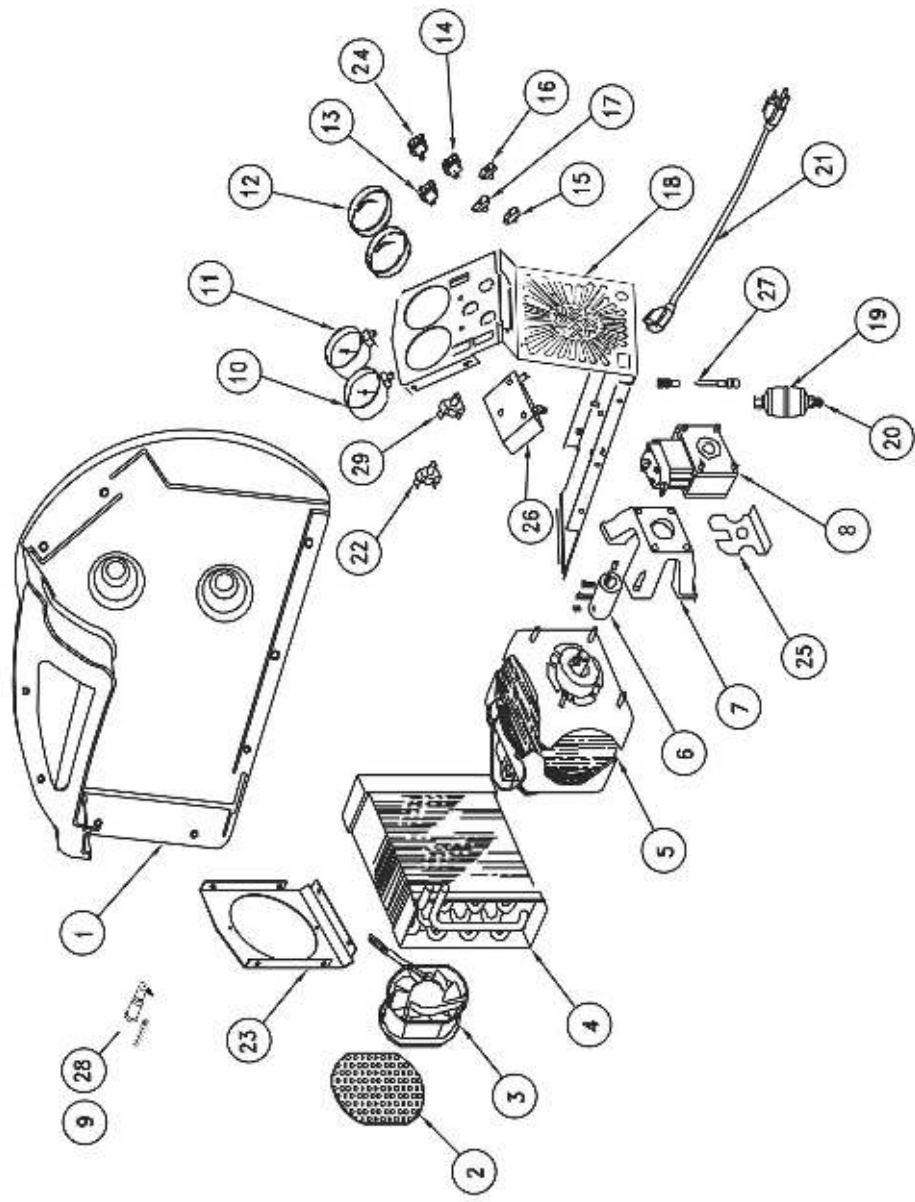
Verwijderen van niet kondenseerbare gassen uit de cilinder

1. Laat de retourcilinder 24 uur lang staan. Hierdoor kunnen de niet kondenseerbare gassen naar boven stijgen.
2. Sluit een manometerset aan op de cilinder en stel de druk vast in de cilinder.
3. Meet de omgevingstemperatuur en in geval van twijfel ook de temperatuur van de cilinder.
4. Vergelijk de temperatuur met de druk van het desbetreffende koudemiddel. Gebruik hiervoor de bijbehorende temperatuur- en druktabelen.
5. Wanneer na vergelijking de temperatuur hoger is dan uit de vergelijking blijkt, open dan langzaam de afsluiter gaszijdig op de cilinder. Doe dit langzaam zodat er geen turbulentie ontstaat in de cilinder. Kijk naar de drukval in de cilinder op de desbetreffende manometer. Laat de druk niet verder dalen dan de gewenste druk verhoogd met ca. 0,3 bar. Sluit de afsluiter op de cilinder. De verhoging met 0,3 bar is om te voorkomen, dat opnieuw lucht in de cilinder kan komen.
6. Laat de cilinder opnieuw 10 minuten tot rust komen en controleer de druk en de temperatuur opnieuw.
7. Herhaal het bovengenoemde, wanneer noodzakelijk, opnieuw.

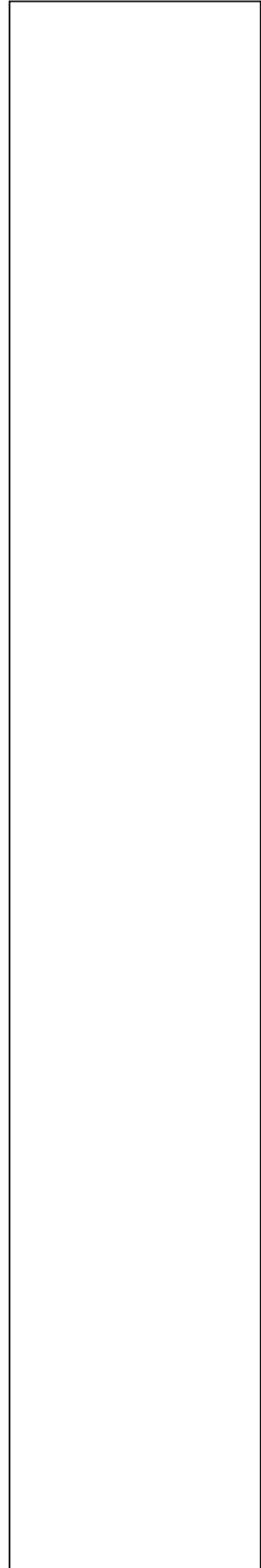
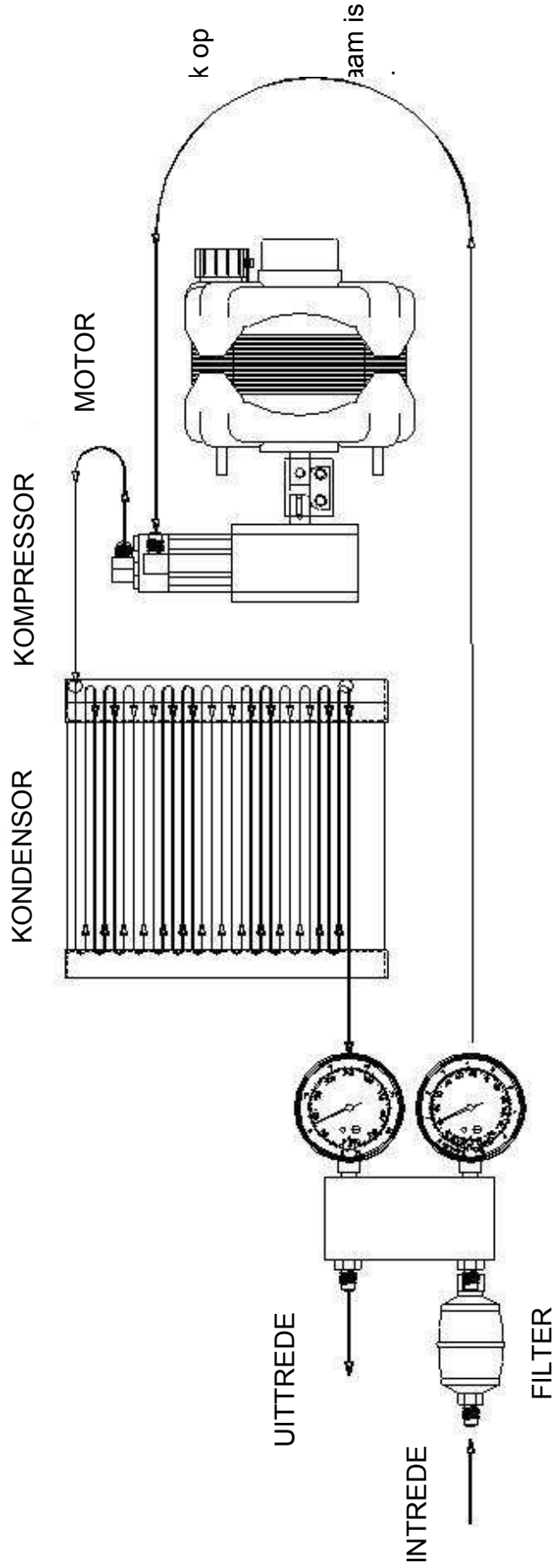
ONDERDELEN RG5410A-E

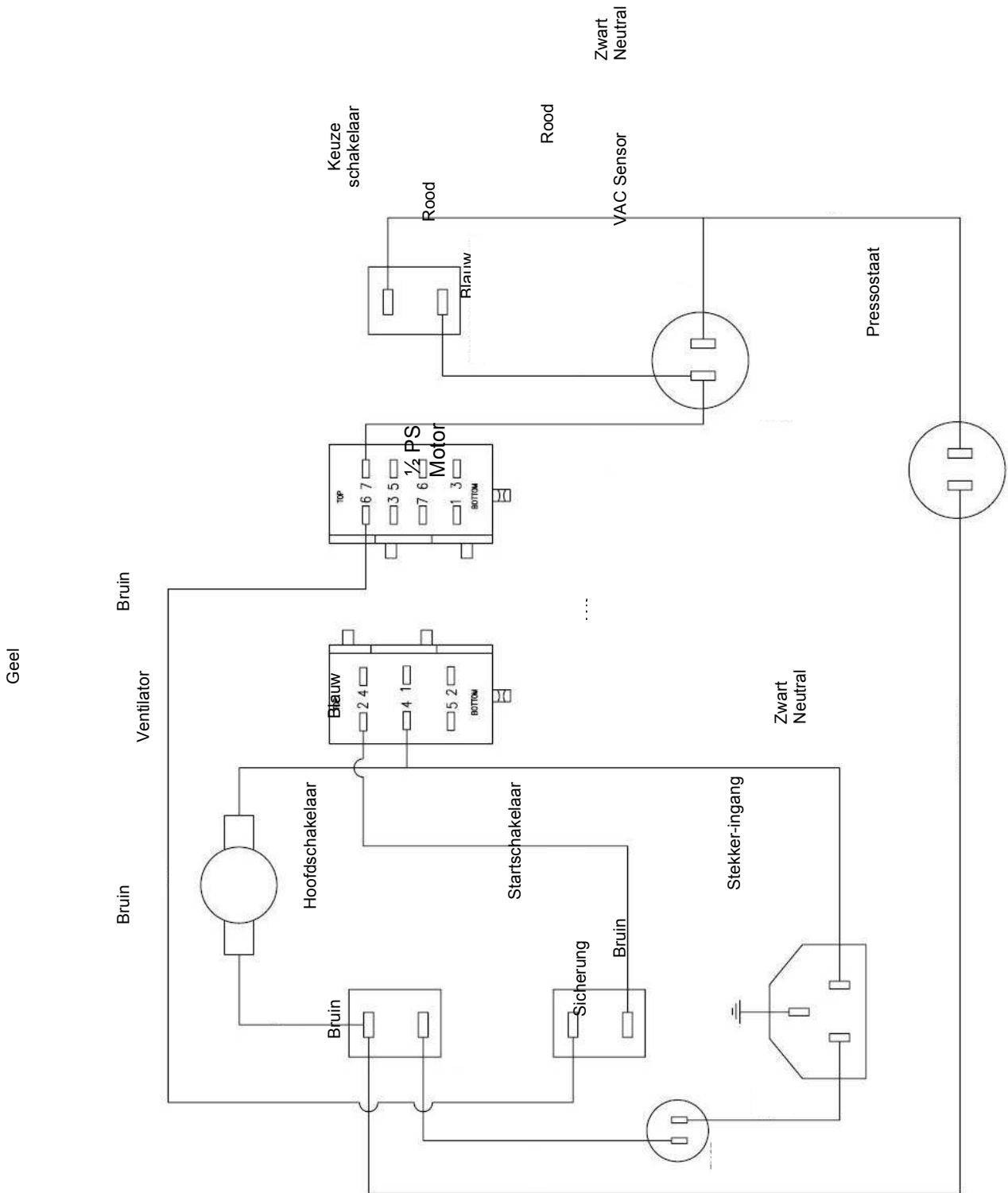
Pos.	Omschrijving	Part nr.
1	Kunstofbehuizing	100134
2	Luchtrooster	100505
3	Ventilator	AL181E
4	Kondensor	AGD120
5	Motor	EL182Z
6	K	CP131E
7	A	CP100
8	C	CP132I
9	S	T00-208
10	Ir	EA150
11	U	EA080
12	V	EA100
13	H	EL131C
14	S	EL130E
15	Ir	100123
16	U	100124
17	P	100122
18	P	110-20
19	F	100343
20	E	NB650
21	N	135-20
22	P	E02802
23	A	100318
24	K	105-20
25	C	100207
26	M	536895
27	S	100345
28	Z	100419
29	V	113726

RG5410A-E



KOELTECHNISCHE LEIDINGSHEMA





VEILIGHEIDSDRUKSCHAKELAAR (MET HAND RESET)

De RG5410A-E is uitgerust met een interne veiligheidsdrukschakelaar. Als de druk binnen de installatie de 38,5 bar bereikt, wordt de installatie automatisch uitgeschakeld. Wanneer de veiligheidsdrukschakelaar automatisch is geactiveerd tijdens het vullen van een cilinder kan dat veroorzaakt zijn doordat de cilinder vol is.

Dit is een erg gevaarlijke situatie. U moet onmiddellijk stappen ondernemen om de overdruk en/of de overvulling van de cilinder te verminderen.

Wanneer de veiligheidsdrukschakelaar de installatie uitschakeld...

De volgende voorzorgmaatregelen moeten genomen worden als de veiligheidsdrukschakelaar is geactiveerd:

a) Mogelijk te volle retour cilinder

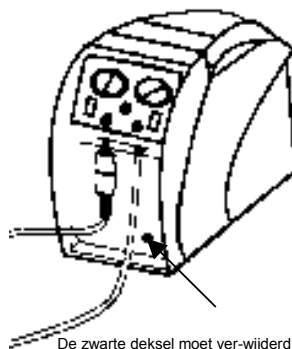
Sluit de retour cilinder aan een andere cilinder met extra capaciteit, zodat de druk verminderd wordt tot een veilig niveau. Deze handeling zal ook de druk reduceren in de uittrede van de RG5410A-E. Ga door als normaal na resetten van de veiligheidsdrukschakelaar (zie onder).

b) De oorzaak van het activeren van de veiligheidsdrukschakelaar onbekend

- 1) Kijk of de retour cilinder niet overvuld is.
- 2) Sluit de installatie- en de retour cilinder afsluiters en de afsluiters van de RG540A-E.
- 3) Ontkoppel de RG5410A-E van de flexibele leidingen.
- 4) Schakel de RG5410A-E van de stroomtoevoer af.
- 5) Open de in- uittrede afsluiters heel langzaam.
- 6) Onderzoek de oorzaak van de storing.

Eenmaal geactiveerd moet de veiligheidsdrukschakelaar handmatig als volgt worden gereset:

- I) Verwijder de zwarte beschermdeksel om bij de resetknop te kunnen komen (zie afbeelding beneden).
- II) Reset door op de resetknop te drukken door hiervoor bijvoorbeeld een schroevendraaier te gebruiken.
- III) Plaats het deksel weer terug.



De zwarte deksel moet verwijderd worden om de veiligheidsdrukschakelaar te resetten.

BELANGRIJK ONDERHOUD VAN DE RG5410A-E

Een filter moet altijd aan de intrede gebruikt worden en afhankelijk van het gebruik van de unit regelmatig vervangen worden. Indien dit niet gebeurt vervalt de aanspraak op garantie. Het gebruik van de filter is om te voorkomen, dat vaste deeltjes in de unit terecht komen.

Speciale aandacht m.b.t. het gebruik van een filter is noodzakelijk wanneer de unit een installatie moet afpompen, waar een "burn-out" heeft plaatsgevonden. Advies in dit geval is om twee filterdrogers in serie te gebruiken. Verstandig is het om bij elk nieuw afpompproces een nieuw filterdroger toe te passen. Indien het afgepompte koudemiddel geschikt is om opnieuw gebruikt te worden is het raadzaam een filterdroger te gebruiken specifiek voor dit koudemiddel.

Gebruik de unit niet in de buurt van open vaten met brandbare vloeistoffen of in een omgeving met explosieve gassen.

Vermijd het gebruik van verlengsnoeren. Wanneer noodzakelijk gebruik een verlengsnoer met een minimum van 14 AWG en niet langer dan 7,5 mtr.. Het niet gebruiken van een verlengsnoer reduceert het risico van brand

Ledig de unit na een afpompproces altijd. Achtergebleven koudemiddel in de unit kan componenten in de unit beschadigen.

Wanneer de unit voor langere periode niet gebruikt wordt, is het aan te bevelen de unit geheel koudemiddel vrij te maken, te vacumeren en stikstof onder een kleine overdruk in de unit te brengen. Hierna de unit volledig af sluiten, inclusief de stofkappen.

Wanneer u enige vorm van werkzaamheden aan de RG5410A-E verricht, overtuigt u, ervan dat de unit niet is aangesloten op een spanningsbron.

TECHNISCHE SPECIFICATIES

RG5410A-E

Toepassing	Koudemiddel retourgas of verdamping.
Geschikte koudemiddel	R12, R22, R134A, R401A, R401B, R401C, R402A, R402B, R404A, R406A, R407A, R407B, R407C, R407D, R408A, R409A, R410A, R411A, R411B, R412A, R500, R502, R507, R509
Spanningsbron	230V/50Hz 1 fase
Stroom	380 W
Afmetingen	330 x 229 x 483 mm
Gewicht	14,5 kg
Omwentelingen	1437 rpm
Max werkdruk	38,5 bar
Sicherung	5x20, traag, 8A 250V
Veiligheids advies	Veiligheidsdrukschakelaar type P100DA Met handreset (38,5 bar)

ATTENTIE

De RG5410A-E mag niet gebruikt worden met ontvlambare gassen of met gassen die ammonia bevatten.

BEHULPZAME TIPS VOOR HET TERUGWINNEN VAN HET KOUEMIDDEL

Het terugwinnen van het koudemiddel is de laatste jaren vooruit gegaan. Op het eerste gezicht is het gewoon de werkwijze van, het koudemiddel uit de installatie nemen en het overdoen in een cilinder. Echter, deze simpele werkwijze kan erg snel een probleem worden als een paar punten over het hoofd worden gezien. Hier volgen enige tips en aanwijzingen welke wij de laatste jaren hebben verzameld, die U tijd kunnen besparen en de werkwijze makkelijker maken.

Ten eerste moet U het type koudemiddel en de hoeveelheid weten van de installatie die U behandelt.

Wanneer U vaststelt dat het een "burn-out" is, heeft U een speciale cilinder nodig, (een cilinder waar "burn-out" in heeft gezeten of andere niet geïdentificeerde gassen) en U moet extra filters voor deze terugwinning gebruiken.

Als, aan de andere kant, U weet dat het gas in de installatie betrekkelijk schoon of nieuw is, dan moet U een nieuwe cilinder gebruiken. Als u van plan bent om het koudemiddel terug te doen in de zelfde installatie nadat U de werkzaamheden heeft beëindigd of als het koudemiddel wordt hergebruikt, gebruik dan een cilinder waar hetzelfde koudemiddel in heeft gezeten. Waarschuwing over de EPA: wanneer U verschillende koudemiddelen gebruikt in onderhouds werk – als bewijs van Uw koudemiddel aankopen – en U bent alleen in het bezit van één cilinder, dan vraagt U om moeilijkheden. U wordt geadviseerd om op zijn minst één cilinder voor elke type koudemiddel dat U gebruikt en een extra cilinder voor burn-out en andere onbekende koudemiddelen te bezitten.

Vooruit plannen.

Het bekend zijn van de hoeveelheid koudemiddel is belangrijk voor het plannen van de vereiste opslag, als ook voor de planning van de werkelijke terugwinning. Bijvoorbeeld; bij elke installatie met meer dan 5 lbs. koudemiddel, is het aannemelijk dat deze secties heeft waar de vloeistof vast komt te zitten.

De oplossing voor een snelle terugwin procedure is, om de vloeistof als eerste er uit te krijgen, en dan het overige gas er uit te halen. Echter de meeste installaties zijn niet "terugwin vriendelijk". Dat is omdat zij geen intrede aansluitingen hebben op hun laagste punten. Als sommige units welke U in onderhoud heeft op onderhoudscontract zijn, zult U veel tijd besparen door intrede aansluitingen aan te brengen op alle laagste punten in de installatie, waar het aannemelijk is dat het vloeistof zich ophoopt. Omdat de meeste installaties deze aansluitingen niet hebben, moet U voorbereid zijn om de opeen gehoopte vloeistof, wanneer U het gevonden heeft, te verwarmen met een fohn. Een indicatie van opeen gehoopte vloeistof in de installatie is bevriezing of condensatie vorming op de leiding of componenten waar de vloeistof is opgehoopt. De opgehoopte vloeistof kan in een gebied zijn welke niet zichtbaar is. In alle gevallen veroorzaakt opgehoopte vloeistof in een installatie gedurende terugwinning het verminderen van het terugwinnings proces, ongeacht de grote of type van de machine.

Als U niet in staat bent de opgehoopte vloeistof te lokaliseren, maar U weet dat het er is omdat de terugwinning "eeuwig" duurt start de installatie compressor (als hij operationeel is) voor een paar seconden, Dit zal het koudemiddel in beweging brengen naar een ander gedeelte in het systeem.

SLANGEN EN AFSLUITERS

Slangen en Schrader afsluiters hebben een grote invloed op de afpompt snelheid. In het algemeen blijkt, hoe groter de slangen, hoe minder de weerstand op de stroming van het koudemiddel, hoe sneller de tijd. Veel leveranciers gebruiken nu 3/8" aansluitingen voor de intrede van de afpomp unit, ook als deze aansluitingen voortkomen van 1/4" fittingen. Schrader afsluiters moeten verwijderd worden van de aansluitingen voor een juiste afdichting. De meeste groothandelaren verkopen gereedschap om de ventielen te verwijderen, terwijl de aansluitingen gesloten blijven. De ventieldrukker, aan het einde van de slang, moet ook verwijderd worden. Deze twee werkzaamheden kunnen een klus van 20 minuten veranderen in één van vele uren, Dus overtuigt U ervan dat de Schrader afsluiters en de ventieldrukken verwijderd zijn voor elke afpomp klus. Een andere overweging met de slang is de kleine rubberen afdichting aan het einde van de slang welke een afdichting maakt met de flair fitting. Wij hebben deze afdichtingen zo vervormd gezien dat wanneer de slang is aangesloten op de flairfitting de vervorming feitelijk de aansluiting afdicht. Dit is waarschijnlijk nooit opgemerkt tijdens het inwerking zijn, omdat de druk de vervorming opent, maar tijdens terugwinning (of met afzuiging) De vervorming beperkt erg de stroom van het koudemiddel.

Koudemiddel terugwinnen

In de huidige voorschriften staat dat gebruikte koudemiddelen niet verkocht mogen worden, of gebruikt in een andere installatie, tenzij het koudemiddel is geanalyseerd in een laboratorium en voldoet aan de normen van ARI 700 (laatste editie). Gevolg, hergebruik van verifiëren van de ARI 700 overeenkomst, is in de meeste gevallen niet economisch gerechtvaardigd. Het is nog altijd een goed idee om zo veel mogelijk schoongemaakte koudemiddel terug te brengen in de zelfde installatie (of andere installaties). Wij bevelen aan om de grootste, hoogste zuurgraad capaciteit filter te gebruiken welke economisch geschikt is. Zet deze filters op de zuig- of intrede zijde van de terugwin unit. Verwissel regelmatig de filters.

Het terugwinnen van grotere hoeveelheden van vloeibaar koudemiddel kan soms gepaard gaan met grote hoeveelheden olie, als in de installatie welke behandeld wordt geen adequate olie afscheider is geïnstalleerd. Als deze teruggewonnen koudemiddel niet vloeibaar teruggaat in de zelfde installatie, moet U het koudemiddel scheiden van de olie, om de olie te meten. (om te weten hoeveel olie terug gaat in de installatie.) Echter koudemiddel terugzonden voor "reclaim" hoeft de olie niet verwijderd te hebben., Een van de simpelste en meest kostwinnende manieren om dit te bereiken is om een 30 of 50 lb cilinder te gebruiken welke overeenkomt met Uw terugwin machine. Sluit de installatie aan op de vloeistofaansluiting van de cilinder, dan van de gas aansluiting van de cilinder aangesloten op de intrede van Uw terugwin unit. Een tweede cilinder voor opslag van het koudemiddel moet dan aangesloten worden op de uittrede van de terugwin unit. Als U grote hoeveelheden vloeistof aantreft, moet U een verwarmingsband rond de eerste cilinder aanbrengen.

Wanneer de terugwin werkzaamheden zijn voltooid kan de olie worden verwijderd van de eerste cilinder, door toepassing van een kleine hoeveelheid druk, gebruik stikstof. Op een van de aansluitingen en pers de olie uit de andere. Als U de olie gaat verwijderen van de gasaansluiting moet U de cilinder onderste boven keren. Draag altijd een veiligheidsbril bij deze handelingen, omdat de olie verzuurd kan zijn en ernstige verbranding kan veroorzaken.

HET VUIL BUITENHOUDEN

Gedurende het terugwin proces kan uw terugwin unit blootgesteld worden aan resten, welke mogelijk deze kan beschadigen. Inclusief soldeerresten, koper en bronsdeeltjes. Verder kan vervuiling worden gereduceerd door de koudemiddel opslag cilinder. Om de duurzaamheid van uw terugwin unit te verlengen gebruik altijd een intrede filter. Wanneer U een installatie vult vanuit een terugwin cilinder, is het een goed idee om een intrede filter te gebruiken om de installatie te beschermen tegen vervuiling. Nogmaals, vervang uw intrede filters regelmatig.

De vloeistof eruit krijgen. (zie Push/pull methode).

Push-pull is een methode om grote hoeveelheden vloeistof uit een installatie te verwijderen, gebruikmakend van de drukverschillen gecreëerd door de terugwin unit. Push-pull wil in het algemeen niet werken op kleinere installaties, omdat er geen grote massa vloeistof tank is om een heveling te creëren. Push-pull wordt meestal gebruikt in installaties met een opvang cilinder of installaties met meer dan 20 lbs koudemiddel of wanneer overgebracht van de ene cilinder naar de andere. De hoogte van vloeistof overbrengen hangt heel erg af van de maat van de slang, grotere slangen zorgen voor een veel betere doorgang.

Een andere manier is om de cilinder te koelen, als het gedeeltelijk gevuld is, voor of tijdens de terugwinning. Deze werkwijze zal de druk in de opslag cilinder verminderen en derhalve de terugwinning versnellen. Er moet minimaal 5 lbs vloeibare koudemiddel in de cilinder zijn welke U wilt koelen. Deze werkwijze kan voor of tijdens de terugwinning geschieden. Zie de twee opgezette diagrammen en procedures op pagina 8 van deze handleiding.

Er gebeuren geen wonderen hier, U gebruikt eenvoudig de unit als koeler terwijl de cilinder de verdamper is. Door de uitrede afsluiter te smoren, creëer U uiteindelijk een capillaire leiding of een expansie apparaat, maar U moet de tegendruk instellen op de condities en het koudemiddel aan te passen. Vijf tot tien minuten koeling kan resulteren in een forse afkoeling van de tank, afhankelijk van de conditie. Als er geen enkele condensatie in de cilinder is zal deze werkwijze niet werken. Dus hoe groter de hoeveelheid koudemiddel in de cilinder, hoe langer de werkwijze zal duren.

MOGELIJKE STORINGEN

Veiligheid boven alles

Lees en begrijp alle veiligheidsinformatie in dit gebruikershandboek voordat u de unit gebruikt.

