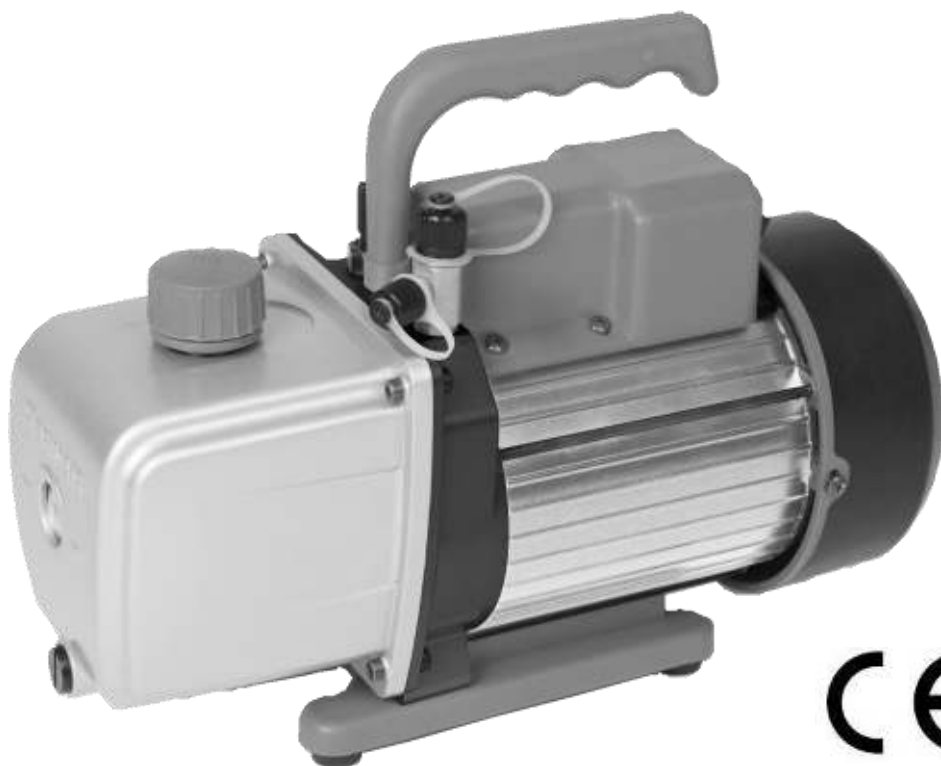


ROBINAIR®

VACUUM PUMP · VAKUUMPUMPEN



OPERATING MANUAL BENUTZERHANDBUCH

RA15301A-E · RA15501A-E · RA15501A-E-A2L · RA15801A-E



Declaration of Conformity

We herewith declare that the following machines comply with the appropriate basic safety and health requirements of the EC Directive based on its design and type, as brought into circulation by us.

Description:

Deep Vacuum Pump

Model Numbers:

RA15301A-E, RA15501A-E, RA15801A-E, RA15501A-E-A2L

Brand:

Robinair VacuMaster

Company:

Bosch Automotive Service Solutions GmbH

Lürriper Straße 62 · 41065 Mönchengladbach · Germany

Applicable EC Directives:

EC-Machinery directive 2006/42/EC

EC- Low voltage directive 2014/35/EU

EC-EMC 2004/108/EC

Applicable Harmonized Standards:

EN 1012-2:1996/A1:2009

Authorized Signature:

Andre Meiners

Operations Manager

SAFETY PRECAUTIONS



WARNING! TO PREVENT PERSONAL INJURY.



Wear goggles when working with refrigerants.
Contact with refrigerants may cause injury.



Incorrect use or connections may cause electrical shock hazards. Read and follow the instructions carefully, and take precautions to avoid electrical shock hazards. **This device MUST be properly grounded to avoid electric shock. Do not defeat grounding connections and connect only to outlets with a ground connection.** Confirm that all associated devices are grounded correctly before energizing circuits.



Normal operating temperature will cause certain external portions of the pump to be hot to the touch. Do not touch the pump housing or motor during operation.



PLEASE NOTE that model RA15501A-E-A2L is suitable for use on systems intended for Class A2L refrigerants such as R32, HFO1234yf, HFO1234ze or R143a. **However, if ANY unit is used to service such systems it must ONLY be operated by authorized personnel with proper and specific training in the use and handling of these refrigerants.**

The unit is NOT for use in hazardous/explosive environments. It must be ensured prior to use that the operating environment is free of hazardous concentrations of gases/vapors/dusts and/or fibers. We advise the use of an appropriate leak detector or measuring device to ensure the safety of the working environment.



For use on A/C-R systems using CFCs, HCFCs, HFCs and HFOs in conjunction with mineral oil, ester oil, alkylbenzene oil, and PAG oil as lubricants.

Not for use with ammonia or lithium bromide systems.
Not for use with flammable (e.g. Class A3) refrigerants.

Bosch Automotive Service Solutions GmbH declines all responsibilities or claims when our products are used improperly or not according all recommended/mentioned guidelines.

VACUMASTER® HIGH PERFORMANCE VACUUM PUMPS

Congratulations on purchasing one of Robinair's top quality VacuMaster® vacuum pumps. Your pump has been engineered specifically for air conditioning and refrigeration service, and is built for fast, thorough evacuation.

KEY FEATURES

High Vacuum Rating

The two-stage rotary vane design provides powerful, quiet, high vacuum capability and ensures moisture removal, while the high pumping capacity reduces evacuation time.

Gas Ballast

Allows a precise amount of atmospheric air to be introduced into the pump, preventing condensation of moisture vapor; thereby helping to maintain the purity of the pump oil. By using the gas ballast the pump operates more efficiently and pump life is extended.

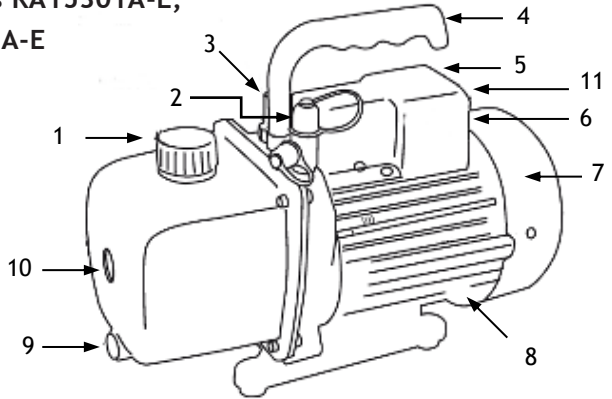
Sure-Grip Handle

The one-piece, molded handle makes it easy to carry the pump to and from job sites, and the handle stays cool to the touch during operation.

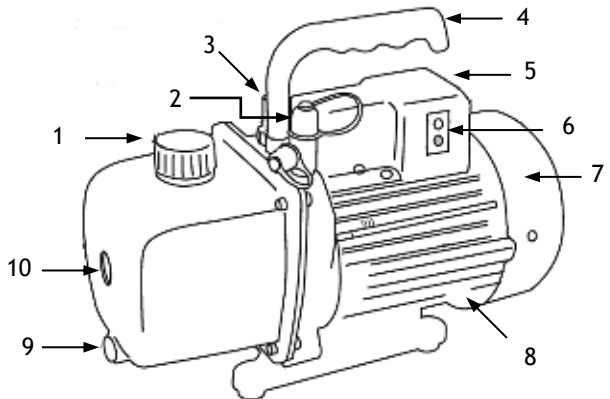
Compact & Lightweight Design

Aluminium housing and rotary vanes keep the pump weight low, making it easy to carry.

**PUMP DIAGRAM - Models RA15301A-E,
RA15501A-E & RA15801A-E**



**PUMP DIAGRAM - Model
RA15501A-E-A2L**



1) Exhaust Fitting

2) Inlet Port

3) Gas Ballast

4) Handle

5) Power Cord Connector¹

6) Power Switch²

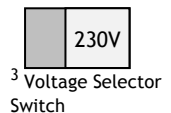
7) Fan Cover

8) Motor

9) Oil Drain

10) Sightglass

11) Voltage Selector Switch³



¹ IEC Electrical Connector on back of Electrical Box

² For Models RA15301A-E, RA15501A-E and RA15801A-E Rocker switch is located on back of Electrical Box next to IEC Connector. For Model RA15501A-E-A2L Electronic switch as shown

³ Only for Models RA15301A-E, RA15501A-E and RA15801A-E; located on back of electrical box

BEFORE USING YOUR VACUUM PUMP

Note about Motor Voltage Connections:

In all cases, motors are designed for operating voltages plus or minus 10% of the normal rating (see Pump Specifications).

1. For models RA15301A-E, RA15501A-E and RA15801A-E you can select between operation on 120 V AC or 230 V AC. Choose the appropriate voltage by moving the selector switch on the back of the electrical box with a screwdriver.
2. Confirm that the voltage and frequency at the outlet match the specifications on the pump motor decal and selector switch position!
3. The pump is shipped without oil in the reservoir. Before starting the pump, fill it with oil. Remove the EXHAUST FITTING, and add oil until oil appears in the bottom of the sight glass. For oil capacities, refer to Pump Specifications in this manual.
4. Replace the EXHAUST FITTING, and remove the cap from one of the inlet ports.
5. Switch ON the power (model RA15501A-E-A2L has an electronic switch, all others use a mechanical switch).
6. When the pump runs smoothly, replace the cap on the inlet port. This may take from two to 30 seconds, depending on the ambient temperature.
7. After the pump has run for approximately one minute, check the sight glass for the correct oil level - oil should be even with the sight glass OIL LEVEL line.
8. With the pump off, add oil if necessary.

Note: When the pump is running, the oil level should be even with the line on the sight glass. Under filling the pump will result in poor vacuum performance; overfilling can result in oil blowing from the exhaust.

Your pump is now ready to evacuate air conditioning and refrigeration systems. Follow normal service procedures and the A/C-R manufacturer's instructions for connections to the system.

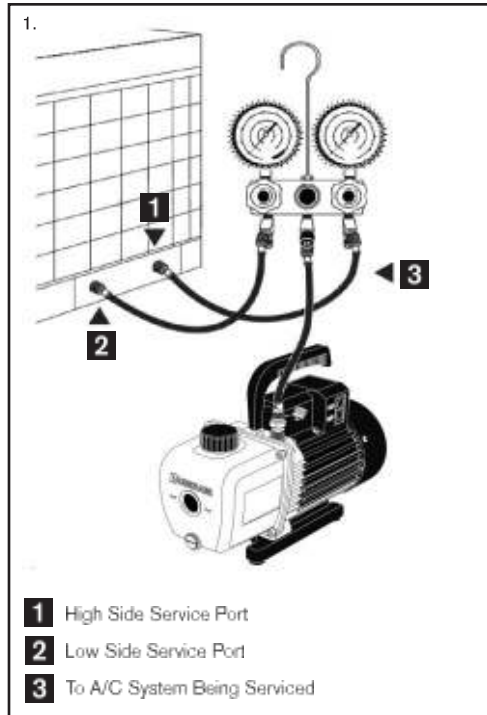
CAUTION: Before connecting your vacuum pump to an A/C-R system, remove refrigerant from the system with an approved recovery device. Damage to the pump may occur if evacuation is started while the system is under high pressure. Robinair recommends the use of its Promax brand Refrigerant Recovery and Recycling equipment.

EVACUATING A SYSTEM

Refer to Figure 1 for connections.

1. The larger diameter a hose used, the faster the evacuation process will be. Your Robinair pump is equipped with a 3/8" SAE MFL inlet port and it is recommended to use a 3/8" hose if possible. Alternatively a standard 1/4" hose may be used but will increase evacuation times.

2. Connect the vacuum pump via a manifold gauge set to the empty (0 Bar gauge pressure) A/C-R system. This will permit evacuation through both High and Low side service ports, resulting in a more efficient process. The additional connection in line of a separate high vacuum gauge (e.g. Robinair VG-1) will provide for more accurate measurement of the evacuation process.



3. Open all manifold valves and system service valves, if applicable.

4. Switch ON the vacuum pump. Operate the Gas Ballast valve as described below in order to maximize pump performance and reduce pump oil contamination.

5. Run the vacuum pump until desired vacuum level is reached. Proper evacuation of a system is based solely on ultimate absolute pressure readings, not time! Ambient temperature will affect the target micron reading to ensure boiling of all moisture within the system. EN standards call for reaching and maintaining a minimum internal vacuum reading of 275 m Torr absolute.

TO USE THE GAS BALLAST FEATURE

Moisture from the A/C-R system that is carried into the pump as a vapor tends to condense into a liquid and combine with the vacuum pump oil. When moisture contaminates the pump oil, it reduces the pump's ability to reach its ultimate deep vacuum level.

The gas ballast valve purges a small amount of atmospheric air through the exhaust chamber. This extra volume of air mixes with the vapor from the refrigerant system to prevent condensation and to help exhaust moisture in the form of vapor from the pump.

The gas ballast valve is located beside the handle, opposite the inlet fitting. To use the gas ballast, start the pump and open the gas ballast valve until the system has reached 1000-3000 microns. Close the valve to allow the pump to pull down to its ultimate vacuum level.

The gas ballast valve may be opened or closed at any time during pump operation. Note that the ultimate micron rating of the pump will only be reached when the Gas Ballast Valve is fully closed.

TO SHUT DOWN THE PUMP AFTER USE

To help prolong pump life and promote easy starting, follow these procedures for shutdown:

1. Close the manifold valve between the pump and the system.
2. Remove the hose from the pump inlet.
3. Switch the pump OFF.
4. Cap the inlet port to prevent any contamination or loose particles from entering the port.

TO MAINTAIN YOUR VACUUM PUMP

VACUUM PUMP OIL

For maximum performance, Robinair recommends changing vacuum pump oil after each use.

The condition and type of oil used in any high vacuum pump are extremely important in determining the ultimate attainable vacuum. Robinair recommends the use of its Premium High Vacuum Pump Oil. This oil has been specifically blended to maintain maximum viscosity at normal running temperatures and to improve cold weather starts.

Robinair Premium High Vacuum Pump Oil is available in several sized containers.

Order by part number:

RA13119 - Pint (shipped 12 pints per case)

RA13203 - Quart (shipped 12 quarts per case)

RA13204 - Gallon (shipped 4 gallons per case)

OIL CHANGE PROCEDURE

Run the pump for approximately one minute to warm the oil.

1. Place a suitable container under the front of the pump below the drain fitting (see Pump Components diagram on page 3).
2. Remove EXHAUST FITTING. Remove the OIL DRAIN fitting. Drain contaminated oil into a suitable container, and dispose of it according to appropriate regulations. Oil can be forced from the pump by opening the inlet and partially blocking the exhaust with a cloth while the pump is running. Do not operate the pump for more than 20 seconds using this method.
3. When the flow of oil has stopped, tilt the pump forward to drain any remaining residual oil.
4. Replace the OIL DRAIN fitting.
5. Fill the reservoir with new vacuum pump oil until the oil appears at the bottom of the sight glass. For oil capacities, refer to Pump Specifications in this manual.
6. Verify the inlet ports are capped; then turn ON the pump. Allow it to run for one minute, and check the oil level. If the oil is below the sight glass OIL

LEVEL line, add oil slowly (with the pump running) until the oil reaches the OIL LEVEL line.

7. Replace the EXHAUST FITTING, and confirm the inlet is capped and the DRAIN fitting is tight.
8. If the oil is badly contaminated with sludge, you may need to force the oil from the pump reservoir. To do this, allow the pump to run until it is warmed up. While the pump is still running, place a suitable container beneath the drain fitting and carefully remove the oil drain cap. Slightly restrict the exhaust. This will backpressure the oil reservoir and forces the oil from it, carrying more contaminants. When the oil ceases to flow, turn off pump.
9. Repeat this procedure as required until the contamination is removed. Replace the OIL DRAIN cap, and refill the reservoir until the oil appears at the bottom of the sight glass (See Step 5).

CLEANING THE PUMP

Clean the pump with soap and water only. Do not use commercial cleaners that contain degreasing agents.

EXTENSION CORDS

Use only a 3-wire extension cord that has a grounding plug. Verify the extension cord is not damaged. When using an extension cord, use one that is heavy enough to carry the current the product draws. For lengths less than 8 m, use 18 AWG extension cords. An undersized cord results in a drop in line voltage, loss of power, and overheating.

TROUBLESHOOTING GUIDE

Your **VacuMaster®** pump has been designed for dependable use and long life. If something should go wrong, however, the following guide will help you get the pump back into service as quickly as possible.

If disassembly of the pump is required, check your warranty. Misuse or customer tampering that results in the pump being inoperable may void the Warranty.

Failure To Start

Check line voltage. Robinair **VacuMaster®** pumps are designed to start at $\pm 10\%$ line voltage (loaded) at 41 °F (5 °C). At extremes, however, switching between the start and run windings may occur.

Oil Leakage

Verify the oil is not a residual accumulation from spillage, etc. If leakage exists, the module cover gasket or shaft seal may need to be replaced. If leakage exists near the oil drain plug, you may need to reseal the plug using a commercial pipe thread sealer.

Failure To Pull A Good Vacuum

Confirm the vacuum gauge and all connections are in good condition and leak-free. You can confirm leakage by monitoring the vacuum with a micron gauge while applying vacuum pump oil at connections or suspected leak points. The vacuum will improve briefly while the oil is sealing the leak.

Verify the pump oil is clean. A badly contaminated pump may require several oil flushes. See **OIL CHANGE PROCEDURE**.

Note: Use only high vacuum pump oil such as Robinair's Premium High Vacuum Pump Oil. Other oils will prevent pull-down to a deep vacuum.

Verify the oil is at the correct level. For maximum pump operation, the oil must be even with the **OIL LEVEL** line on the sight glass when the pump is running. See **OIL CHANGE PROCEDURE**.

Do not overfill - operating temperatures will cause the oil to expand, so it will appear at a higher level than when the pump is not running. To check the oil level, start the pump with the inlet capped. Check the oil level in the sight glass. Add oil if necessary.

REPLACEMENT PARTS

Part No.	Description
RA-VPSP-01	Oil Drain Fitting, ALL models
RA-VPSP-02	Handle, ALL models
RA-VPSP-03	Electrical Box with Capacitor, IEC connector and Switch for RA15301A-E, 15501A-E & 15801A-E
RA-VPSP-04	Electrical Box with Capacitor, Electronics, IEC connector and Switch for RA15501A-E-A2L
RA-VPSP-05	Exhaust/Oil Fill Fitting, ALL models
RA-VPSP-06	Baseplate Assembly, ALL models
RA-VPSP-07	Fan Cover for RA15301A-E, 15501A-E & 15501A-E-A2L
RA-VPSP-08	Fan Cover for RA15801A-E
RA-VPSP-09	Oil Reservoir housing complete with sight-glass and seal for RA15301A-E, 15501A-E & 15501A-E-A2L
RA-VPSP-10	Oil Reservoir housing complete with sight-glass and seal for RA15801A-E
RA-VPSP-11	Gas Ballast Valve and Lock nut, ALL models

ROBINAIR LIMITED WARRANTY STATEMENT

This product is warranted to be free from defects in workmanship, materials, and components for a period of one year from date of purchase. All parts and labor required to repair defective products covered under the warranty will be at no charge. The following restrictions apply:

1. The limited warranty applies to the original purchaser only.
2. The warranty applies to the product in normal usage situations only, as described in the Operating Manual. The product must be serviced and maintained as specified.
3. If the product fails, it will be repaired or replaced at the option of the manufacturer.
4. Transportation charges for warranty service are not covered.
5. Warranty service claims are subject to authorized inspection for product defect(s).
6. The manufacturer shall not be responsible for any additional costs associated with a product failure including, but not limited to, loss of work time, loss of refrigerant, and unauthorized shipping and/or labor charges.
7. All warranty service claims must be made within the specified warranty period. Proof-of-purchase date must be supplied to the manufacturer.

OUT OF WARRANTY

This Limited Warranty does **NOT** apply if:

- The product, or product part, is broken by accident.
- The product is misused, tampered with, or modified.

VACUMASTER® 2-STAGE PUMP SPECIFICATIONS

	15301A-E	15501A-E
Voltage	120 / 230 V - 50 Hz	120 / 230 V - 50 Hz
Free Air Displacement	84 l/min	128 l/min
Ultimate Vacuum	15 microns (2 Pa)	15 microns (2 Pa)
Stages	2	2
Motor	450 W	500 W
Intake Ports	1/4" & 3/8" Flare	1/4" & 3/8" Flare
Oil Capacity	450 ml	500 ml
Power Cord Length	1.8 m	1.8 m
Dimensions	335 x 140 x 255 mm	335 x 140 x 255 mm
Net Weight	9.5 kg	10.2 kg

	15801A-E	15501A-E-A2L
Voltage	120 / 230 V - 50 Hz	230 V - 50 Hz
Free Air Displacement	226 l/min	128 l/min
Ultimate Vacuum	15 microns (2 Pa)	15 microns (2 Pa)
Stages	2	2
Motor	650 W	500 W
Intake Ports	1/4" & 3/8" Flare	1/4" & 3/8" Flare
Oil Capacity	700 ml	500 ml
Power Cord Length	1.82 m	1.8 m
Dimensions	376 x 157 x 270 mm	335 x 140 x 255 mm
Net Weight	13.9 kg	10.2 kg



EG-Konformitätserklärung

Hiermit erklären wir, Daß die nachfolgend bezeichnete Maschine aufgrund ihrer Konzipierung und Bauart sowie in der von uns in Verkehr gebrachten Ausführung den einschlägigen grundlegenden Sicherheits- und Gesundheitsanforderungen der EG-Richtlinien entspricht

Modelle:

RA15301A-E, RA15501A-E, RA15801A-E, RA15501A-E-A2L

Marke:

Robinair VacuMaster

Firma:

Bosch Automotive Service Solutions GmbH

Einschlägige EG-Richtlinien:

EG-Maschinenrichtlinie 2006/42/EG

EG-Niederspannungsrichtlinie 2014/35/EU

EG-EMC 2004/108/EG

Angewandte harmonisierte Normen:

EN 1012-2:1996/A1:2009

SICHERHEITSMASSNAHMEN



ACHTUNG!

Um Personenschäden zu verhindern.



Schutzbrille tragen, wenn Sie mit Kältemitteln arbeiten. Kontakt mit Kältemitteln kann zu Verletzungen führen.



Die unsachgemäße Benutzung oder falsches Anschließen können zu Stromschlägen führen. Lesen und befolgen Sie die Anweisungen sorgfältig und treffen Sie Vorkehrungen, um Stromschläge zu vermeiden. **Dieses Gerät muss ORDNUNGSGEMÄSS geerdet sein, um Stromschläge zu vermeiden. Nicht die Erdung entfernen und nur an vorgesehene Steckdosen mit Erdung verbinden.** Stellen Sie sicher, dass alle verbundenen Geräte ordnungsgemäss geerdet sind, bevor Sie Geräte einschalten.



Die normale Betriebstemperatur führt dazu, dass bestimmte äussere Teile der Pumpe heiss werden können. Nicht das Pumpengehäuse oder den Motor während des Betriebs berühren.



Bitte beachten Sie: Nur das Model RA15501A-E-A2L ist geeignet für die Evakuierung von Anlagen, welche Kältemittel der Klasse A2L (wie z. B. R32, HFO1234yf, HFO1234ze oder R143a) beinhalten. **Auf jeden Fall muss sichergestellt sein, dass jedes Gerät, welches zur Wartung einer Anlage eingesetzt wird, nur von autorisiertem Personal mit der richtigen und spezifischen Ausbildung in Gebrauch und Umgang mit diesen Kältemitteln betrieben wird.** Das Gerät darf NICHT in gefährlichen / explosionsgefährdeten Umgebungen betrieben werden. Es muss vor der Verwendung gewährleistet sein, dass die Betriebsumgebung frei von gefährlichen Gaskonzentrationen, Dämpfen, Stäuben und/oder Fasern ist. Wir empfehlen die Verwendung eines geeigneten Lecksuchgerätes (z. B. TIF 8900) oder eines Messgerätes, um sicherzustellen, dass die Sicherheit der Arbeitsumgebung gewährleistet ist.



Für den Einsatz an Kälteanlagen mit FCKW, HFCKW, HFKW und HFO-Kältemittel in Verbindung mit Mineralöl, Esteröl, Alkylbenzol-Öl und PAG-Öl als Schmiermittel.

Nicht für den Einsatz mit Ammoniak oder Lithiumbromid-Anlagen. Nicht für Verwendung mit brennbaren Kältemitteln (zum Beispiel Klasse A3).

Bosch Automotive Service Solutions GmbH übernimmt keinerlei Haftung oder Forderungen, wenn unsere Produkte nicht ordnungsgemäss oder nicht entsprechend aller empfohlenen/genannten Richtlinien verwendet werden.

VACUMASTER® HOCHLEISTUNGS-VAKUUMPUMPEN

Herzlichen Glückwunsch zu dem Kauf der hochwertigen Robinair **VacuMaster®** Vakuumpumpe von Robinair. Ihre Pumpe wurde speziell für den Service von Kälte- und Klimaanlageanlagen entwickelt und gewährleistet eine schnelle und gründliche Evakuierung.

HAUPTMERKMALE

Hochqualitatives Vakuum

Die zweistufige Drehschieber-Konstruktion bietet eine starke, geräuscharme und hohe Leistungsfähigkeit bezogen auf das zu erzeugende Vakuum und gewährleistet ein Entfernen der Feuchtigkeit aus der Anlage, während die hohe Förderleistung die Evakuierzeit reduziert.

Gasballast

Erlaubt einer definierten Menge von Umgebungsluft ein Eindringen in die Pumpe, um die Kondensation von Wasserdampf zu verhindern. Hierdurch wird die Haltbarkeit des Öls verlängert, indem die Reinheit erhalten bleibt. Durch die Verwendung des Gasballasts arbeitet die Pumpe effizienter und die Lebensdauer wird verlängert.

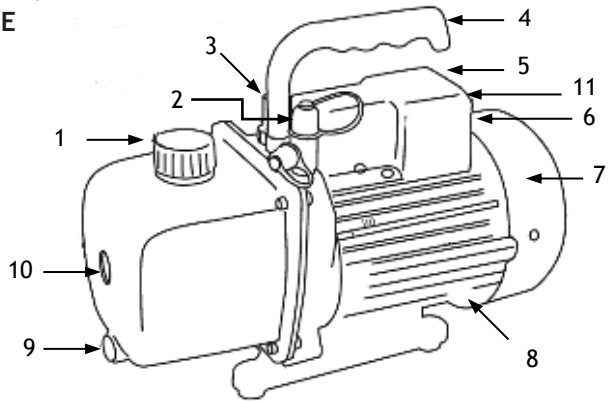
Handgriff für sicheren Halt

Der aus einem Teil geformte Griff macht es einfach, die Pumpe zum Anwendungsort zu tragen. Der Griff ist keiner Erwärmung ausgesetzt, während die Pumpe im Betrieb ist und bleibt auf Umgebungstemperatur.

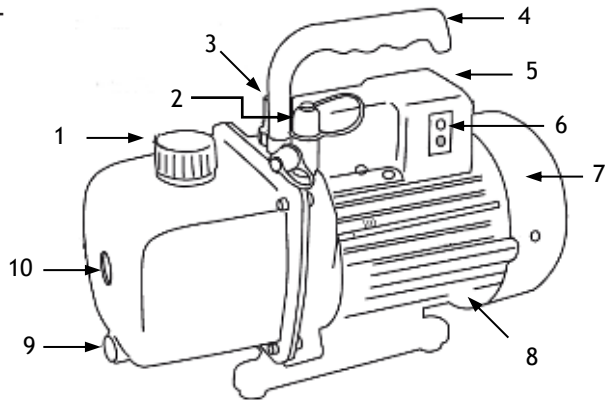
Kompakt- & Leichtbauweise

Aluminiumgehäuse und Drehschieber sorgen für ein geringes Gewicht der Pumpe und erleichtern das Transportieren.

**PUMPEN KOMPONENTEN - Modelle RA15301A-E
RA15501A-E RA15801A-E**



**PUMPEN KOMPONENTEN -
Modelle RA15801A-E-A2L**



1) Luftauslass

2) Einlassanschlüsse

3) Gasballast

4) Griff

5) Anschluss für Netzkabel¹

6) Ein-/Ausschalter²

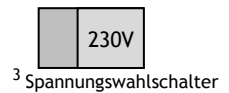
7) Lüfterhaube

8) Motor

9) Ölabblass

10) Öl-Schauglas

11) Spannungswahlschalter³



¹ IEC Stecker auf der Rückseite des Elektrokastens für Modelle RA15301A-E, RA15501A-E & RA15801A-E

² Auf der Rückseite des Elektrokastens der Modelle RA15301A-E, RA15501A-E & RA15801A-E; auf der linken Seiteder Box für RA15501A-E-A2L

³ nur bei Modell RA15301A-E, RA15501A-E und RA15801A-E verfügbar

BEVOR SIE IHRE VAKUUMPUMPE VERWENDEN

Anmerkung zum Spannungsanschluss Motor:

Alle Motoren sind auf Betriebsspannungen ausgelegt $\pm 10\%$ der normalen Angabe (siehe Spezifikationen Pumpe).

1. Für die Modelle RA15301A-E, RA15501A-E und RA15801A-E kann zwischen der Betriebsspannung 120 V AC oder 230 V AC ausgewählt werden. Wählen Sie die gewünschte Spannung am Auswahlschalter auf der Rückseite des Elektrokastens aus, indem Sie den Schalter mit Hilfe eines Schraubendrehers in die entsprechende Position bringen.
2. Stellen Sie sicher, dass die Spannung und Frequenz der Stromquelle mit den Spezifikationen auf dem Motor-Typenschild und der am Spannungsschalter ausgewählten Betriebsspannung übereinstimmen.
3. Die Pumpe wird ohne Öl im Behälter versandt. Bevor Sie die Pumpe starten, muss Öl eingefüllt werden. Entfernen Sie den Stutzen der Öleinfüllöffnung und geben Sie Öl hinein, bis man das Öl am Boden des Sichtfensters sieht. Für Ölmengen siehe Pumpenspezifikationen in dieser Anleitung.
4. Schliessen Sie die Öleinfüllung und entfernen Sie die Kappe des Einlassanschlusses.
5. Schalten Sie Power auf ON (Modell RA15501A-E-A2L hat einen elektronischen Schalter, alle anderen haben mechanische Schalter).
6. Wenn die Pumpe ruhig läuft, setzen Sie die Kappe auf den Einlassanschluss. Das kann zwei bis 30 Sekunden dauern, abhängig von der Umgebungstemperatur.
7. Nachdem die Pumpe ungefähr eine Minute gelaufen ist, überprüfen Sie am Öl-Schauglas den richtigen Ölstand – das Öl sollte bei dem Sichtfenster auf gleicher Höhe mit der Ölstandlinie sein.
8. Falls nicht, Pumpe abstellen und ggf. Ölnachfüllen.

Hinweis: Wenn die Pumpe läuft, sollte der Ölstand auf der Ölstandlinie des Sichtfenster sein. Zuwenig Öl in der Pumpe kann zu einer schlechteren Vakuumeistung führen, bei zuviel Öl kann es aus der Öleinfüllöffnung austreten.

Ihre Pumpe ist nun bereit, Klima- und Kälteanlagen zu evakuieren. Befolgen Sie die normalen Serviceprozeduren und die Herstellerangaben für das Anschließen an die Anlage.

VORSICHT: Bevor Sie Ihre Vakuumpumpe an eine Kälteanlage anschließen, entfernen Sie das Kältemittel aus dem System mit einer zugelassenen Rückgewinnungseinrichtung. Schäden an der Pumpe können auftreten, wenn die Evakuierung gestartet wird, während das System unter Hochdruck steht. Robinair empfiehlt die Verwendung einer Promax Kältemittelrückgewinnungs- und Recyclinggeräts.

EVAKUIEREN EINES SYSTEMS

Siehe Abbildung 1 für Verbindungen.

1. Je größer der Durchmesser eines verwendeten Schlauches, desto schneller ist der Evakuierungsvorgang abgeschlossen. Ihre Robinair Pumpe ist mit einem 3/8" SAE Anschluss ausgestattet und es wird empfohlen, einen 3/8" Schlauch nach Möglichkeit zu verwenden. Alternativ kann ein Standard 1/4" SAE Schlauch verwendet werden, allerdings steigt die Evakuierungszeit deutlich an.

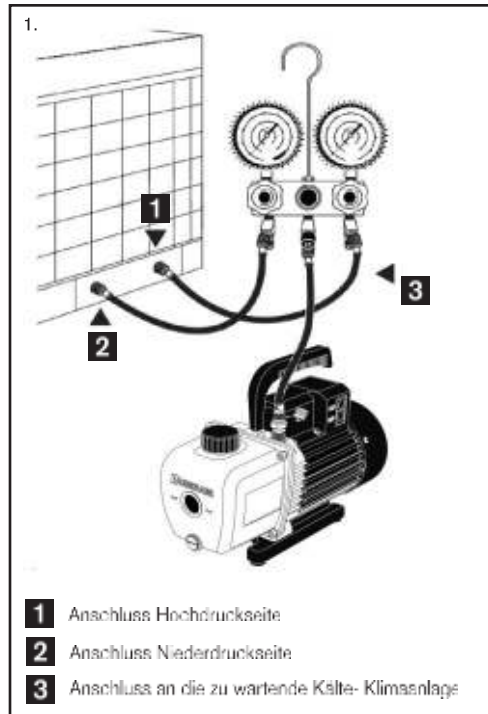
2. Schließen Sie die Vakuumpumpe über eine Monteurhilfe an die Kälteanlage an (0 bar Überdruck). Dies ermöglicht die Evakuierung über Hoch- und Niederdruckseite, was zu einem effizienterem Prozess führt.

Der zusätzliche Anschluss eines separaten Vakuum-Messgerätes (z. B. Robinair VG-1) kann für eine genauere Messung des Evakuierungsprozesses dienen und kann dazu geliefert werden.

3. Öffnen Sie alle Ventile der Monteurhilfe und ggf. der Anlage.

4. Schalten Sie die Vakuumpumpe ein. Verwenden Sie das Gasballastventil wie unten beschrieben, um die Pumpleistung zu maximieren und die Verschmutzung des Öls zu reduzieren.

5. Verwenden Sie die Vakuumpumpe, bis das gewünschte Vakuumniveau erreicht ist. Die richtige Evakuierung eines Systems basiert ausschließlich auf absolute Druckwerte in der Anlage, nicht Zeit! Die Umgebungstemperatur wirkt sich auf den Mikronwert aus und gewährleistet das Verdampfen der Feuchtigkeit. EN Normen verlangen das Erreichen und Beibehalten eines internen Druckniveaus von 275 m Torr absolut.



BENUTZEN DER GASBALLAST FUNKTION

Feuchtigkeit aus der Kälteanlage, die als Dampf in die Pumpe geführt wird, neigt zur Kondensation und verbindet sich mit dem Vakuumpumpenöl. Wenn Feuchtigkeit das Pumpenöl verunreinigt, reduziert dies die Fähigkeit der Pumpe, den bestmöglichen Vakuumwert zu erreichen.

Das Gasballastventil erlaubt einer definierten Menge von Umgebungsluft ein Eindringen in die Pumpe, um die Kondensation von Wasserdampf zu verhindern. Hierdurch wird die Haltbarkeit des Öls verlängert, indem die Reinheit erhalten bleibt. Durch die Verwendung des Gasballasts arbeitet die Pumpe effizienter und die Lebensdauer wird verlängert.

Das Gasballastventil befindet sich neben dem Griff gegenüber dem Einlassanschluss. Um das Gasballastventil zu verwenden, starten Sie die Pumpe und öffnen es, bis die Anlage einen Wert von 1000-3000 Mikron erreicht hat. Schließen Sie dann das Ventil der Pumpe, um das bestmögliche Vakuumniveau zu erreichen.

Das Gasballastventil kann jederzeit während des Pumpbetriebs geöffnet oder geschlossen werden.

Hinweis: Das tiefstmögliche Vakuum der Pumpe kann nur dann erreicht werden, wenn das Gasballastventil vollständig geschlossen ist.

ABSCHALTEN DER PUMPE NACHGEBRAUCH

Um die Lebensdauer der Pumpe zu verlängern und ein leichtes Starten zu ermöglichen, ist folgende Prozedur des Abschaltens sinnvoll:

1. Schließen Sie das Ventil der Monteurhilfe zwischen Pumpe und Anlage.
2. Entfernen Sie den Schlauch vom Pumpeneinlassanschluss.
3. Schalten Sie die Pumpe aus.
4. Verschließen Sie die Einlassanschlüsse, um Verschmutzung oder Eindringen von losen Schmutzpartikeln zu vermeiden.

WARTUNG UND PFLEGE DER HOCHVAKUUMPUMPE

VAKUUMPUMPENÖL

Für maximale Leistung empfiehlt Robinair den Wechsel des Pumpenöls nach jedem Gebrauch.

Die Zusammensetzung und der Typ des verwendeten Öls in der Hochleistungsvakuumpumpe sind sehr wichtig, um ein ultimatives Vakuum zu erreichen. Robinair empfiehlt das eigene Premium High Vacuum Pumpenöl. Dieses Öl wurde speziell hergestellt, um eine maximale Viskosität bei normalen Betriebstemperaturen beizubehalten und verbessert auch Kalt-Wetter-Starts.

Robinair Premium High Vacuum Pumpoil ist in verschiedenen Gebindegrößen erhältlich.

Bestellung mit Artikelnummer:

RA13119 - 0.475 l (16 oz) Flasche (12er Pack)

RA13203 - 0.95 l (32 oz) Flasche (12er Pack)

RA13204 - 3.8 l (128,5 oz) Flasche (4er Pack)

ÖLWECHSEL

Lassen Sie die Pumpe für etwa eine Minute laufen, damit das Öl warm wird.

1. Stellen Sie einen geeigneten Behälter unter die Frontseite der Pumpe bzw. unterhalb der Ölablassschraube (siehe Pumpendiagramm auf Seite 14).
2. Entfernen Sie den Luftauslass und die Ölablassschraube. Lassen Sie das verunreinigte Öl in den geeigneten Behälter ablaufen und entsorgen Sie es nach den geltenden Bestimmungen. Der Vorgang kann beschleunigt werden, wenn der Einlassanschluss geöffnet ist und Sie den Luftauslass mit einem Tuch blockieren, während die Pumpe läuft. Lassen Sie die Pumpe nicht länger als 20 Sekunden mit dieser Methode laufen.
3. Wenn der Ölfluss gestoppt hat, neigen Sie die Pumpe nach vorne, um das verbleibende Restöl abzulassen.
4. Ersetzen Sie die Ölablassschraube.
5. Füllen Sie den Behälter mit neuem Vakuumpumpenöl, bis das Öl am unteren Rand des Sichtfensters angezeigt wird. Für Ölmengen siehe Spezifikationen in diesem Handbuch.
6. Überprüfen Sie die Einlassanschlüsse auf Verschluss und schalten Sie die

Pumpe ein. Lassen Sie sie eine Minute laufen und prüfen Sie den Ölstand. Wenn das Öl im Sichtfenster unter der Ölstandlinie ist, fügen Sie Öl langsam (bei laufender Pumpe) zu, bis das Öl die Ölstandlinie erreicht hat.

7. Ersetzen Sie den Luftauslass und überprüfen Sie, ob die Einlassanschlüsse geschlossen sind und die Ölablassschraube dicht ist.
8. Wenn das Öl stark mit Schlamm verschmutzt ist, können Sie das Öl aus dem Pumpenbehälter drücken. Um dies zu tun, muss die Pumpe warmlaufen. Während die Pumpe noch läuft, stellen Sie einen geeigneten Behälter unter die Ablaufgarnitur und entfernen vorsichtig die Ölablassschraube. Drosseln Sie den Luftauslass. Dies erzeugt einen Gegendruck im Ölbehälter und drückt das Öl samt Verschmutzung heraus. Wenn das Öl zu fließen aufhört, schalten Sie die Pumpe ab.
9. Wiederholen Sie diesen Vorgang nach Bedarf, bis die Verunreinigungen entfernt sind. Ersetzen Sie die Ölablassschraube und füllen Sie den Behälter, bis das Öl am unteren Rand des Sichtfensters zu sehen ist (siehe Schritt 5).

REINIGUNG DER PUMPE

Reinigen Sie die Pumpe nur mit Seife und Wasser. Verwenden Sie keine Reinigungsmittel, die Entfettungsmittel enthalten.

VERLÄNGERUNGSKABEL

Verwenden Sie ein dreiadriges Verlängerungskabel, das eine Erdung hat. Stellen Sie sicher, dass das Verlängerungskabel nicht beschädigt ist. Wenn Sie ein Verlängerungskabel benutzen, verwenden sie eins, das für die Stromaufnahme der Pumpe geeignet ist. Bei Längen von weniger als 8 m verwenden Sie 18 AWG Kabel. Ein unterdimensioniertes Kabel kann zu Stromausfall, Leistungsverlust und Überhitzung führen.

FEHLERSUCHE

Ihre **VacuMaster®** Pumpe wurde für den zuverlässigen Einsatz mit langer Lebensdauer entwickelt. Wenn Fehler auftreten sollten, folgen Sie bitte folgender Anleitung, die Ihnen helfen wird, Ihre Pumpe so schnell wie möglich wieder in Betrieb zu nehmen.

Wenn eine Demontage der Pumpe erforderlich ist, überprüfen Sie bitte die Garantiebestimmungen. Zweckentfremdung oder Kundenmanipulationen, die dazu führen, dass die Pumpe funktionsunfähig ist, können zum Erlöschen der Garantie führen.

Startschwierigkeiten

Netzspannung überprüfen. Robinair **VacuMaster®** Pumpen sind darauf ausgelegt, bei $\pm 10\%$ der Netzspannung bei 41 °F (5 °C) zu starten. Im Extremfall können Wechsel zwischen Start- und Anlasswicklung auftreten.

Öl-Leck

Überprüfen Sie, dass das Öl nicht eine Restansammlung von verschüttetem Öl o.ä. ist. Falls ein Leck vorhanden ist, müssen u. U. Wellendichtung oder die Dichtung der Modulabdeckung ausgetauscht werden. Falls ein Leck in der Nähe der Ölabblassöffnung vorhanden ist, muss evtl. der Verschluss mit einem handelsüblichen Rohrgewindedichter wieder verschlossen werden.

Kein gutes Vakuum wird erzielt

Überprüfen Sie das Vakuummessgerät und alle Anschlüsse, ob sie im gutem Zustand und dicht sind. Sie können eine Leckage durch die Überwachung des Vakuums mit einem Vakuummessgerät feststellen, indem Sie Öl auf Verbindungen oder vermutete Leckstellen bringen. Das Vakuum wird sich kurz verbessern, weil das Öl das Leck abdichtet.

Überprüfen Sie, ob die Pumpe sauber ist. Eine stark verschmutzte Pumpe kann mehrere Ölspülungen erfordern. Siehe **ÖLWECHSEL**.

Hinweis: Verwenden Sie nur Hochvakuum pumpen-Öl wie Robinair Premium Hochvakuum pumpenöl. Andere Öle werden das Erreichen eines tiefen Vakuumniveaus verhindern.

Überprüfen Sie den korrekten Ölfüllstand. Für maximale Pumpenleistung muss das Öl auf der Ölstandlinie im Sichtfenster sein, wenn die Pumpe läuft. Siehe **ÖLWECHSEL**.

Nicht überfüllen - Betriebstemperaturen führen dazu, dass das Öl sich ausdehnt, so dass der Füllstand höher erscheint, als wenn die Pumpe nicht

läuft. Um den Ölstand zu überprüfen, starten Sie die Pumpe mit verschlossenen Einlassanschlüssen. Überprüfen Sie den Ölstand im Sichtfenster. Nach Bedarf Ölauffüllen.

ERSATZTEILE

Artikel Nummer Beschreibung

RA-VPSP-01	Ölablass-Schraube (für alle Modelle)
RA-VPSP-02	Griff (für alle Modelle)
RA-VPSP-03	Elektrokasten, IEC-Anschluss und Schalter für RA 15301A-E, 15501A-E & 15801A-E
RA-VPSP-04	Elektrokasten, IEC-Anschluss und Schalter für RA15501A-E-A2L
RA-VPSP-05	Öleinfüllkappe / Luftauslass (für alle Modelle)
RA-VPSP-06	Fußplatte, komplett (für alle Modelle)
RA-VPSP-07	Lüfter-Abdeckung für RA15301A-E, 15501A-E & 15501A-E-A2L
RA-VPSP-08	Lüfter-Abdeckung für RA15801A-E
RA-VPSP-09	Ölbehälter, komplett mit Sichtfenster und Dichtung für RA15301A-E, 15501A-E & 15501A-E-A2L
RA-VPSP-10	Ölbehälter, komplett mit Sichtfenster und Dichtung für RA15801A-E
RA-VPSP-11	Gasballastventil, komplett mit Verschlussmutter (für alle Modelle)

ROBINAIR GARANTIEBESTIMMUNGEN

Für dieses Produkt wird garantiert, dass es frei von Fehlern in der Verarbeitung, Materialien und Komponenten ist für einen Zeitraum von einem Jahr ab Kaufdatum. Alle Teile und Arbeitsgänge bei fehlerhaften Produkten, die durch die Garantie abgedeckt sind, werden kostenlos repariert. Es gelten folgende Einschränkungen:

1. Die eingeschränkte Garantie gilt nur für den ursprünglichen Käufer.
2. Die Garantie bezieht sich nur auf das Produkt im normalen Betriebsgebrauch, wie in der Betriebsanleitung beschrieben. Das Produkt muss wie angegeben gewartet und instandgehalten werden.
3. Falls das Produkt ausfällt, wird es repariert oder nach Wahl des Herstellers ersetzt.
4. Die Transportkosten für Garantieleistungen werden nicht erstattet.
5. Garantieansprüche unterliegen einer Untersuchung von autorisiertem Fachpersonal für Produktdefekte.
6. Der Hersteller haftet nicht für zusätzliche Kosten, die im Zusammenhang mit einem Produktversagen entstehen können, wie z. B. der Verlust von Arbeitszeit, Kältemittelverlust und nicht genehmigter Versand- und/oder Arbeitskosten etc.
7. Alle Garantieleistungsansprüche müssen innerhalb der angegebenen Garantiezeit angemeldet werden. Der Nachweis des Kaufdatums muss an den Hersteller geliefert werden.

GARANTIELEISTUNGEN ABGELAUFEN

Diese limitierte Garantie gilt **NICHT**, wenn:

- Das Produkt oder Produktteile durch einen Unfall zerbrochen wurden.
- Das Produkt zweckentfremdet, manipuliert oder verändert wurde.

VACUMASTER® 2-STUFIGE PUMPE - SPEZIFIKATIONEN

	15301A-E	15501A-E
Spannung	120 / 230 V - 50 Hz	120 / 230 V - 50 Hz
Saugleistung	84 l/min	128 l/min
Endvakuum	15 Mikron (2 Pa)	15 Mikron (2 Pa)
Saugstufen	2	2
Motorleistung	450 W	500 W
Sauganschlüsse	1/4" & 3/8" SAE MFL	1/4" & 3/8" SAE MFL
Ölfüllung	450 ml	500 ml
Stromkabellänge	1,8 m	1,8 m
Abmessungen	335 x 140 x 255 mm	335 x 140 x 255 mm
Nettogewicht	9,5 kg	10,2 kg

	15801A-E	15501A-E-A2L
Spannung	120 / 230 V - 50 Hz	230 V - 50 Hz
Saugleistung	226 l/min	128 l/min
Endvakuum	15 Mikron (2 Pa)	15 Mikron (2 Pa)
Saugstufen	2	2
Motorleistung	650 W	500 W
Sauganschlüsse	1/4" & 3/8" SAE MFL	1/4" & 3/8" SAE MFL
Ölfüllung	700 ml	500 ml
Stromkabellänge	1,82 m	1,8 m
Abmessungen	376 x 157 x 270 mm	335 x 140 x 255 mm
Nettogewicht	13,9 kg	10,2 kg

ROBINAIR®

Bosch Automotive Service Solutions GmbH
Lürriper Straße 62 · 41065 Mönchengladbach · Germany
Phone +49 (0) 2161 59906-0 · Fax +49 (0) 2161 59906-16
info@atp-europe.de · www.atp-europe.de

Due to ongoing product improvements, we reserve the right to change design, specifications, and materials without notice.

Aufgrund anhaltender Produktverbesserungen behalten wir uns das Recht vor, Aussehen, Spezifikationen und Materialien ohne vorherige Ankündigung zu ändern.

RA1500A Series, REV July 2016 © Bosch Automotive Service Solutions GmbH

